

RoHS
COMPLIANT

SPECIFICATIONS

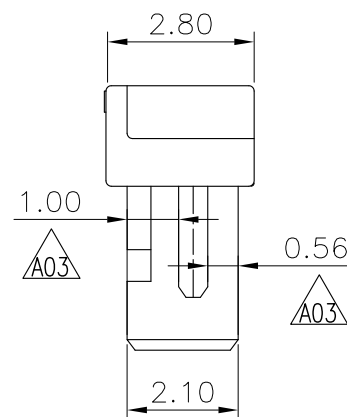
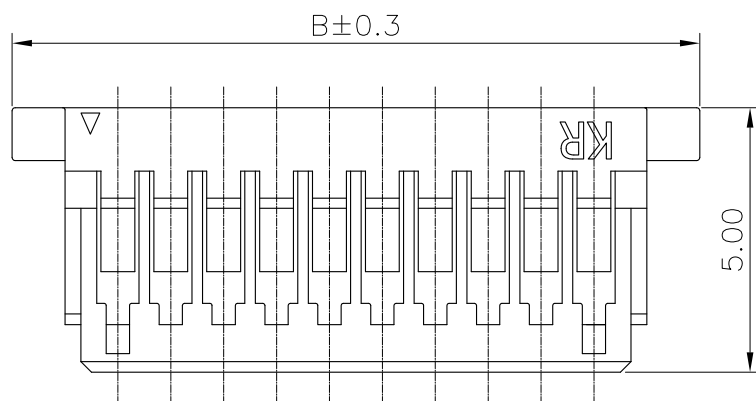
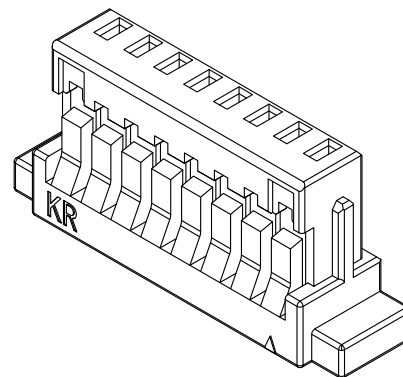
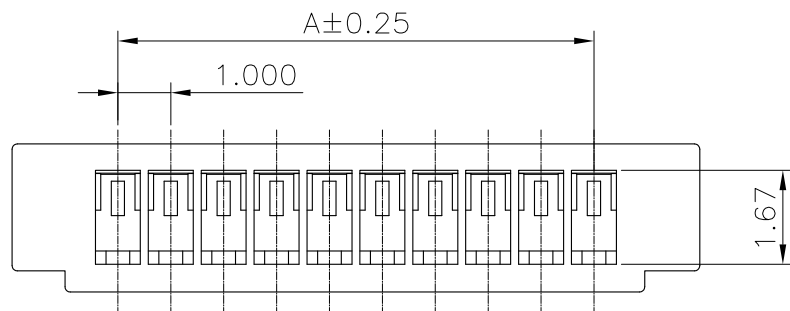
1. Current rating: 1A AC, DC
2. Voltage rating: 50V AC,DC
3. Temperature range: -40°C ~ +105°C
4. Insulation resistance: 100MΩ Min.
5. Withstanding voltage: 500V AC/ minute.
6. Contact resistance: 20mΩ Max.

Material: PBT or PA66 UL 94V-0
Circuits: 2~20
suitable: kr1000 series terminal
Mate With KR1000 series single row wafer

Ordering code:

H10000 *** ** ** A
 No.of Circuits } Type
 102:2,115:15 } 00:HF
 Insulator Material } 01:Standard
 01:PA66 White V0
 02:PA66 Black V0
 24:PBT White

Circuits	Dimensions		Circuits	Dimensions	
	A	B		A	B
2	1.00	5.00	12	11.00	15.00
3	2.00	6.00	13	12.00	16.00
4	3.00	7.00	14	13.00	17.00
5	4.00	8.00	15	14.00	18.00
6	5.00	9.00	16	15.00	19.00
7	6.00	10.00	17	16.00	20.00
8	7.00	11.00	18	17.00	21.00
9	8.00	12.00	19	18.00	22.00
10	9.00	13.00	20	19.00	23.00
11	10.00	14.00			



F	Add KR LOGO	ZSZ	2023.05.30	TOLERANCE X.X ±0.30 X.XX ±0.20 X.XXX ±0.10 Angle ±2°	TITLE: SH 1.0 Housing Have Ear	DRAWN: <i>ZZN</i> 2021.05.19	KONNRA 东莞市康瑞电子有限公司 DongGuan Konnra Electronics Co.,Ltd.
	Uniformly arrange the drawings	Shen	2021.08.23			CHECKED: <i>Shen</i> 2021.08.23	
	Add Dimensions	ZZN	2021.05.19			APPROVED:	
	MARK	REVISION DESCRIPTION	SIGNATURE			DATE	