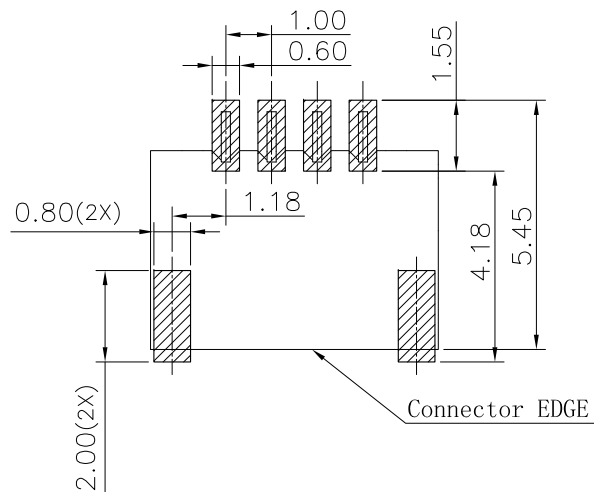
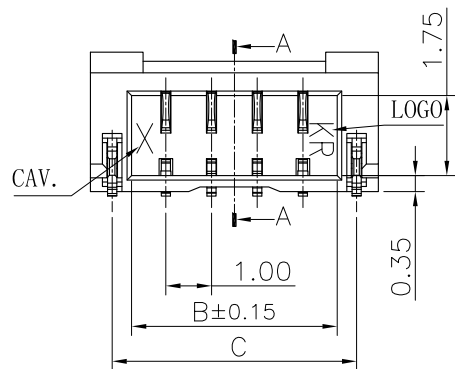
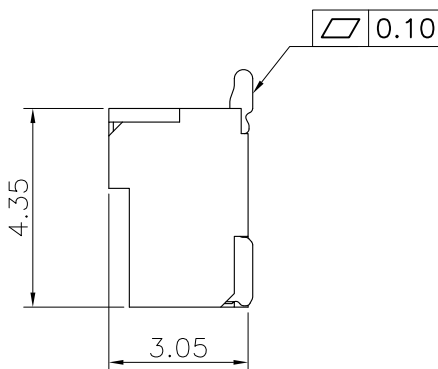
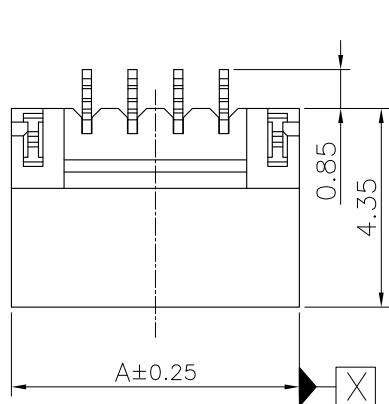


RoHS
COMPLIANT



Recommended P.C.B. Layout
Total tolerance: ±0.05mm

◆ SPECIFICATIONS

Current rating: 1A AC, DC
Voltage rating: 50V AC,DC
Temperature range: -40°C ~ +105°C
Insulation resistance: 100MΩ Min.
Withstanding voltage: 500V AC/ minute.
Contact resistance: 20m Ω Max.

Material:

Insulator: PA9T UL 94V-0
Contact: Copper alloy
Fitting Nail: Copper alloy

Plating: Matte Tin plated over Nickel

Circuits: 2~20

Mates With KR1005 Series Single Row Housing

Ordering code: C1005RS1**11M0102*A

102=2P
103=3P

R:Reel
P:Bag

11P	13.30	11.50	12.35				
10P	12.30	10.50	11.35	20P	22.30	20.50	21.35
9P	11.30	9.50	10.35	19P	21.30	19.50	20.35
8P	10.30	8.50	9.35	18P	20.30	18.50	19.35
7P	9.30	7.50	8.35	17P	19.30	17.50	18.35
6P	8.30	6.50	7.35	16P	18.30	16.50	17.35
5P	7.30	5.50	6.35	15P	17.30	15.50	16.35
4P	6.30	4.50	5.35	14P	16.30	14.50	15.35
3P	5.30	3.50	4.35	13P	15.30	13.50	14.35
2P	4.30	2.50	3.35	12P	14.30	12.50	13.35
PIN	A	B	C	PIN	A	B	C

Dimensions

Dimensions

				TOLERANCE	TITLE:		DRAWN: Shen 2021.12.30		KONNRA 东莞市康瑞电子有限公司	
				X.X ±0.20	SHU1.0 Have Buckle		CHECKED:		DongGuan Konnra Electronics Co.,Ltd.	
				X.XX ±0.10	SMT 90° WF B TYPE		APPROVED:		PART NO.: C1005RS1**11M0102*A	
				X.XXX ±0.05			SHEET: 1/1		REV.: A1	
				Angle ±2°	UNIT:mm		SCALE: 1/1		DRAWING NO.: 1005WFHS02-A-S	
MARK	REVISION DESCRIPTION	SIGNATURE	DATE							

1

2

3

4

5

6

7

8

9