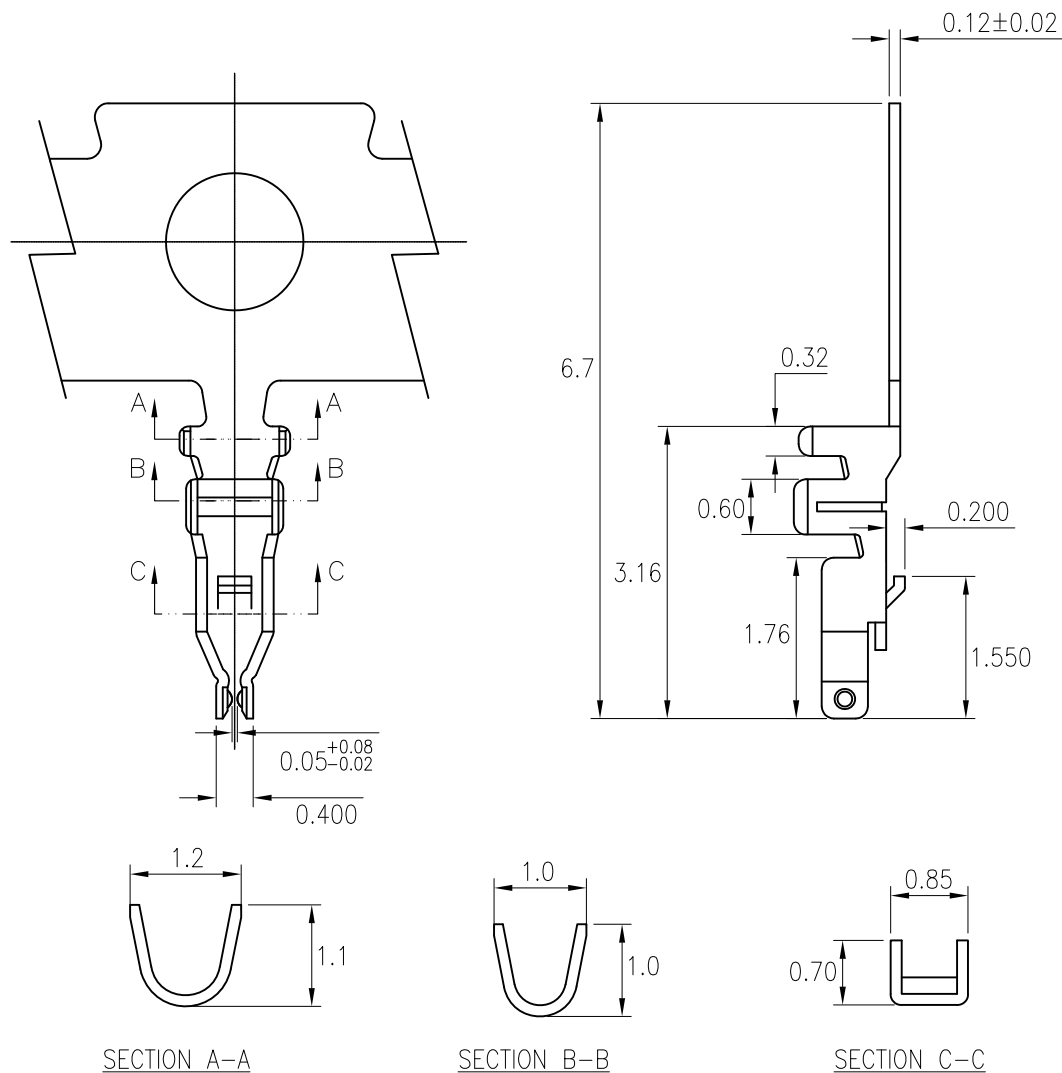


RoHS
COMPLIANT



◆ SPECIFICATIONS

- Current rating: 1.5A AC, DC
- Voltage rating: 50V AC, DC
- Temperature range: -40°C ~ +105°C
- Insulation resistance: 100MΩ Min.
- Withstanding voltage: 500V AC/ minute.
- Contact resistance: 20m Ω Max.

Applicable Wires:

AWG#28~#30

Insulation O.D. : 0.75mm MAX

Material: Phosphor Bronze

Finish: Gold-plated over Nickel

Suitable: 1200 series Crimp Housing

Q'ty: 25,000 PCS/Reel

Ordering Code:

T12000P***01A

G02: Au 1u"

F				TOLERANCE	TITLE:	DRAWN:	KONNRA 东莞市康瑞电子有限公司 DongGuan Konnra Electronics Co.,Ltd. PART NO.: T12000P***01A REV.: A4 DRAWING NO.: 1200T101-A-S			
	△	Uniformly arrange the drawings	Shen	2021.10.11	MX1.2 Terminal	CHECKED:				
	△	Change the part number and frame format	TLX	2020.05.09		APPROVED:				
	MARK	REVISION DESCRIPTION	SIGNATURE	DATE		UNIT:mm				SCALE: 1/1
	1	2	3	4	5	6	7	8	9	