

RoHS
COMPLIANT

SPECIFICATIONS

1. Current rating: 1A AC, DC
2. Voltage rating: 150V AC,DC
3. Temperature range: -40°C ~ +105°C
4. Insulation resistance: 500MΩ Min.
5. Withstanding voltage: 500V AC/ minute.
6. Contact resistance: 30mΩ Max.

Material:

Insulator: PA6T UL 94V-0
Contact: Brass
Plating: Gold flash over Nickel
Mate with KR1256 series Housing

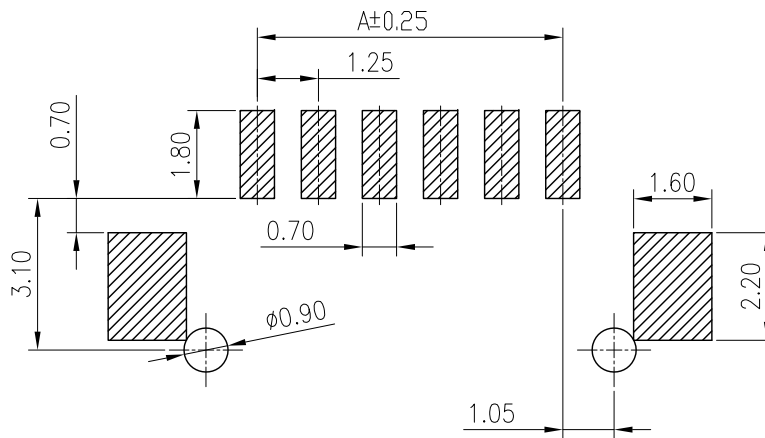
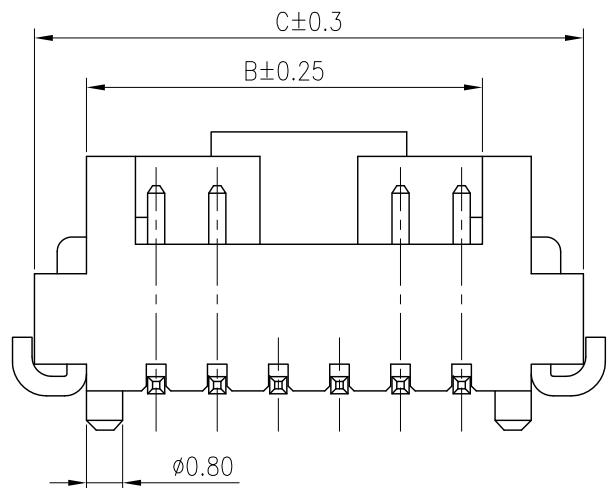
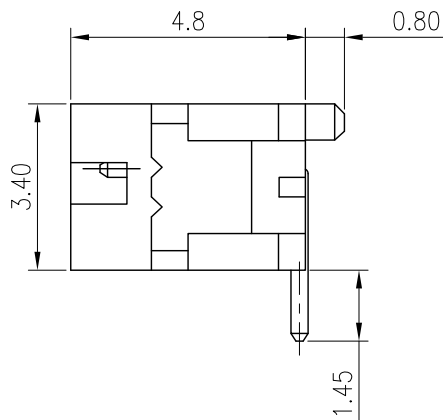
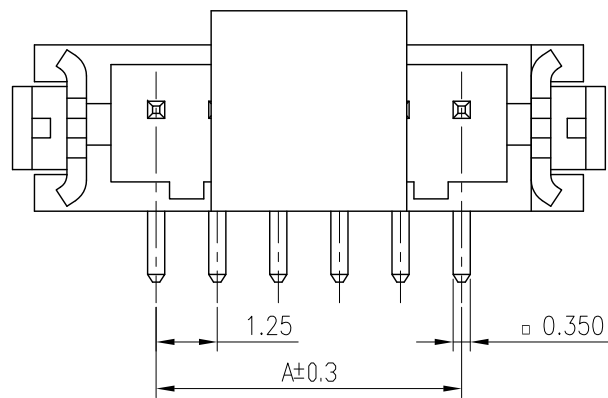
C1256VS *** 09 G01 01 RA

No.of Circuits

102:2P

115:15P

Circuits	Dimensions		
	A	B	C
2	1.25	4.15	6.25
3	2.50	5.40	7.50
4	3.75	6.65	8.75
5	5.00	7.90	10.00
6	6.25	9.15	11.25
7	7.50	10.40	12.50
8	8.75	11.65	13.75
9	10.00	12.90	15.00
10	11.25	14.15	16.25
11	12.50	15.40	17.50
12	13.75	16.65	18.75
13	15.00	17.90	20.00
14	16.25	19.15	21.25
15	17.50	20.40	22.50



Recommended P.C.B. Layout
Total tolerance:±0.05mm

F		Uniformly arrange the drawings	Shen	2021.08.31	TOLERANCE X.X ±0.30 X.XX ±0.20 X.XXX ±0.10 Angle ±2°	TITLE: DF13 SMT 180° Wafer		DRAWN: Shen 2021.08.31		KONNRA 东莞市康瑞电子有限公司 DongGuan Konnra Electronics Co.,Ltd. PART NO.: C1256VS***09G0101RA REV.: A3 DRAWING NO.: 1256WVS101-A-S					
		Change the part number and frame format	LJT	2020.04.24				CHECKED:							
	MARK		REVISION DESCRIPTION	SIGNATURE				DATE	APPROVED:				SHEET: 1/1	PROJECTION	
	1	2	3	4				5	6				7	8	9