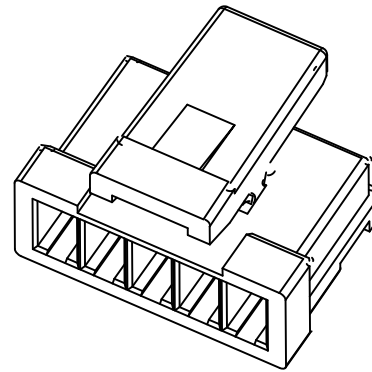
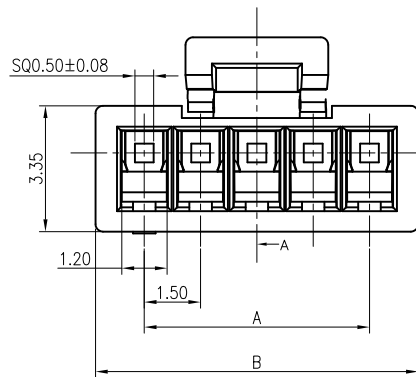
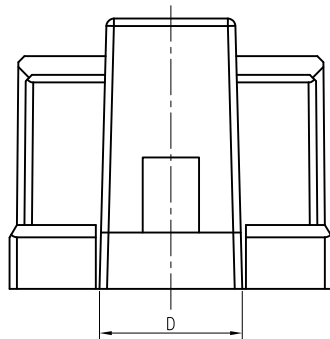
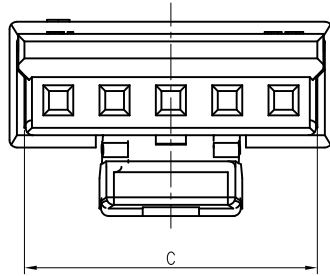
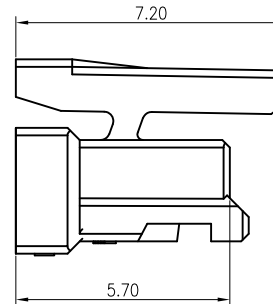


**RoHS**  
COMPLIANT



3D View



◆ SPECIFICATIONS

- Current rating: 2.5A AC, DC
- Voltage rating: 250V AC, DC
- Temperature range: -40°C ~ +105°C
- Insulation resistance: 1000MΩ Min.
- Withstanding voltage: 500V AC/ minute.
- Contact resistance: 20mΩ Max.

Material: Insulator: Nylon 66 UL 94V-0  
Suitable KR1500 Series Terminal  
Mates With KR1500 Series Wafer

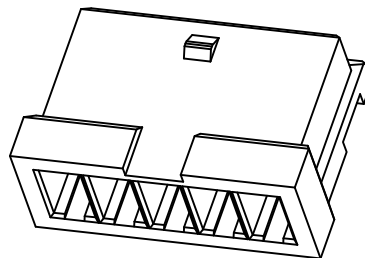
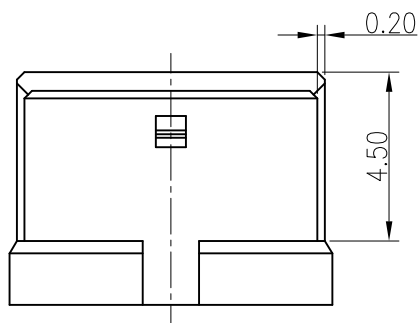
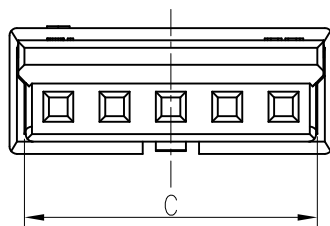
Ordering Code:

H150001\*\*010\*A  
 102=2P ——— 00:Have buckle Halogen free A04  
                   02:Have buckle  
 103=3P... — 01:PA66 UL94 V-0 white  
                   02:PA66 UL94 V-0 black

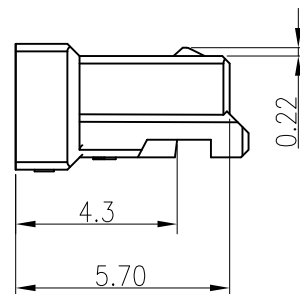
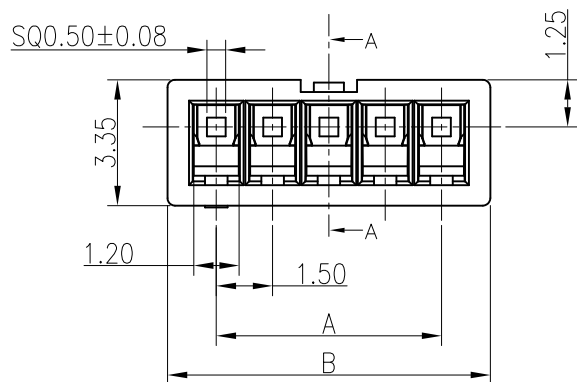
Dimensions				
Pin	A	B	C	D
2P	1.50	4.10	3.30	2.40
3P	3.00	5.60	4.80	2.40
4P	4.50	7.10	6.30	3.80
5P	6.00	8.60	7.80	3.80
6P	7.50	10.10	9.30	3.80
7P	9.00	11.60	10.80	3.80
8P	10.50	13.10	12.30	5.80
9P	12.00	14.60	13.80	5.80
10P	13.50	16.10	15.30	5.80
11P	15.00	17.60	16.80	5.80
12P	16.50	19.10	18.30	5.80
13P	18.00	20.60	19.80	5.80
14P	19.50	22.10	21.30	5.80
15P	21.00	23.60	22.80	5.80

F		Add specification	ZSZ	2024.01.15	TOLERANCE X.X ±0.30 X.XX ±0.20 X.XXX ±0.10 Angle ±2°	TITLE: MX1.5 Housing Have Buckle	DRAWN: Shen 2021.09.28		东莞市康瑞电子有限公司 DongGuan Konnra Electronics Co.,Ltd. PART NO.: H150001**010*A	
		Uniformly arrange the drawings	Shen	2021.09.28			CHECKED:			
		Change the part number and frame format	TLX	2020.03.28			APPROVED:			
MARK	REVISION DESCRIPTION	SIGNATURE	DATE	UNIT:mm	SCALE:1/1	SHEET:1/1	PROJECTION	REV.:A04	DRAWING NO.:1500H02-A-S	

**RoHS**  
COMPLIANT  
**Red P**  
COMPLIANT



3D View



◆ SPECIFICATIONS

- Current rating: 2.5A AC, DC
- Voltage rating: 250V AC,DC
- Temperature range: -40°C ~ +105°C
- Insulation resistance: 1000MΩ Min.
- Withstanding voltage: 500V AC/ minute.
- Contact resistance: 20mΩ Max.

Material: Insulator: Nylon 66 UL 94V-0  
Suitable KR1500 Series Terminal  
Mates With KR1500 Series Wafer

Ordering Code:

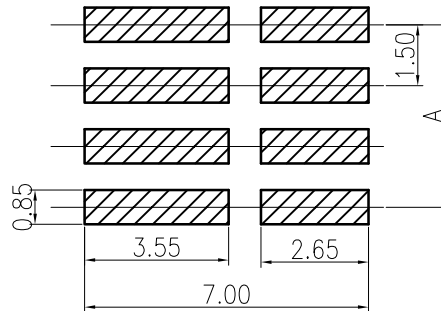
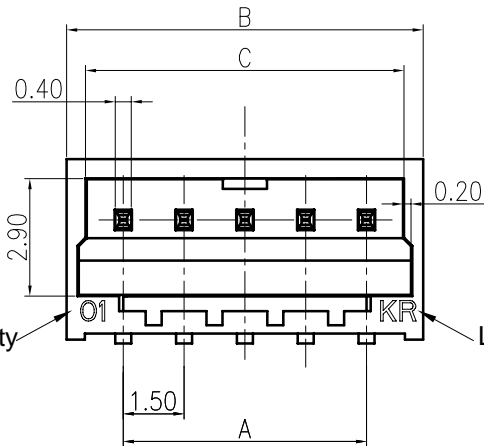
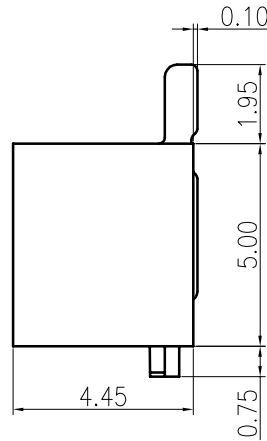
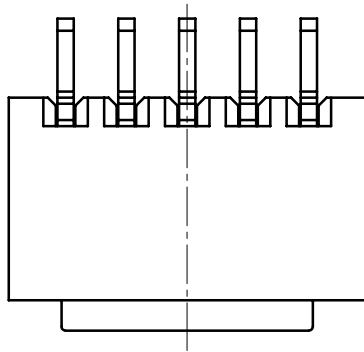
H15000 1\*\* 0\* 0\* A  
 102=2P  
 103=3P.....  
 01:Conventional products  
 11:adding glass fiber  
 10:Halogen free  
 01:PA66 UL94 V-0 white  
 02:PA66 UL94 V-0 black

Dimensions				
Pin	A	B	C	D
2P	1.50	4.10	3.30	2.40
3P	3.00	5.60	4.80	2.40
4P	4.50	7.10	6.30	3.80
5P	6.00	8.60	7.80	3.80
6P	7.50	10.10	9.30	3.80
7P	9.00	11.60	10.80	3.80
8P	10.50	13.10	12.30	5.80
9P	12.00	14.60	13.80	5.80
10P	13.50	16.10	15.30	5.80
11P	15.00	17.60	16.80	5.80
12P	16.50	19.10	18.30	5.80
13P	18.00	20.60	19.80	5.80
14P	19.50	22.10	21.30	5.80
15P	21.00	23.60	22.80	5.80

F		Add specification	ZSZ	2024.01.15	TOLERANCE X.X ±0.30 X.XX ±0.20 X.XXX ±0.10 Angle ±2°	TITLE: MX1.5 Housing	DRAWN: Shen 2021.09.28		KONNRA 东莞市康瑞电子有限公司	
		Add specification	ZSZ	2022.09.28			CHECKED:		DongGuan Konnra Electronics Co.,Ltd.	
		Uniformly arrange the drawings	Shen	2021.09.28			APPROVED:		PART NO.: H150001**0***A	
	MARK	REVISION DESCRIPTION	SIGNATURE	DATE			UNIT:mm	SCALE:1/1	SHEET:1/1	PROJECTION



RoHS  
COMPLIANT



P.C.Board Layout

SPECIFICATIONS

1. Current rating: 2.5A Max. AC, DC
2. Voltage rating: 250V AC,DC
3. Temperature range: -40°C ~ +105°C
4. Insulation resistance:1000MΩ Min.
5. Withstanding voltage: 500V AC/ minute.
6. Contact resistance: 20mΩ Max.

Material:

Insulator: LCP UL 94V-0  
Contact: Brass  
Plating: Tin plated over Nickel  
Suitable: KR1500 series Housing

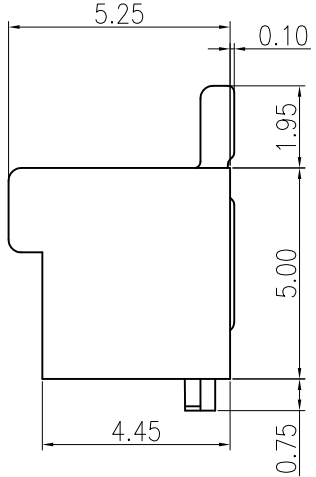
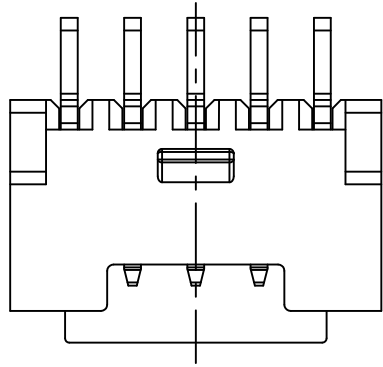
Ordering Code:

C1500RS 1\*\* 13 M01 01 R A  
02: 2P  
15: 15P  
13: LCP Natural  
M01: Matte tin  
R: Reel  
P: Bag

Dimensions				
Pin	A	B	C	
2P	1.50	4.30	3.35	
3P	3.00	5.80	4.85	
4P	4.50	7.30	6.35	
5P	6.00	8.80	7.85	
6P	7.50	10.30	9.35	
7P	9.00	11.80	10.85	
8P	10.50	13.30	12.35	
9P	12.00	14.80	13.85	
10P	13.50	16.30	15.35	
11P	15.00	17.80	16.85	
12P	16.50	19.30	18.35	
13P	18.00	20.80	19.85	
14P	19.50	22.30	21.35	
15P	21.00	23.80	22.85	

F	Uniform identification and cavity number locations	Arvin	2022.05.30	<b>TOLERANCE</b> X.X ±0.30 X.XX ±0.20 X.XXX ±0.10 Angle ±2°	<b>TITLE:</b> MK1.5 SMT 90° Wafer	DRAWN: Shen 2021.10.15		<b>KONNRA</b> 东莞市康瑞电子有限公司 DongGuan Konnra Electronics Co., Ltd.	
	Uniformly arrange the drawings	Shen	2021.10.15			CHECKED:			
	Change the part number and frame format	Ru yi	2020.3.10			APPROVED:			
	<b>MARK</b>	<b>REVISION DESCRIPTION</b>	<b>SIGNATURE</b>			<b>DATE</b>	<b>UNIT: mm</b>		

RoHS  
COMPLIANT



◆ SPECIFICATIONS

- Current rating: 2.5A AC, DC
- Voltage rating: 250V AC, DC
- Temperature range: -40°C ~ +105°C
- Insulation resistance: 1000MΩ Min.
- Withstanding voltage: 500V AC/ minute.
- Contact resistance: 20mΩ Max.

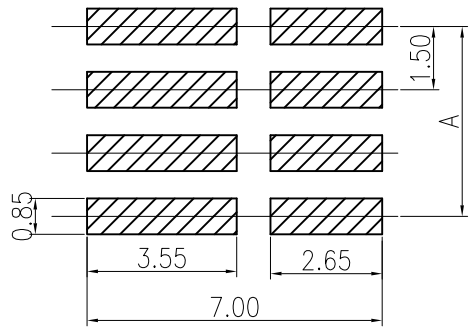
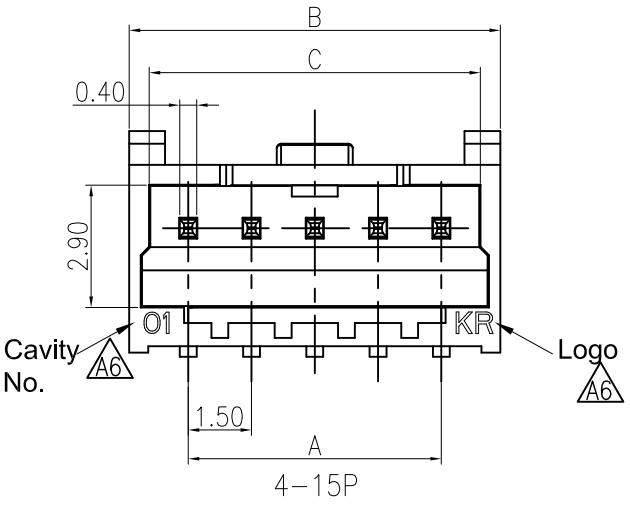
Material:

Insulator: LCP UL 94V-0  
Contact: Brass  
Plating: Tin plated over Nickel  
Suitable: KR1500 series Housing

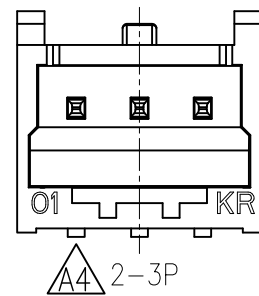
C1500RS1\*\*09M0102RA

- 02: 2P
- 16: 16P
- 13: LCP NATURAL
- 14: LCP Black
- R: REEL
- P: BAG
- 02: routine
- 07: Halogen free with buckle

- M01: MATTE TIN
- G01: Gold flash



P.C.Board Layout



Dimensions			
Pin	A	B	C
2P	1.50	4.30	3.35
3P	3.00	5.80	4.85
4P	4.50	7.30	6.35
5P	6.00	8.80	7.85
6P	7.50	10.30	9.35
7P	9.00	11.80	10.85
8P	10.50	13.30	12.35
9P	12.00	14.80	13.85
10P	13.50	16.30	15.35
11P	15.00	17.80	16.85
12P	16.50	19.30	18.35
13P	18.00	20.80	19.85
14P	19.50	22.30	21.35
15P	21.00	23.80	22.85

F	△A07	Add specification	ZSZ	2023.8.23	TOLERANCE X.X ±0.30 X.XX ±0.20 X.XXX ±0.10 Angle ±2°	TITLE: MX1.5 Have buckle SMT 90°Wafer	DRAWN: Shen 2021.10.15	KONNRA 东莞市康瑞电子有限公司 DongGuan Konnra Electronics Co.,Ltd.		
	△A6	Uniform identification and cavity number locations	Arvin	2022.05.30						
	△A5	Uniformly arrange the drawings	Ru yi	2020.3.10						
	MARK	REVISION DESCRIPTION	SIGNATURE	DATE						
	1	2	3	4	UNIT:mm	SCALE:1/1	SHEET:1/1	PROJECTION	REV.:A07	DRAWING NO.:1500WHS02-A-S

**RoHS**  
COMPLIANT

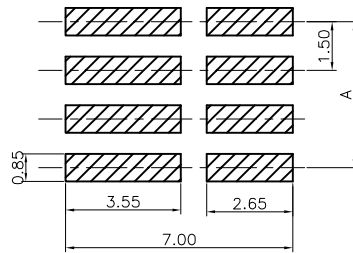
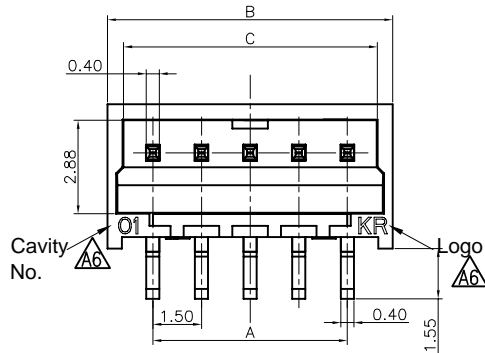
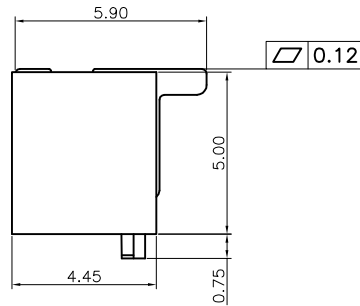
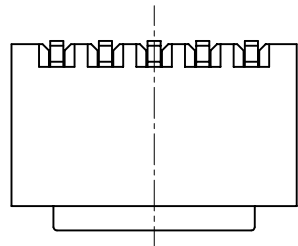
◆ SPECIFICATIONS

- Current rating: 2.5A AC, DC
- Voltage rating: 250V AC, DC
- Temperature range: -40°C ~ +105°C
- Insulation resistance: 1000MΩ Min.
- Withstanding voltage: 500V AC/ minute.
- Contact resistance: 20mΩ Max.

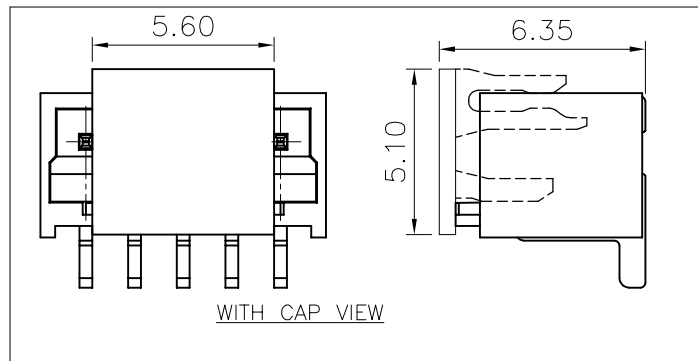
Material:

Insulator: LCP UL 94V-0  
Contact: Brass  
Plating: Tin plated over Nickel  
Suitable: KR1500 series Housing

C1500VS \*\*\*13M0101RA  
102: 2P  
115: 15P  
13: LCP NATURAL  
M01: MITTE TIN  
G01: G/F



P.C.Board Layout



Dimensions			
Pin	A	B	C
2P	1.50	4.30	3.35
3P	3.00	5.80	4.85
4P	4.50	7.30	6.35
5P	6.00	8.80	7.85
6P	7.50	10.30	9.35
7P	9.00	11.80	10.85
8P	10.50	13.30	12.35
9P	12.00	14.80	13.85
10P	13.50	16.30	15.35
11P	15.00	17.80	16.85
12P	16.50	19.30	18.35
13P	18.00	20.80	19.85
14P	19.50	22.30	21.35
15P	21.00	23.80	22.85

F		Uniform identification and cavity number locations	Arvin	2022.05.30	TOLERANCE X.X ±0.30 X.XX ±0.20 X.XXX ±0.10 Angle ±2°	TITLE: MK1.5 SMT 180° Wafer	DRAWN: ru yi 2020.03.10		KONNRA 东莞市康瑞电子有限公司 DongGuan Konnra Electronics Co., Ltd.	
		Uniformly arrange the drawings	Shen	2022.03.15			CHECKED:			
MARK		REVISION DESCRIPTION	SIGNATURE	DATE	UNIT: mm	SCALE: N/A	SHEET: 1/1	PROJECTION	REV.: A6	DRAWING NO.: 1500WS01-A-S

**RoHS**  
COMPLIANT

◆ SPECIFICATIONS

- Current rating: 2.5A AC, DC
- Voltage rating: 250V AC, DC
- Temperature range: -40°C ~ +105°C
- Insulation resistance: 1000MΩ Min.
- Withstanding voltage: 500V AC/ minute.
- Contact resistance: 20mΩ Max.

Material:

Insulator: LCP UL 94V-0

Contact: Brass

Plating: Tin plated over Nickel

Suitable: KR1500 series Housing

C1500VS \*\*\*13M0102RA

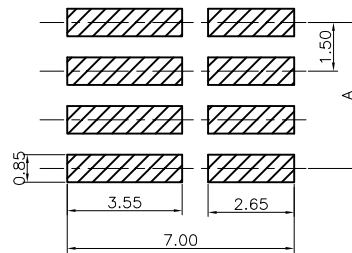
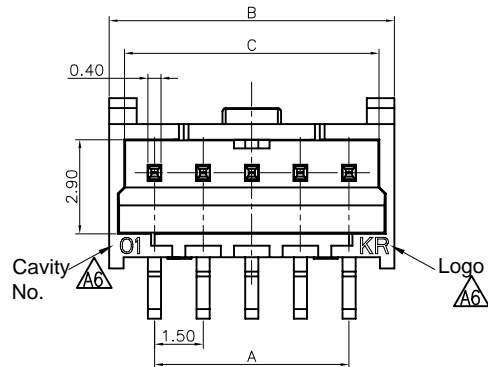
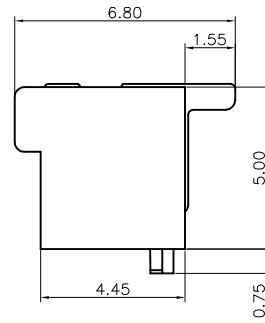
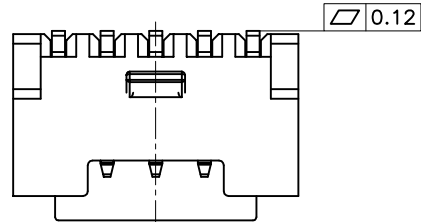
102: 2P

115: 15P

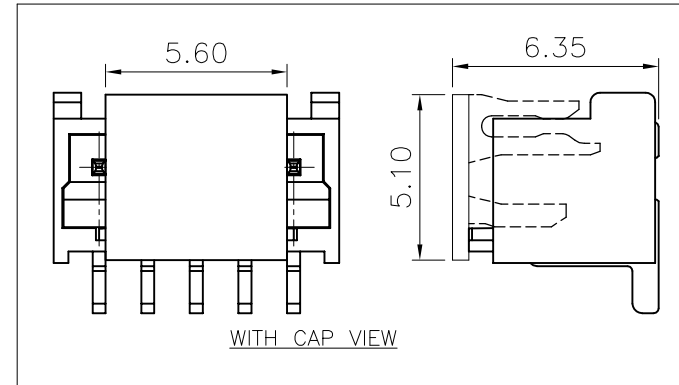
13: LCP NATURAL

M01: MITTE TIN

G01: G/F



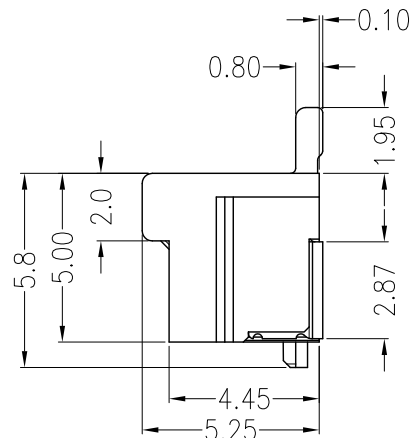
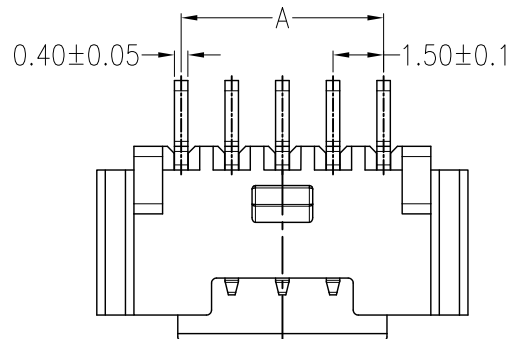
P.C.Board Layout



Dimensions			
Pin	A	B	C
2P	1.50	4.30	3.35
3P	3.00	5.80	4.85
4P	4.50	7.30	6.35
5P	6.00	8.80	7.85
6P	7.50	10.30	9.35
7P	9.00	11.80	10.85
8P	10.50	13.30	12.35
9P	12.00	14.80	13.85
10P	13.50	16.30	15.35
11P	15.00	17.80	16.85
12P	16.50	19.30	18.35
13P	18.00	20.80	19.85
14P	19.50	22.30	21.35
15P	21.00	23.80	22.85

F		Uniform identification and cavity number locations	Arvin	2022.05.30	TOLERANCE X.X ±0.30 X.XX ±0.20 X.XXX ±0.10 Angle ±2°	TITLE: MK1.5 SMT 180° Wafer Have Buckle	DRAWN: ru yi 2020.03.10		KONNRA 东莞市康瑞电子有限公司 DongGuan Konnra Electronics Co., Ltd.		
		Uniformly arrange the drawings	Shen	2022.03.15			CHECKED:				
MARK	REVISION DESCRIPTION	SIGNATURE	DATE	UNIT: mm	SCALE: N/A	SHEET: 1/1	PROJECTION	REV.: A6	PART NO.: C1500VS***13M0102RA		
1	2	3	4	5	6	7	8	DRAWING NO.: 1500WS02-A-S			

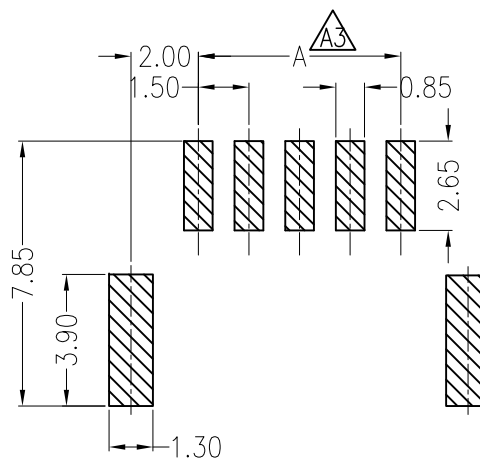
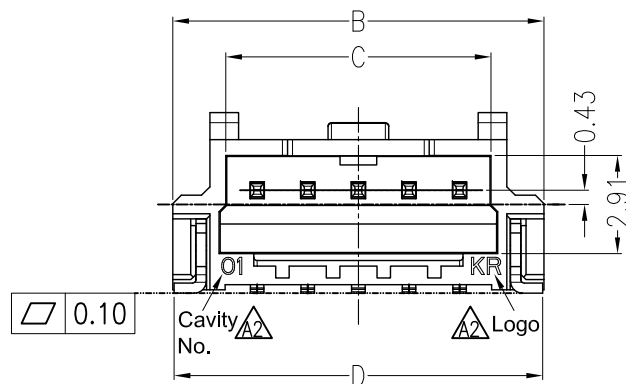
**RoHS**  
COMPLIANT



- ◆SPECIFICATIONS
- Current rating: 2.5A AC, DC
  - Voltage rating: 250V AC,DC
  - Temperature range: -25°C ~ +85°C
  - Insulation resistance:1000MΩ Min.
  - Withstanding voltage: 500V AC/ minute.
  - Contact resistance: 20mΩ Max.

Material:  
Insulator: LCP UL 94V-0  
Contact: Brass  
Plating: Tin plated over Nickel  
Suitable: KR1500 series Housing

**C1500RS1\*\*13M0112RA**  
02: 2P  
16: 16P  
13: LCP Nature  
M01: Tin Plating  
R: Reel Package  
With Ground and clip



Recommended P.C.B. Layout  
Total tolerance:±0.05mm

PIN NO.	DIMENSIONS			
	A	B	C	D
02P	1.50	6.50	3.35	6.42
03P	3.00	8.00	4.85	7.92
04P	4.50	9.50	6.35	9.42
05P	6.00	11.00	7.85	10.92
06P	7.50	12.50	9.35	12.42
07P	9.00	14.00	10.85	13.92
08P	10.50	15.50	12.35	15.42
09P	12.00	17.00	13.85	16.92
10P	13.50	18.50	15.35	18.42
11P	15.00	20.00	16.85	19.92
12P	16.50	21.50	18.35	21.42
13P	18.00	23.00	19.85	22.92
14P	19.50	24.50	21.35	24.42
15P	21.00	26.00	22.35	25.92

F		Corrected the P.C.B Dimension	Arvin	2023.01.30	TOLERANCE X.X ±0.30 X.XX ±0.25 X.XXX ±0.10 Angle ±3°	TITLE: MX1.5_WF_SMT 90° _B TYPE	DRAWN: ZZN 2021.08.17		KONNRA 东莞市康瑞电子有限公司 DongGuan Konnra Electronics Co.,Ltd.	
		Uniform identification and cavity number locations	Arvin	2022.05.30			CHECKED:		PART NO.:See Table	
		The First Issue	ZZN	2021.08.17			APPROVED:		REV.:A3	
MARK	REVISION DESCRIPTION	SIGNATURE	DATE	UNIT:mm	SCALE:1:1	SHEET:1/1	PROJECTION	REV.:A3	DRAWING NO.:1500WHS12-A-S	



RoHS  
COMPLIANT

◆ SPECIFICATIONS

- Current rating: 2.5A AC, DC
- Voltage rating: 250V AC, DC
- Temperature range: -25°C ~ +85°C
- Insulation resistance: 1000MΩ Min.
- Withstanding voltage: 500V AC/ minute.
- Contact resistance: 20mΩ Max.

Material:

Insulator: Nylon 6T UL 94V-0

Contact: Brass

Plating: Tin plated over Nickel

Suitable: KR1500 series Housing

C1500VS1\*\*13M0112RA

02: 2P

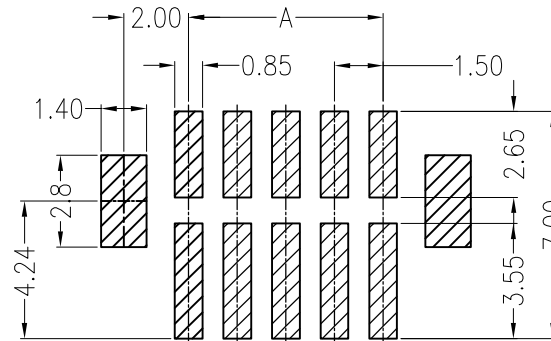
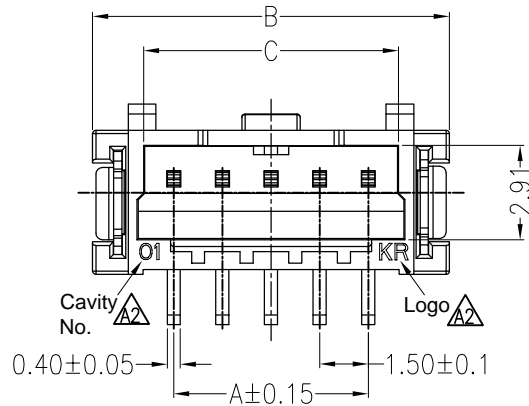
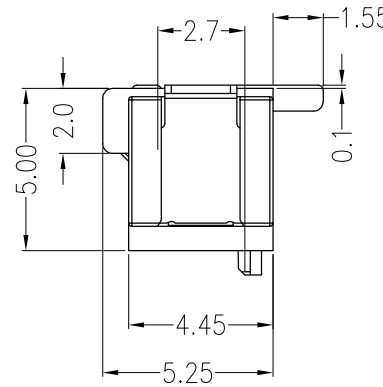
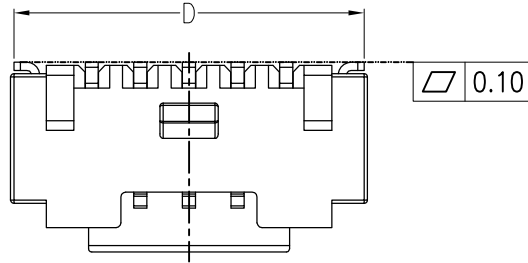
16: 16P

13: LCP Nature

M01: Tin Plating

R: Reel Package

With Ground and clip



Recommended P.C.B. Layout  
Total tolerance: ±0.05mm

PIN NO.	DIMENSIONS			
	A	B	C	D
02P	1.50	6.50	3.35	6.30
03P	3.00	8.00	4.85	7.80
04P	4.50	9.50	6.35	9.30
05P	6.00	11.00	7.85	10.80
06P	7.50	12.50	9.35	12.30
07P	9.00	14.00	10.85	13.80
08P	10.50	15.50	12.35	15.30
09P	12.00	17.00	13.85	16.80
10P	13.50	18.50	15.35	18.30
11P	15.00	20.00	16.85	19.80
12P	16.50	21.50	18.35	21.30
13P	18.00	23.00	19.85	22.80
14P	19.50	24.50	21.35	24.30
15P	21.00	26.00	22.35	25.80

F		Uniform identification and cavity number locations	Arvin	2022.05.30	TOLERANCE X. X ±0.30 X. XX ±0.25 X. XXX ±0.10 Angle ±3°	TITLE: MX 1.5_WF SMT 180° _B TYPE	DRAWN: ZZN 2021.07.27		KONNRA 东莞市康瑞电子有限公司 DongGuan Konnra Electronics Co., Ltd.	
		The First Issue	ZZN	2021.07.27			CHECKED:		APPROVED:	
MARK	REVISION DESCRIPTION	SIGNATURE	DATE	UNIT: mm	SCALE: 1:1	SHEET: 1/1	PROJECTION	REV. : A2	DRAWING NO. : 1500WS12-A-S	
1	2	3	4	5	6	7	8	9		