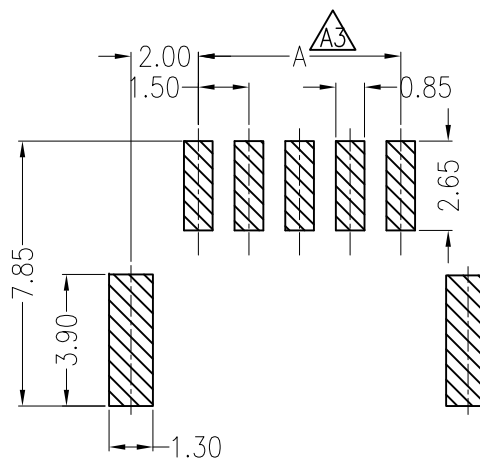
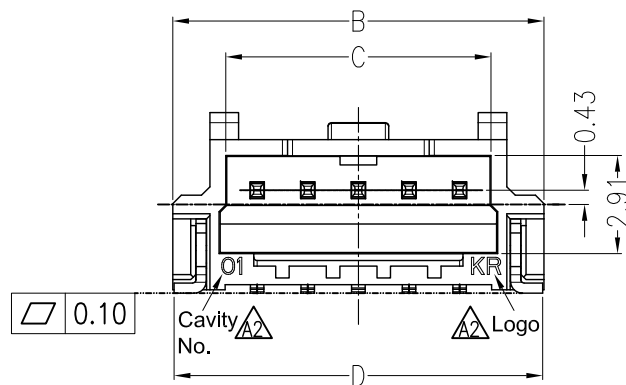
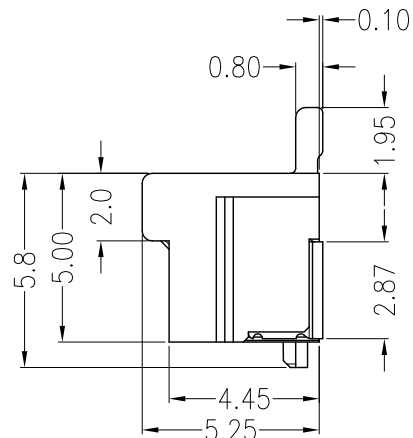
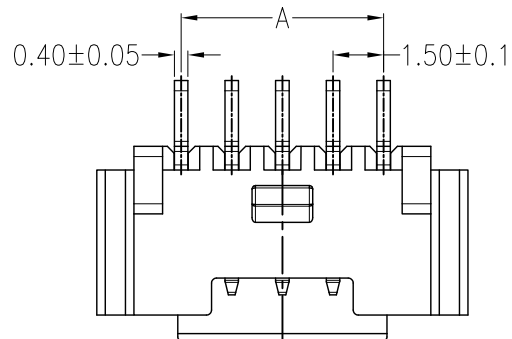


**RoHS**  
COMPLIANT



Recommended P.C.B. Layout  
Total tolerance:±0.05mm

- ◆SPECIFICATIONS
- Current rating: 2.5A AC, DC
  - Voltage rating: 250V AC,DC
  - Temperature range: -25°C ~ +85°C
  - Insulation resistance:1000MΩ Min.
  - Withstanding voltage: 500V AC/ minute.
  - Contact resistance: 20mΩ Max.

Material:  
Insulator: LCP UL 94V-0  
Contact: Brass  
Plating: Tin plated over Nickel  
Suitable: KR1500 series Housing

C1500RS1\*\*13M0112RA

02: 2P R: Reel Package

16: 16P With Ground and clip

13: LCP Nature

M01: Tin Plating

| PIN NO. | DIMENSIONS |       |       |       |
|---------|------------|-------|-------|-------|
|         | A          | B     | C     | D     |
| 02P     | 1.50       | 6.50  | 3.35  | 6.42  |
| 03P     | 3.00       | 8.00  | 4.85  | 7.92  |
| 04P     | 4.50       | 9.50  | 6.35  | 9.42  |
| 05P     | 6.00       | 11.00 | 7.85  | 10.92 |
| 06P     | 7.50       | 12.50 | 9.35  | 12.42 |
| 07P     | 9.00       | 14.00 | 10.85 | 13.92 |
| 08P     | 10.50      | 15.50 | 12.35 | 15.42 |
| 09P     | 12.00      | 17.00 | 13.85 | 16.92 |
| 10P     | 13.50      | 18.50 | 15.35 | 18.42 |
| 11P     | 15.00      | 20.00 | 16.85 | 19.92 |
| 12P     | 16.50      | 21.50 | 18.35 | 21.42 |
| 13P     | 18.00      | 23.00 | 19.85 | 22.92 |
| 14P     | 19.50      | 24.50 | 21.35 | 24.42 |
| 15P     | 21.00      | 26.00 | 22.35 | 25.92 |

|      |                      |  |       |            |  |                                       |                       |         |  |  |
|------|----------------------|--|-------|------------|--|---------------------------------------|-----------------------|---------|--|--|
| F    |                      | Corrected the P.C.B Dimension                      | Arvin | 2023.01.30 | TOLERANCE<br>X.X ±0.30<br>X.XX ±0.25<br>X.XXX ±0.10<br>Angle ±3° | TITLE:<br>MX1.5_WF_SMT 90°<br>_B TYPE | DRAWN: ZZN 2021.08.17 |         | KONNRA 东莞市康瑞电子有限公司<br>DongGuan Konnra Electronics Co.,Ltd. |  |
|      |                      | Uniform identification and cavity number locations | Arvin | 2022.05.30 |  |                                       | CHECKED:              |         | PART NO.:See Table   |  |
|      |                      | The First Issue                                    | ZZN   | 2021.08.17 |  |                                       | APPROVED:             |         | REV.:A3  |  |
| MARK | REVISION DESCRIPTION | SIGNATURE  | DATE  | UNIT:mm    | SCALE:1:1  | SHEET:1/1                             | PROJECTION            | REV.:A3 | DRAWING NO.:1500WHS12-A-S                                  |  |