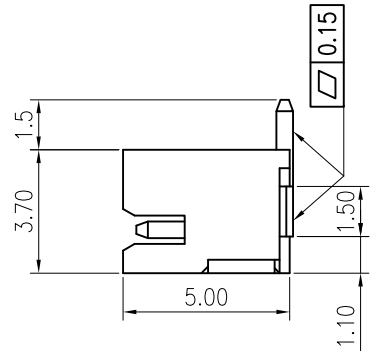
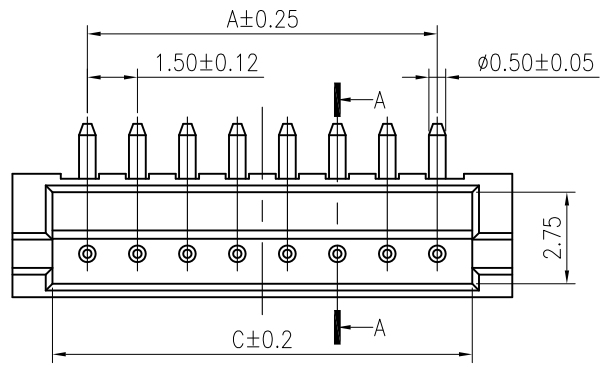


RoHS
COMPLIANT

- ◆ SPECIFICATIONS
- Current rating: 1A AC, DC
 - Voltage rating: 100V AC, DC
 - Temperature range: -40°C ~ +105°C
 - Insulation resistance: 500MΩ Min.
 - Withstanding voltage: 500V AC/ minute.
 - Contact resistance: 20mΩ Max.
- Material:
 Insulator: Nylon 9T UL 94V-0
 Contact: Brass
 Plating: Tin plated over Nickel
 Mates with KR1501 series housing

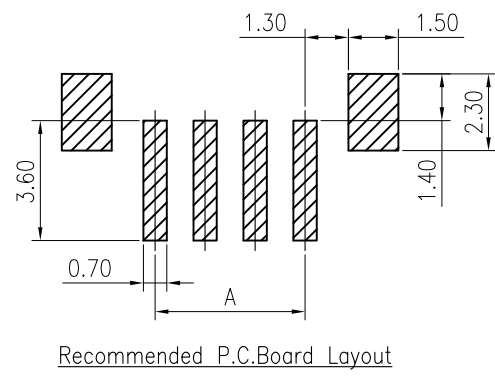
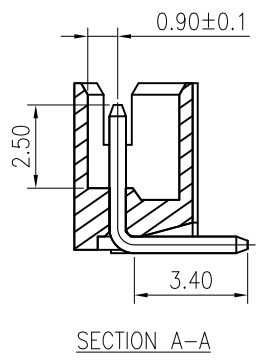
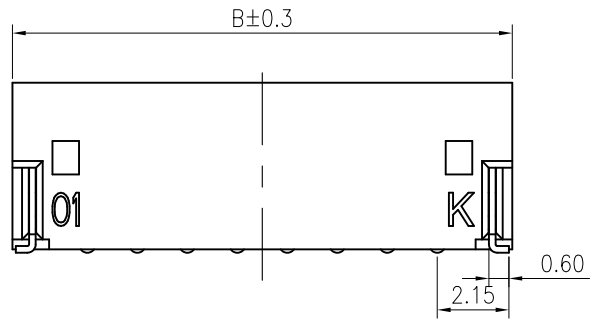


C1501VS1****M01 ** RA

No. of Circuits ————
 102:2
 116:16

Insulator Material ————
 11:PA9T Natural
 12:PA9T black

————— 01:Standard
 03:Heat sealing
 04:Special cover



CKT.	A	B	C
2	1.50	6.00	3.60
3	3.00	7.50	5.10
4	4.50	9.00	6.60
5	6.00	10.50	8.10
6	7.50	12.00	9.60
7	9.00	13.50	11.10
8	10.50	15.00	12.60
9	12.00	16.50	14.10
10	13.50	18.00	15.60
11	15.00	19.50	17.10
12	16.50	21.00	18.60
13	18.00	22.50	20.10
14	19.50	24.00	21.60
15	21.00	25.50	23.10
16	22.50	27.00	24.60

F		Uniformly arrange the drawings	Shen	2021.09.22	TOLERANCE X.X ±0.30 X.XX ±0.20 X.XXX ±0.10 Angle ±3°	TITLE: ZH1.5 SMT 180°WF	DRAWN: Shen 2021.09.22		KONNRA 东莞市康瑞电子有限公司 DongGuan Konnra Electronics Co.,Ltd.					
		Change the part number and frame format	TLX	2020.03.25			CHECKED:					PART NO.: C1501VS1****M01**RA		
	MARK	REVISION DESCRIPTION	SIGNATURE	DATE			UNIT:mm	SCALE:1/1				SHEET:1/1	PROJECTION	REV.:A3
	1	2	3	4	5	6	7	8	9					