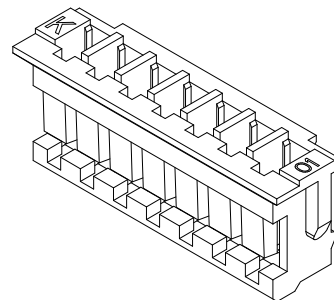
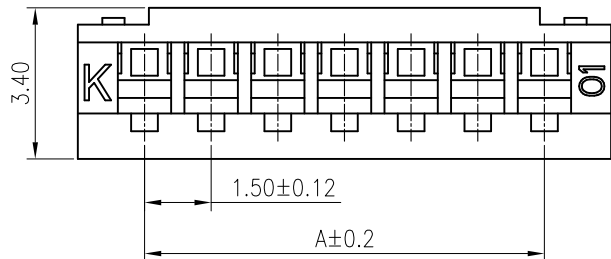


RoHS
COMPLIANT



◆ SPECIFICATIONS

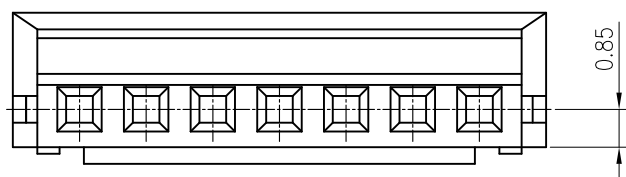
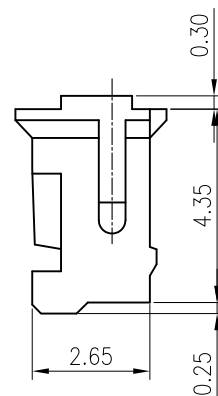
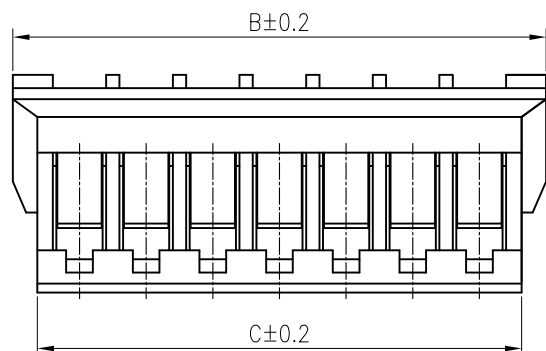
- Current rating: 1A AC, DC
- Voltage rating: 100V AC, DC
- Temperature range: -40°C ~ +105°C
- Insulation resistance: 500MΩ Min.
- Withstanding voltage: 500V AC/ minute.
- Contact resistance: 20mΩ Max.

Material: Nylon 66 UL 94V-0
Suitable KR1501 series terminal
mates with KR1501 series wafer

Ordering Code:

H150101****0*A
 102=2P 00:Halogen free
 103=3P 01:Conventional products

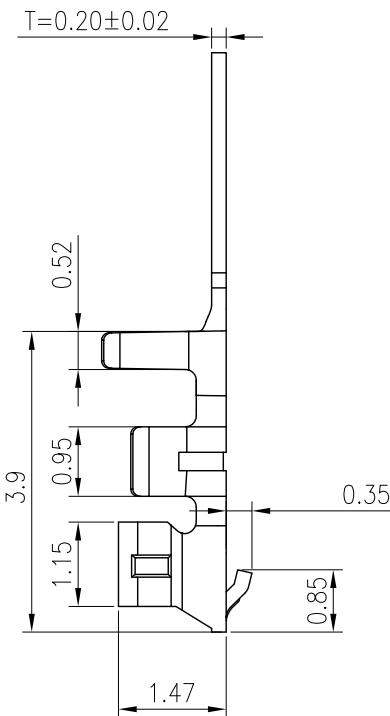
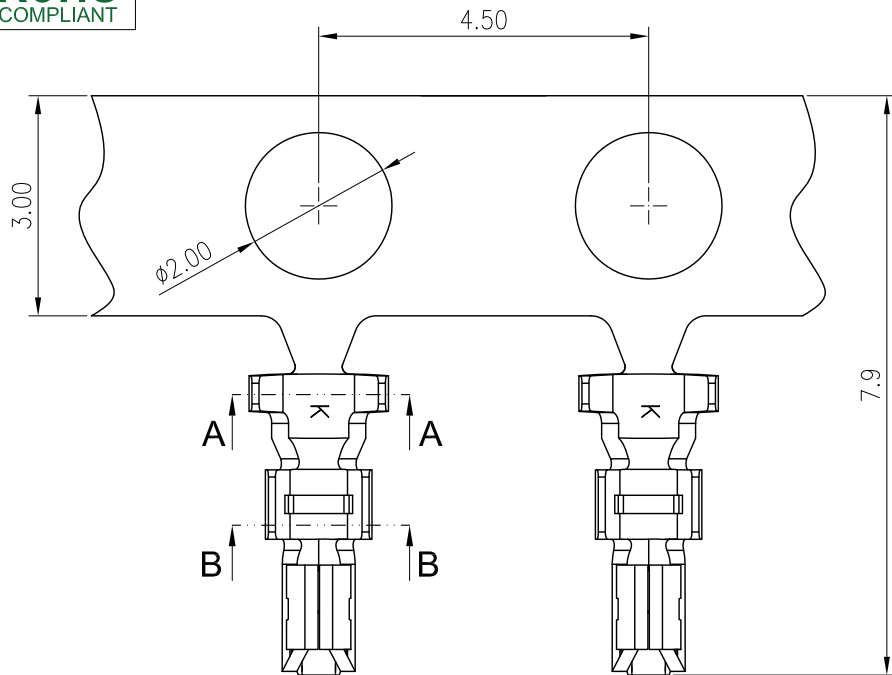
 01:PA66 UL94 V-0 white
 02:PA66 UL94 V-0 black
 17:PA66 brown
 19:PA66 UL94 V-0 gray
 35:PA66 UL94 V-0 purple



Circuits	Dimensions			Circuits	Dimensions		
	A	B	C		A	B	C
2PIN	1.50	4.50	3.40	10PIN	13.50	16.50	15.40
3PIN	3.00	6.00	4.90	11PIN	15.00	18.00	16.90
4PIN	4.50	7.50	6.40	12PIN	16.50	19.50	18.40
5PIN	6.00	9.00	7.90	13PIN	18.00	21.00	19.90
6PIN	7.50	10.50	9.40	14PIN	19.50	22.50	21.40
7PIN	9.00	12.00	10.90	15PIN	21.00	24.00	22.90
8PIN	10.50	13.50	12.40	16PIN	22.50	25.50	24.40
9PIN	12.00	15.00	13.90				

F	MARK	REVISION DESCRIPTION	SIGNATURE	DATE	TOLERANCE	TITLE: ZH1.5 Housing	DRAWN: Shen 2021.09.22		KONNRA 东莞市康瑞电子有限公司 DongGuan Konnra Electronics Co.,Ltd. PART NO.: H150101****0*A REV.: A3 DRAWING NO.: 1501H01-A-S	
					X.X ±0.30		CHECKED:			
					X.XX ±0.20		APPROVED:			
					X.XXX ±0.10					
					Angle ±2°	UNIT:mm	SCALE:1/1	SHEET:1/1	PROJECTION	
	1	2	3	4	5	6	7	8	9	

RoHS
COMPLIANT



◆ SPECIFICATIONS

- Current rating: 1A AC, DC
- Voltage rating: 100V AC, DC
- Temperature range: -40°C ~ +105°C
- Insulation resistance: 500MΩ Min.
- Withstanding voltage: 500V AC/ minute.
- Contact resistance: 20m Ω Max.

Material: Brass or Phosphor bronze

Finish: Tin Plated over Nickel

Applicable wires:

AWG #26~#30

Insulation O.D.: 1.10mm Max / 0.80mm Min .

Suitable KR1501 series housing

Mates with KR1501 series wafer

Q'ty/reel: 20,000PCS

Ordering Code:

T15010****01A

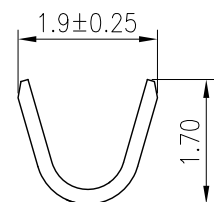
B:Brass

S00:Material

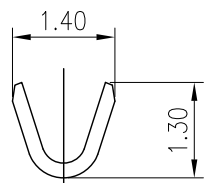
P:Phosphorus

T01:Bright Tin

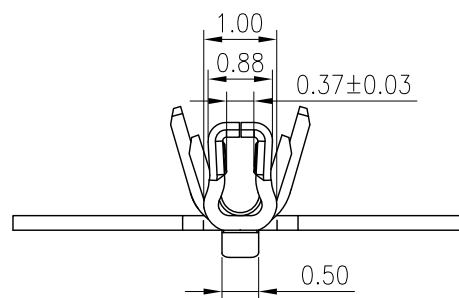
copper



SECTION A-A

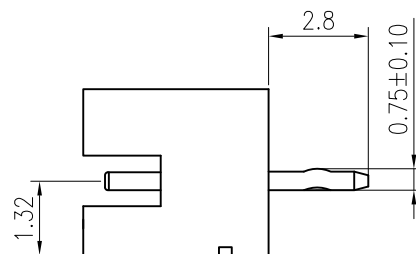
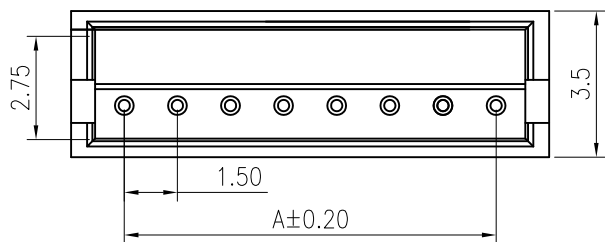


SECTION B-B



F		MARK		TOLERANCE		TITLE:		DRAWN:		KONNRA 东莞市康瑞电子有限公司	
A3		Uniformly arrange the drawings		Shen		2021.09.22		X.X ±0.30		DongGuan Konnra Electronics Co.,Ltd.	
A2		Change the part number and frame format		TLX		2020.05.14		X.XX ±0.20		PART NO.: T15010****01A	
		REVISION DESCRIPTION		SIGNATURE		DATE		X.XXX ±0.10		REV.: A3	
								Angle ±2°		DRAWING NO.: 1501T02-A-S	
								UNIT:mm		SCALE: 1/1	
								SHEET: 1/1		PROJECTION	

RoHS
COMPLIANT



◆ SPECIFICATIONS

- Current rating: 1A AC, DC
- Voltage rating: 100V AC,DC
- Temperature range: -40°C ~ +105°C
- Insulation resistance: 500MΩ Min.
- Withstanding voltage: 500V AC/ minute.
- Contact resistance: 20mΩ Max.

Material:

Insulator: PA66 or PA46 UL 94V-0

Contact: Brass

Plating: Tin plated over nickel

Circuits: 2~13

Mates With KR1501 series Housing

Ordering Code:

C1501VD *** ** T0101PA

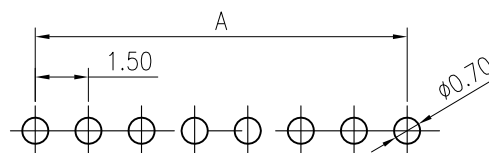
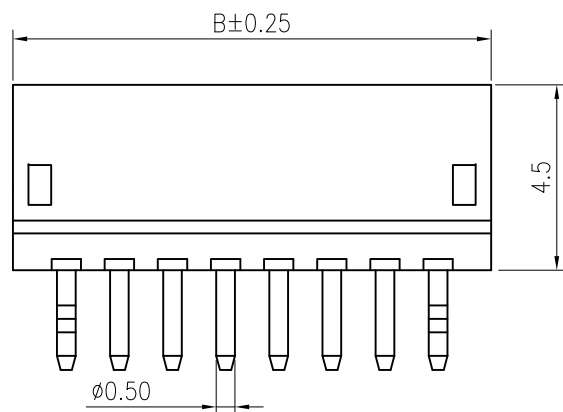
No. of Circuits

102:2P, 113:13P

Insulator Material

07:PA46 Natural

19:PA66 Grey



Recommended P.C.B. Layout
Total tolerance:±0.05mm

PIN NO.	DIMENSIONS		PIN NO.	DIMENSIONS	
	A	B		A	B
02P	1.50	4.50	08P	10.50	13.50
03P	3.00	6.00	09P	12.00	15.00
04P	4.50	7.50	10P	13.50	16.50
05P	6.00	9.00	11P	15.00	18.00
06P	7.50	10.50	12P	16.50	19.50
07P	9.00	12.00	13P	18.00	21.00



MARK

Uniformly arrange the drawings

Change the part number and frame format

1

2

3

4

5

6

7

8

9

Shen

Ru yi

SIGNATURE

2021.9.22

2020.3.10

DATE

TOLERANCE

X.X ±0.30

X.XX ±0.20

X.XXX ±0.10

Angle ±2°

TITLE:
ZH1.5 DIP 180°
Wafer Strike K

UNIT:mm

SCALE:1/1

DRAWN: Shen 2021.09.22

CHECKED:

APPROVED:

SHEET:1/1

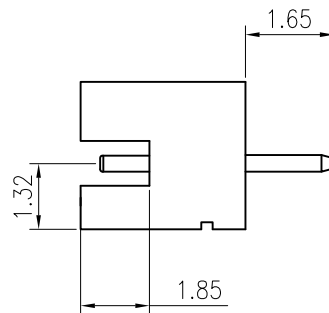
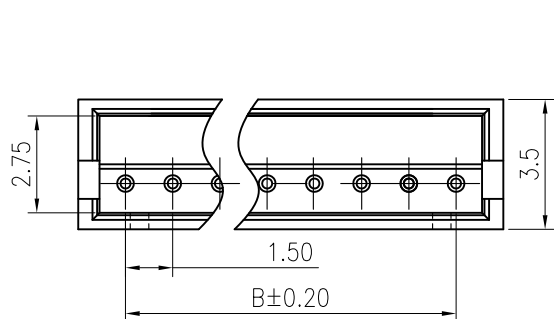
PROJECTION

KONNRA 东莞市康瑞电子有限公司
DongGuan Konnra Electronics Co.,Ltd.

PART NO.:C1501VD*****T0101PA

REV.:A3 DRAWING NO.:1501WVD101-A-S

RoHS
COMPLIANT



◆ SPECIFICATIONS

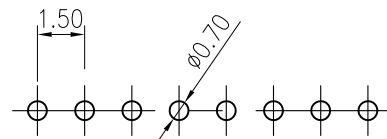
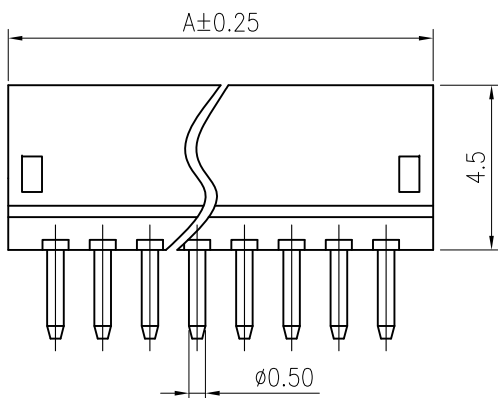
- Current rating: 1A AC, DC
- Voltage rating: 100V AC, DC
- Temperature range: -40°C ~ +105°C
- Insulation resistance: 500MΩ Min.
- Withstanding voltage: 500V AC/ minute.
- Contact resistance: 20mΩ Max.

Material:

Insulator: PA46 UL 94V-0
Contact: Brass
Plating: Tin plated over Nickel
Mates with KR1501 series housing

C1501VD ***07 T01 04PA

102: 2P
116: 16P
07: PA46 NATURAL
T01: MATTE TIN



P.C.B Layout

PIN NO.	DIMENSIONS		PIN NO.	DIMENSIONS	
	B	A		B	A
02P	1.50	4.50	08P	10.50	13.50
03P	3.00	6.00	09P	12.00	15.00
04P	4.50	7.50	10P	13.50	16.50
05P	6.00	9.00	11P	15.00	18.00
06P	7.50	10.50	12P	16.50	19.50
07P	9.00	12.00	13P	18.00	21.00

MARK	REVISION	DESCRIPTION	SIGNATURE	DATE	TOLERANCE	TITLE:	DRAWN:	CHECKED:	APPROVED:	REV.: A3	DRAWING NO.:
	1	Uniformly arrange the drawings	Shen	2021.9.22	X.X ±0.30	ZH1.5 DIP 180°	Shen 2021.09.22				1501WVD102-A-S
	2	Change the part number and frame format	Ru yi	2020.3.10	X.XX ±0.20	WaferD=1.65 No K					
	3				X.XXX ±0.10						
	4				Angle ±2°						
	5										
	6										
	7										
	8										
	9										

KONNRA 东莞市康瑞电子有限公司
DongGuan Konnra Electronics Co.,Ltd.

PART NO.: C1501VD***07T0104PA

REV.: A3 DRAWING NO.: 1501WVD102-A-S

RoHS
COMPLIANT

◆ SPECIFICATIONS

- Current rating: 1A AC, DC
- Voltage rating: 100V AC, DC
- Temperature range: -40°C ~ +105°C
- Insulation resistance: 500MΩ Min.
- Withstanding voltage: 500V AC/ minute.
- Contact resistance: 20mΩ Max.

Material:

Insulator: Nylon 9T UL 94V-0

Contact: Brass

Plating: Tin plated over Nickel

Mate with KR1501 series housing

Ordering Code:

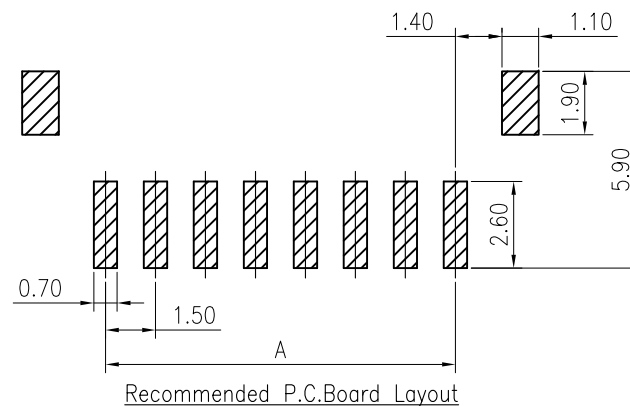
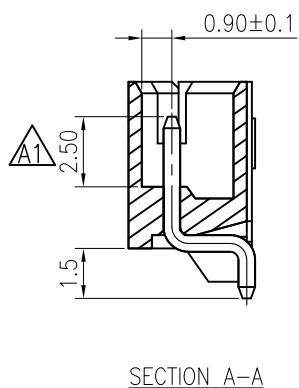
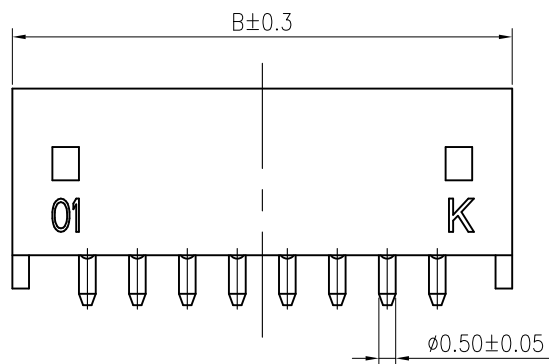
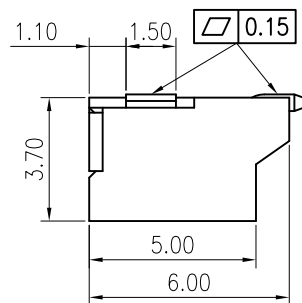
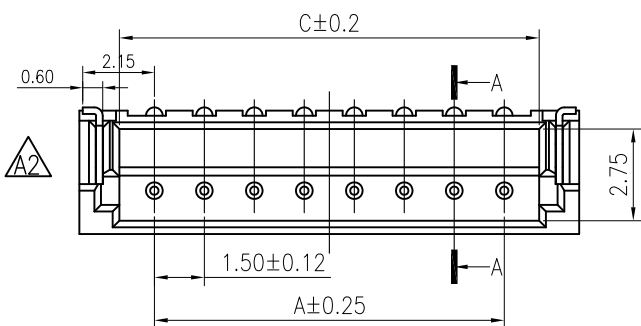
C1501RS *** ** M0101RA

No. of Circuits

102:2,116:16

11:PA9T Natural

12:PA9T Black



CKT.	A	B	C
2	1.50	6.00	3.60
3	3.00	7.50	5.10
4	4.50	9.00	6.60
5	6.00	10.50	8.10
6	7.50	12.00	9.60
7	9.00	13.50	11.10
8	10.50	15.00	12.60
9	12.00	16.50	14.10
10	13.50	18.00	15.60
11	15.00	19.50	17.10
12	16.50	21.00	18.60
13	18.00	22.50	20.10
14	19.50	24.00	21.60
15	21.00	25.50	23.10
16	22.50	27.00	24.60

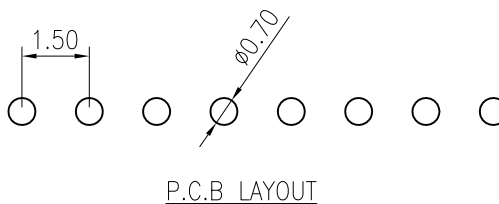
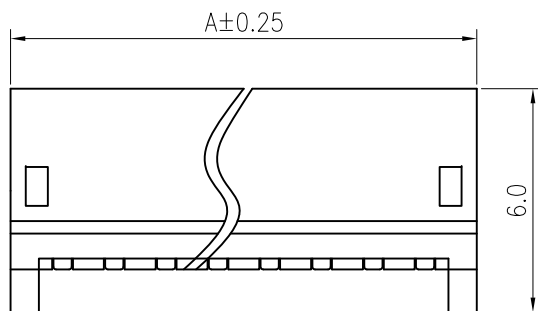
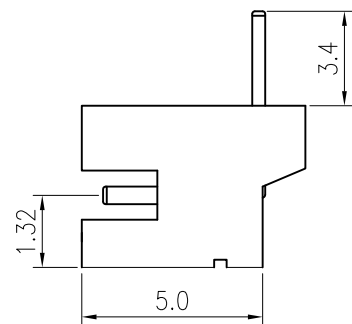
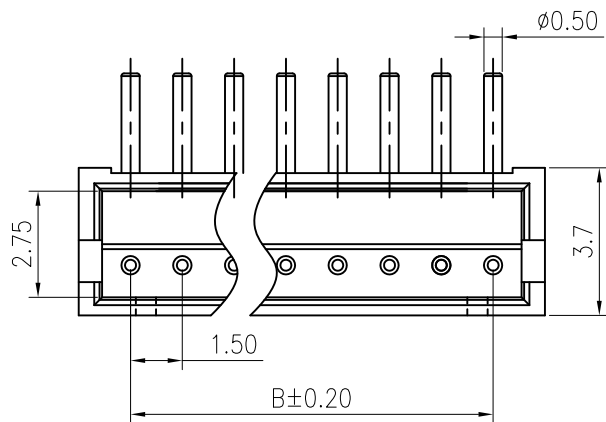
MARK	REVISION	DESCRIPTION	SIGNATURE	DATE	TOLERANCE	TITLE:	DRAWN:	PROJECTION	REV.:	DRAWING NO.:
A4	1	Uniformly arrange the drawings	Shen	2021.09.22	X.X ±0.30	ZH1.5 SMT 90° WF PiN Length 2.5	Shen 2021.09.22		A4	1501WHS101-A-S
A3	2	Change the part number and frame format	TLX	2020.03.20	X.XX ±0.20		CHECKED:			
					X.XXX ±0.10		APPROVED:			
					Angle ±3°	UNIT:mm	SCALE:1/1	SHEET:1/1		

KONNRA 东莞市康瑞电子有限公司
DongGuan Konnra Electronics Co.,Ltd.

PART NO.: C1501RS*****M0101RA

REV.: A4

RoHS
COMPLIANT



◆SPECIFICATIONS

- Current rating: 1A AC, DC
- Voltage rating: 100V AC,DC
- Temperature range: -40°C ~ +105°C
- Insulation resistance: 500MΩ Min.
- Withstanding voltage: 500V AC/ minute.
- Contact resistance: 20mΩ Max.

Material:

Insulator: PA66 UL 94V-0

Contact: Brass

Plating: Tin plated over Nickel

Mates with KR1501 series housing

C1501RD *** 19 T01 03PA

02: 2P

16: 16P

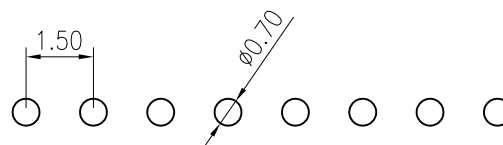
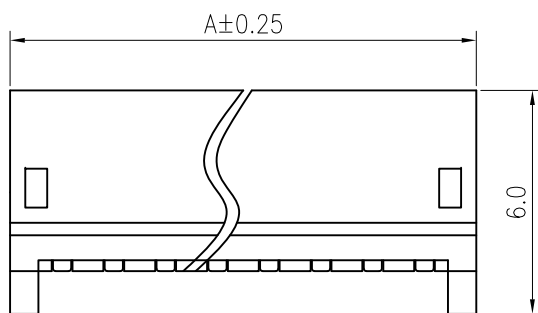
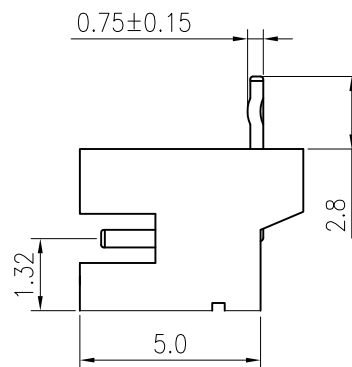
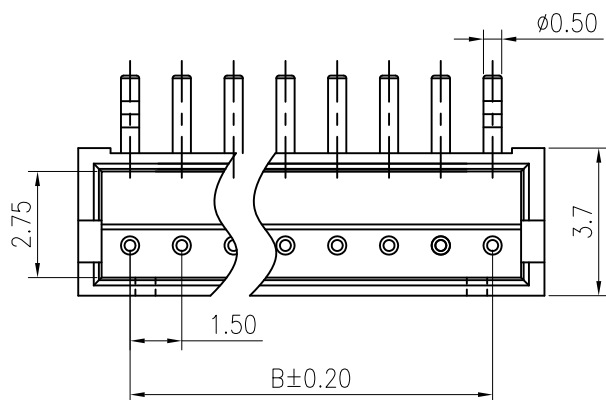
19: PA66 Grey

T01: Bright Tin

Pin NO.	A	B
2P	4.50	1.50
3P	6.00	3.00
4P	7.50	4.50
5P	9.00	6.00
6P	10.50	7.50
7P	12.00	9.00
8P	13.50	10.50
9P	15.00	12.00
10P	16.50	13.50
11P	18.00	15.00
12P	19.50	16.50
13P	21.00	18.00

MARK	REVISION	DESCRIPTION	SIGNATURE	DATE	TOLERANCE	TITLE:	DRAWN:	CHECKED:	APPROVED:	REV.:	DRAWING NO.:
	1	Uniformly arrange the drawings	Shen	2021.9.22	X.X ±0.30	ZH1.5 DIP 90° Wafer DIP=3.4	Shen 2021.09.22				KONNRA 东莞市康瑞电子有限公司 DongGuan Konnra Electronics Co.,Ltd.
	2	Change the part number and frame format	Ru yi	2020.3.10	X.XX ±0.20						
					X.XXX ±0.10						PART NO.: C1501RD1**19T0103PA
					Angle ±2°						DRAWING NO.: 1501WHD102-A-S
						UNIT:mm	SCALE: 1/1	SHEET: 1/1	PROJECTION		

RoHS
COMPLIANT



P.C.B LAYOUT

◆ SPECIFICATIONS

- Current rating: 1A AC, DC
- Voltage rating: 100V AC, DC
- Temperature range: -40°C ~ +105°C
- Insulation resistance: 500MΩ Min.
- Withstanding voltage: 500V AC/ minute.
- Contact resistance: 20mΩ Max.

Material:

Insulator: PA66 or PA46 UL 94V-0

Contact: Brass

Plating: Tin plated over Nickel

Mates with KR1501 series housing

C1501RD *** 19 T01 01PA

02: 2P

03: 3P...

19: PA66 Grey

07: PA46 Natural

T01: Bright Tin

Pin NO.	A	B
2P	4.50	1.50
3P	6.00	3.00
4P	7.50	4.50
5P	9.00	6.00
6P	10.50	7.50
7P	12.00	9.00
8P	13.50	10.50
9P	15.00	12.00
10P	16.50	13.50
11P	18.00	15.00
12P	19.50	16.50
13P	21.00	18.00

MARK	REVISION DESCRIPTION	SIGNATURE	DATE
A4	Uniformly arrange the drawings	Shen	2021.9.22
A3	Change the part number and frame format	Ru yi	2020.3.10

TOLERANCE
X.X ±0.30
X.XX ±0.20
X.XXX ±0.10
Angle ±2°

TITLE:
ZH1.5 DIP 90° Wafer
Strike K
UNIT:mm
SCALE:1/1

DRAWN:
Shen 2021.09.22
CHECKED:
APPROVED:
SHEET:1/1
PROJECTION

DRAWING NO.:
1501WHD101-A-S
PART NO.: C1501RD1**19T0101PA
REV.: A4

KONNRA 东莞市康瑞电子有限公司
DongGuan Konnra Electronics Co.,Ltd.

RoHS
COMPLIANT

◆ SPECIFICATIONS

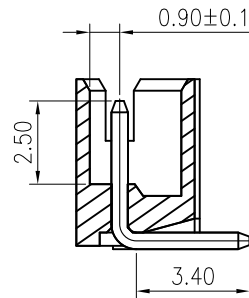
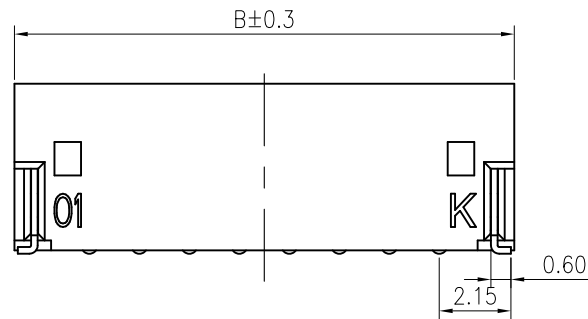
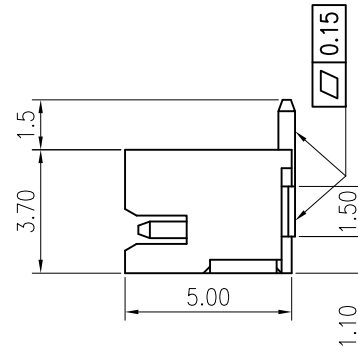
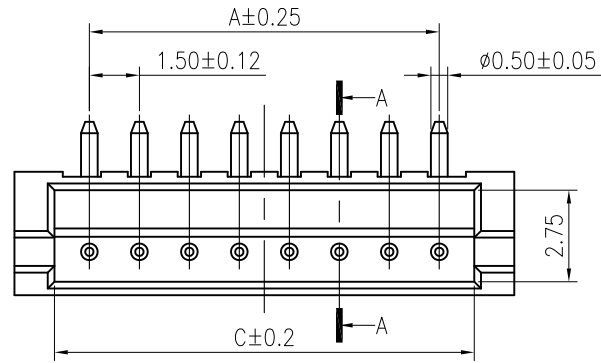
- Current rating: 1A AC, DC
- Voltage rating: 100V AC, DC
- Temperature range: -40°C ~ +105°C
- Insulation resistance: 500MΩ Min.
- Withstanding voltage: 500V AC/ minute.
- Contact resistance: 20mΩ Max.

Material:

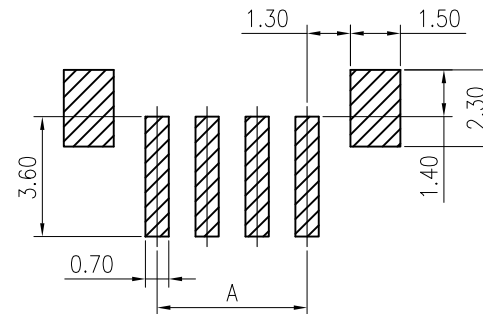
Insulator: Nylon 9T UL 94V-0
Contact: Brass
Plating: Tin plated over Nickel
Mates with KR1501 series housing

C1501VS1****M01 ** RA

No. of Circuits ————
102:2
116:16
Insulator Material ————
11:PA9T Natural
12:PA9T black
————— 01:Standard
————— 03:Heat sealing
————— 04:Special cover



SECTION A-A



Recommended P.C.Board Layout

CKT.	A	B	C
2	1.50	6.00	3.60
3	3.00	7.50	5.10
4	4.50	9.00	6.60
5	6.00	10.50	8.10
6	7.50	12.00	9.60
7	9.00	13.50	11.10
8	10.50	15.00	12.60
9	12.00	16.50	14.10
10	13.50	18.00	15.60
11	15.00	19.50	17.10
12	16.50	21.00	18.60
13	18.00	22.50	20.10
14	19.50	24.00	21.60
15	21.00	25.50	23.10
16	22.50	27.00	24.60

F	MARK	Uniformly arrange the drawings	Shen	2021.09.22	TOLERANCE X.X ±0.30 X.XX ±0.20 X.XXX ±0.10 Angle ±3°	TITLE: ZH1.5 SMT 180°WF	DRAWN: Shen 2021.09.22		KONNRA 东莞市康瑞电子有限公司 DongGuan Konnra Electronics Co.,Ltd. PART NO.: C1501VS1****M01**RA REV.: A3 DRAWING NO.: 1501WVS101-A-S		
		Change the part number and frame format	TLX	2020.03.25			CHECKED:				
		REVISION DESCRIPTION	SIGNATURE	DATE			APPROVED:	UNIT:mm SCALE:1/1 SHEET:1/1 PROJECTION			
1	2	3	4	5	6	7	8	9			