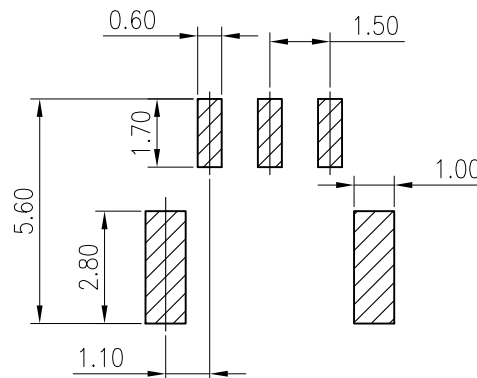
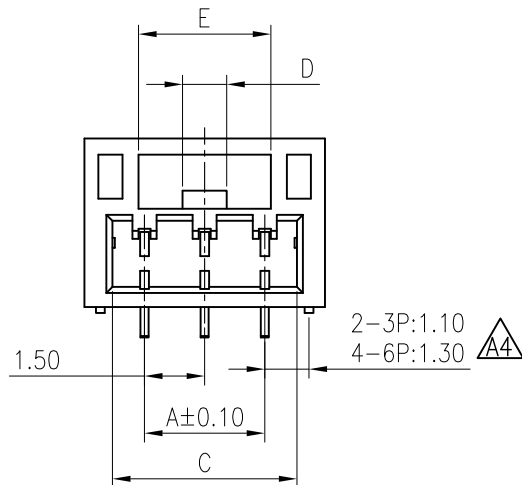
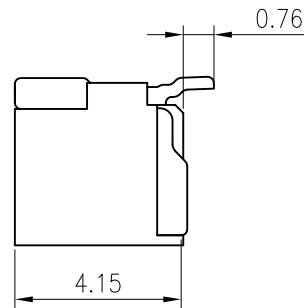
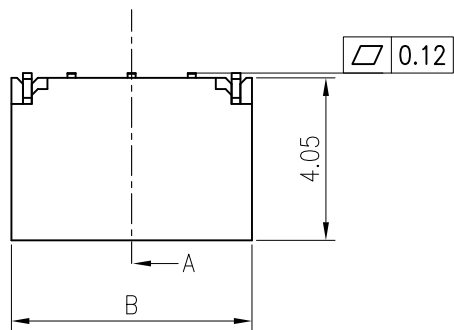


RoHS
COMPLIANT



Recommended P.C.B. Layout
Total tolerance:±0.05mm


SPECIFICATIONS

Current rating: 1A AC, DC
Voltage rating:50V AC,DC
Temperature range: -40°C ~ +105°C
Insulation resistance: 100MΩ/ min.
Withstanding voltage: 500V AC/ minute.
Contact resistance: 30mΩ/ max.


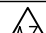


Material:

Insulator: PA9T UL94V-0
Contact: copper alloy
Finish: Matte-tin plated
Mates With A1506 Series Housing

Ordering Code:

C1506VS ***11M0101RA 
102: 2P
106: 6P
11: PA9T Natural
M01:Matte-tin plated
R:Reel&Tape

6P	7.50	10.90	9.50	6.55	4.35
5P	6.00	9.40	8.00	4.55	2.35
4P	4.50	7.90	6.50	3.30	1.60
3P	3.00	6.00	4.60	2.20	0.80
2P	1.50	4.50	3.10		
PIN	A	B	C	D	E

F		Modify Size	Shen	2022.10.22	TOLERANCE X.X ±0.30 X.XX ±0.20 X.XXX ±0.10 Angle ±2°	TITLE: GH1.5 SMT 180° WF	DRAWN: <i>Shen 2021.09.14</i>	KONNRA 东莞市康瑞电子有限公司 DongGuan Konnra Electronics Co.,Ltd.		
		Uniformly arrange the drawings	Shen	2021.09.14						
		Change the part number and frame format	TLX	2020.05.14						
	MARK	REVISION DESCRIPTION	SIGNATURE	DATE						
	1	2	3	4	UNIT:mm	SCALE:1/1	SHEET:1/1	PROJECTION 	REV.:A4	DRAWING NO.:1506WVS01-A-S