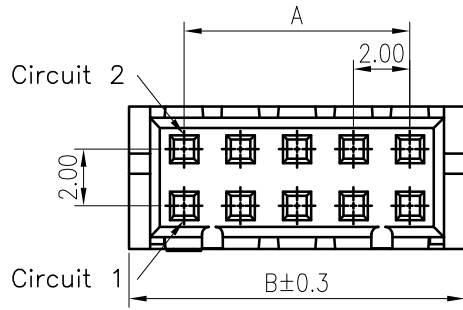


RoHS
COMPLIANT



Ordering Code:

H20050 *** ** 01B

No. of Circuits

202:2x2,215:2x15

Insulator Material

01:PA66 White V0

03:PA66 White V2

20:PA66 Red V0

32:PA66 Red V2

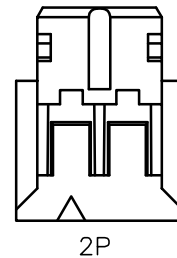
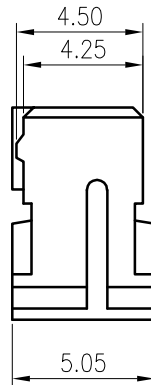
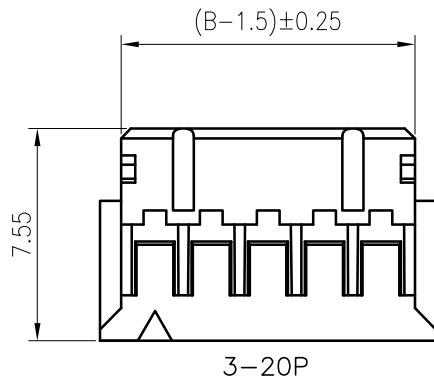
SPECIFICATIONS

1. Current rating: 3A AC, DC
2. Voltage rating:250V AC,DC
3. Temperature range: -40°C ~ +105°C
4. Insulation resistance: 1000MΩ/ min.
5. Withstanding voltage: 800V AC/ minute.
6. Contact resistance: 20mΩ/ max.

Material: PA66 UL 94V-0

Suitable KR2005 series terminal

Mate with KR2005 series wafer



Circuits	Dimensions		Circuits	Dimensions	
	A	B		A	B
2x2	2.00	5.90	2x12	22.00	25.90
2x3	4.00	7.90	2x13	24.00	27.90
2x4	6.00	9.90	2x14	26.00	29.90
2x5	8.00	11.90	2x15	28.00	31.90
2x6	10.00	13.90	2x16	30.00	33.90
2x7	12.00	15.90	2x17	32.00	35.90
2x8	14.00	17.90	2x18	34.00	37.90
2x9	16.00	19.90	2x19	36.00	39.90
2x10	18.00	21.90	2x20	38.00	41.90
2x11	20.00	23.90			



MARK

1

2

3

4

5

6

7

8

9

TOLERANCE

X. X ±0.30

X. XX ±0.20

X. XXX ±0.10

Angle ±2°

TITLE:
PHD2.0 Housing

UNIT: mm

SCALE: N/A

DRAWN: Arvin 2020.06.02

CHECKED:

APPROVED:

SHEET: 1/1

PROJECTION

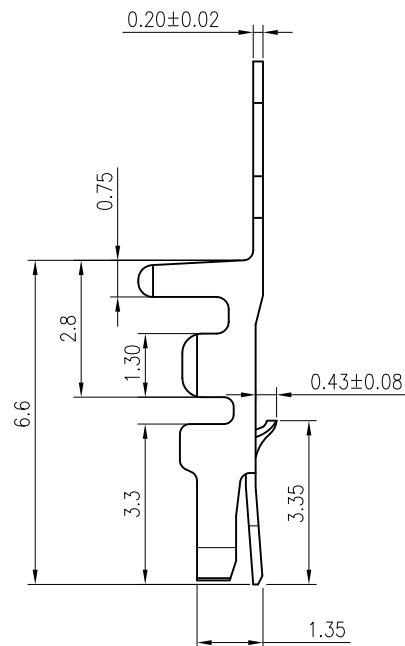
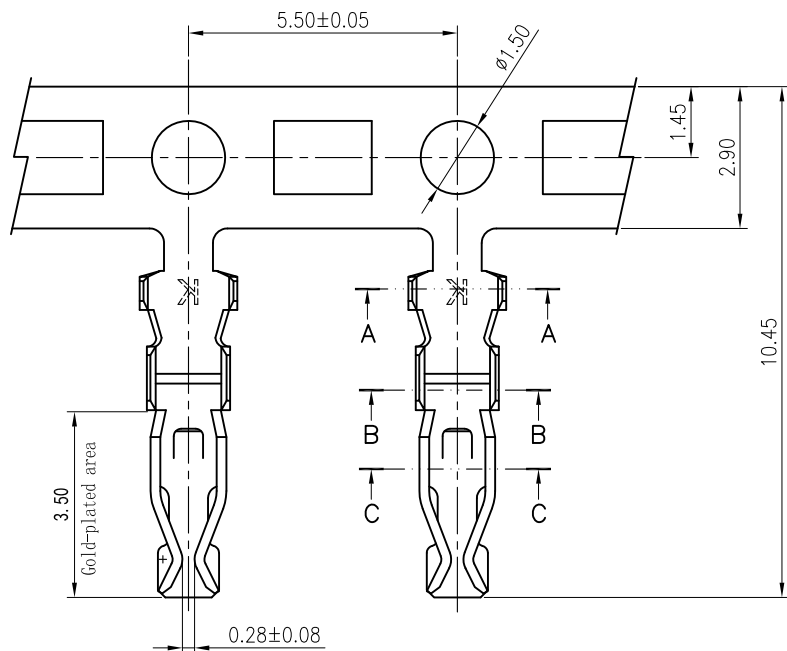
KONNRA 东莞市康瑞电子有限公司
DongGuan Konnra Electronics Co., Ltd.

PART NO. : H20050*****01B

REV. : A1

DRAWING NO. : 2005H201-B-S

RoHS
COMPLIANT



SPECIFICATIONS

1. Current rating: 3A AC, DC
2. Voltage rating: 250V AC, DC
3. Temperature range: -40°C ~ +105°C
4. Insulation resistance: 1000MΩ/ min.
5. Withstanding voltage: 800V AC/ minute.
6. Contact resistance: 20mΩ/ max.

Material: Phosphor Bronze

Plating: Tin plated over nickel

Applicable wire:

Conductor size: AWG#24~#28

Insulation O.D.: 0.9~1.40mm

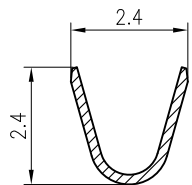
Suitable: KR2005/KR2014 series Housing

Q'ty/reel: 10,000pcs

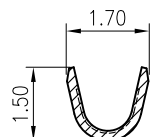
Ordering Code:

T20050P***01A

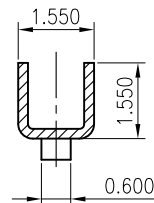
- S00: Nnplated
- T01: Bright tin
- B04: Au 5u"
- B08: Au 2u"



SECTION A-A



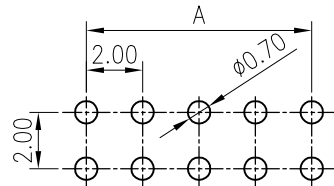
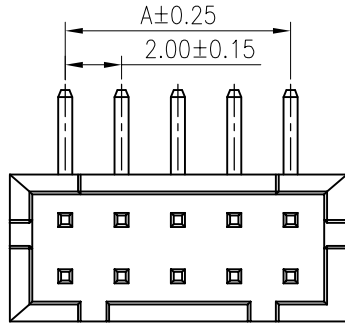
SECTION B-B



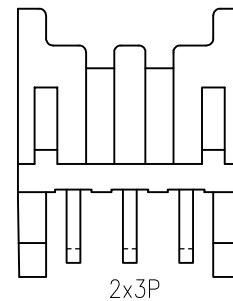
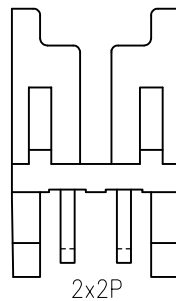
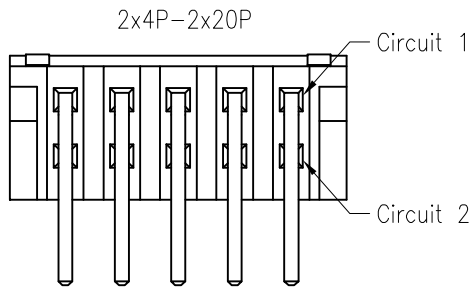
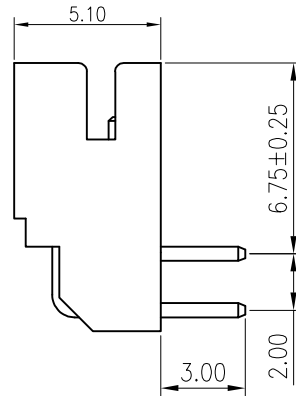
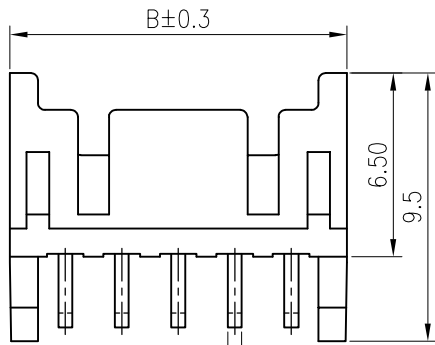
SECTION C-C

F		Uniformly arrange the drawings	ZSZ	2021.09.22	TOLERANCE X.X ±0.3 X.XX ±0.2 X.XXX ±0.1 Angle ±2°	TITLE: PHD/PA2.0 Terminal	DRAWN: ZSZ 2021.09.22		KONNRA 东莞市康瑞电子有限公司 DongGuan Konnra Electronics Co.,Ltd.		
		Change the part number and frame format	TLX	2020.05.14			CHECKED:		PART NO.: T20050P***01A		
	MARK	REVISION DESCRIPTION	SIGNATURE	DATE	UNIT:mm	SCALE:N/A	SHEET:1/1	PROJECTION	REV.:A3	DRAWING NO.: 2005T01-A-S	
	1	2	3	4	5	6	7	8	9		

RoHS
COMPLIANT



Recommended P.C.B. Layout
Total tolerance:±0.05mm



SPECIFICATIONS

1. Current rating: 3A AC, DC
2. Voltage rating: 250V AC,DC
3. Temperature range: -40°C ~ +105°C
4. Insulation resistance: 1000MΩ Min.
5. Withstanding voltage: 800V AC/ minute.
6. Contact resistance: 20m Ω Max.

Material:

Insulator: PA66 UL 94V-0
Contact: Brass/Tin plated over nickel
Mate with KR2005 series housing

Ordering Code:

C2005RD *** 22 T01 01PC
No. of Circuits |
202:2x2,220:2x20 |
| Plating:
| T01: Tin plated

Circuits	Dimensions		Circuits	Dimensions	
	A	B		A	B
2x2	2.00	6.00	2x12	22.00	26.00
2x3	4.00	8.00	2x13	24.00	28.00
2x4	6.00	10.00	2x14	26.00	30.00
2x5	8.00	12.00	2x15	28.00	32.00
2x6	10.00	14.00	2x16	30.00	34.00
2x7	12.00	16.00	2x17	32.00	36.00
2x8	14.00	18.00	2x18	34.00	38.00
2x9	16.00	20.00	2x19	36.00	40.00
2x10	18.00	22.00	2x20	38.00	42.00
2x11	20.00	24.00			



MARK

1

2

3

4

5

6

7

8

9

TOLERANCE

X. X ±0.30
X. XX ±0.20
X. XXX ±0.10
Angle ±2°

TITLE:

PHD2.0 DIP 90°
Wafer

DRAWN: Arvin 2021.08.13

CHECKED:

APPROVED:

UNIT: mm

SCALE: N/A

SHEET: 1/1

PROJECTION

KONNRA 东莞市康瑞电子有限公司

DongGuan Konnra Electronics Co., Ltd.

PART NO.: C2005RD2**22T0101PC

VER.: A1

DRAWING NO.: 2005WRD201-C-S

RoHS
COMPLIANT

SPECIFICATIONS

1. Current rating: 3A AC, DC
2. Voltage rating: 250V AC,DC
3. Temperature range: -40°C ~ +105°C
4. Insulation resistance: 1000MΩ Min.
5. Withstanding voltage: 800V AC/ minute.
6. Contact resistance: 20mΩ Max.

Material:

Insulator: PA66 UL 94V-0

Contact: Brass

Plating: Tin plated over Nickel

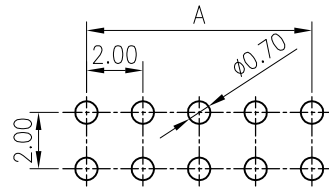
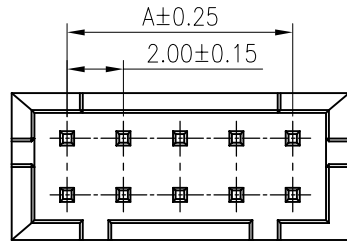
Mate with KR2005 series housing

Ordering Code:

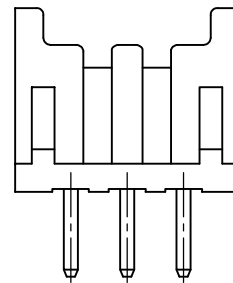
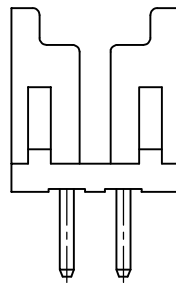
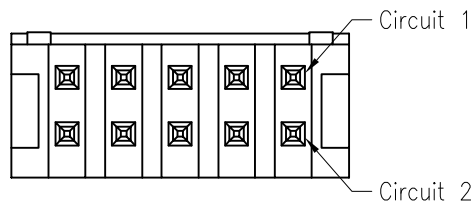
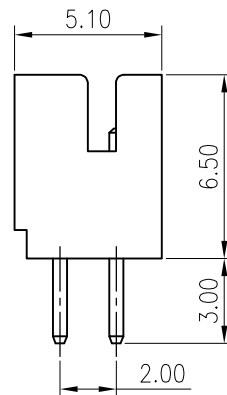
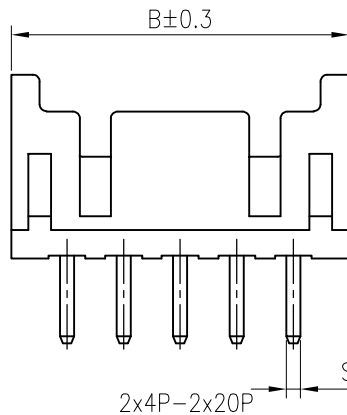
C2005VD *** 22 T01 01PC

No. of Circuits
202:2x2,220:2x20

Plating:
T01: Tin plated



Recommended P.C.B. Layout
Total tolerance:±0.05mm



Circuits	Dimensions		Circuits	Dimensions	
	A	B		A	B
2x2	2.00	6.00	2x12	22.00	26.00
2x3	4.00	8.00	2x13	24.00	28.00
2x4	6.00	10.00	2x14	26.00	30.00
2x5	8.00	12.00	2x15	28.00	32.00
2x6	10.00	14.00	2x16	30.00	34.00
2x7	12.00	16.00	2x17	32.00	36.00
2x8	14.00	18.00	2x18	34.00	38.00
2x9	16.00	20.00	2x19	36.00	40.00
2x10	18.00	22.00	2x20	38.00	42.00
2x11	20.00	24.00			

△4				
△3				
△2				
MARK	REVISION DESCRIPTION	SIGNATURE	DATE	

TOLERANCE	TITLE:
X.X ±0.30	PHD2.0 DIP 180°
X.XX ±0.20	Wafer
X.XXX ±0.10	
Angle ±2°	

DRAWN:	Arvin 2021.08.13
CHECKED:	
APPROVED:	
SHEET: 1/1	PROJECTION

KONNRA 东莞市康瑞电子有限公司	
DongGuan Konnra Electronics Co., Ltd.	
PART NO.: C2005VD*** 22T0101PC	
VER.: A1	DRAWING NO.: 2005WDD201-C-S