

RoHS
COMPLIANT

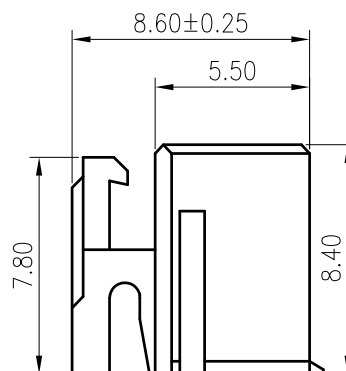
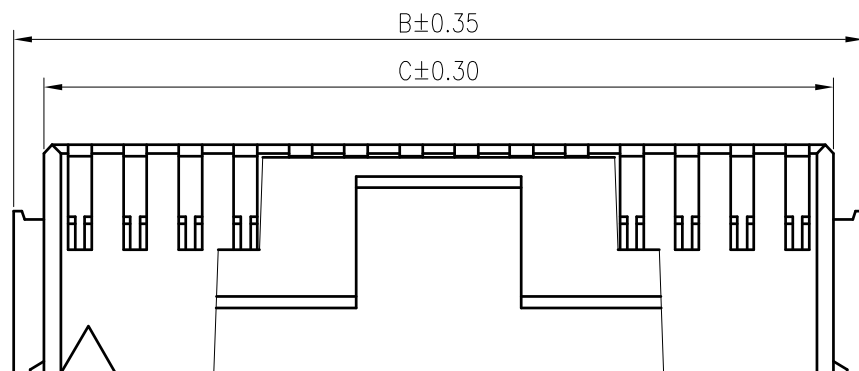
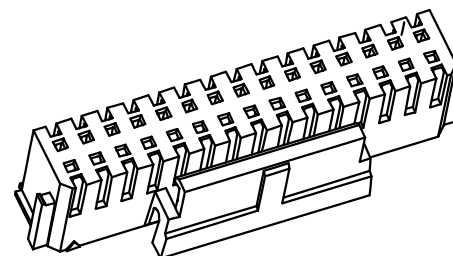
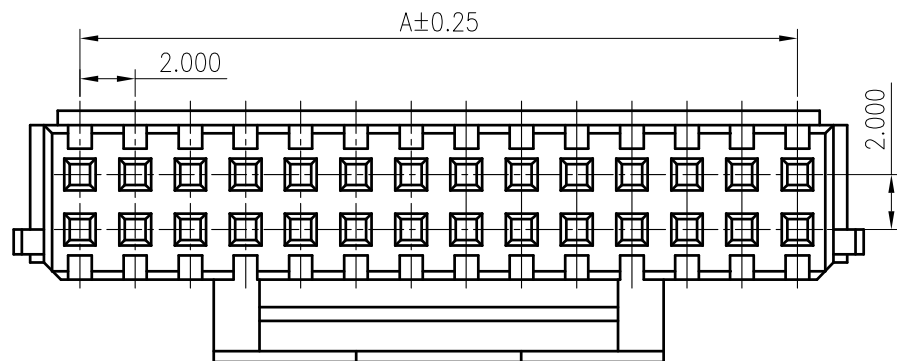
SPECIFICATIONS

1. Current rating: 2A AC, DC
2. Voltage rating: 250V AC,DC
3. Temperature range: -40°C ~ +105°C
4. Insulation resistance: 1000M Ω Min.
5. Withstanding voltage: 800V AC/ minute.
6. Contact resistance: 20m Ω Max.

Material: Nylon 66 UL 94V-0
 Suitable KR2012 series terminal
 Mate with KR2012 series wafer
 Ordering Code:

H20120 *** 01 01C

No. of Circuits
 202:2*2,220:2*20
 Insulator Material
 01:PA66 White V0



Circuits	Dimensions			Circuits	Dimensions		
	A	B	C		A	B	C
2x2	2.00	6.70	4.70	2x12	22.00	26.70	24.70
2x3	4.00	8.70	6.70	2x13	24.00	28.70	26.70
2x4	6.00	10.70	8.70	2x14	26.00	30.70	28.70
2x5	8.00	12.70	10.70	2x15	28.00	32.70	30.70
2x6	10.00	14.70	12.70	2x16	30.00	34.70	32.70
2x7	12.00	16.70	14.70	2x17	32.00	36.70	34.70
2x8	14.00	18.70	16.70	2x18	34.00	38.70	36.70
2x9	16.00	20.70	18.70	2x19	36.00	40.70	38.70
2x10	18.00	22.70	20.70	2x20	38.00	42.70	40.70
2x11	20.00	24.70	22.70				

				TOLERANCE	TITLE: PHB2.0 Housing		DRAWN: Shen 2022.01.08		KONNRA 东莞市康瑞电子有限公司 DongGuan Konnra Electronics Co.,Ltd.	
				X.X ± 0.30	UNIT:mm SCALE:N/A SHEET:1/1 PROJECTION		CHECKED:		PART NO.: H20120***0101C	
				X.XX ± 0.20						
				X.XXX ± 0.10						
	Uniformly arrange the drawings	Shen	2022.01.08	Angle $\pm 2^\circ$	APPROVED:		REV.: A3		DRAWING NO.: 2012H101-C-S	
MARK	REVISION DESCRIPTION	SIGNATURE	DATE							