

RoHS
COMPLIANT

SPECIFICATIONS

1. Current rating: 3A AC, DC
2. Voltage rating: 125V AC,DC
3. Temperature range: -40°C ~ +125°C
4. Insulation resistance:1000 MΩ Min.
5. Withstanding voltage: 500V AC/ minute.
6. Contact resistance: 10mΩ Max.

Material:

Insulator: PA9T UL 94V-0

Contact: Phosphor bronze

Solder tabs: Brass

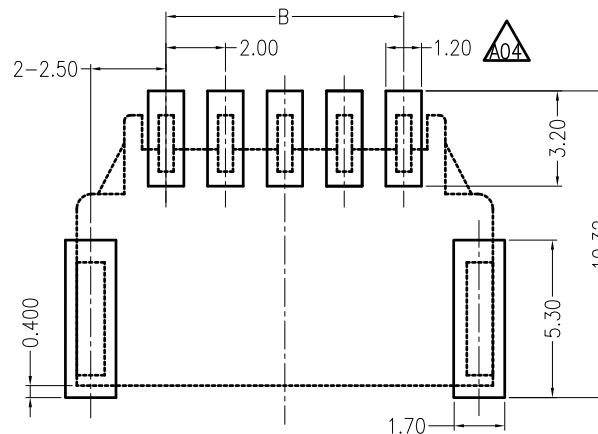
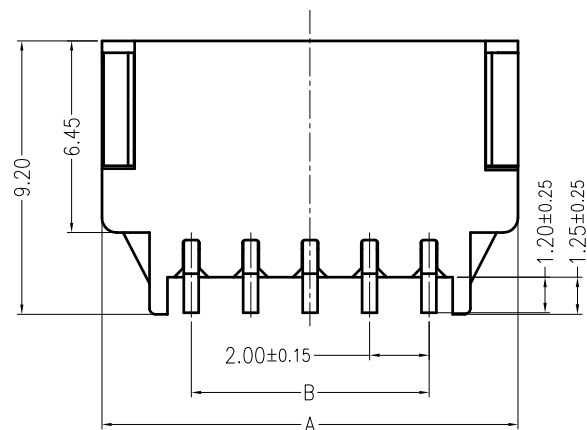
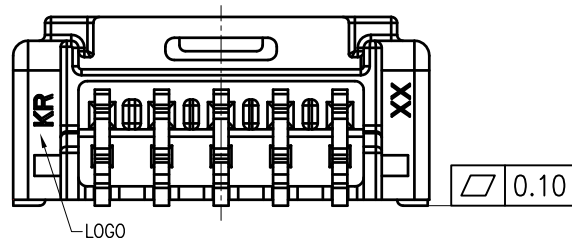
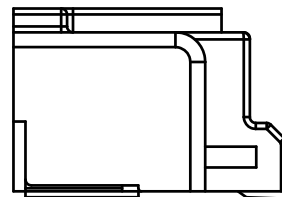
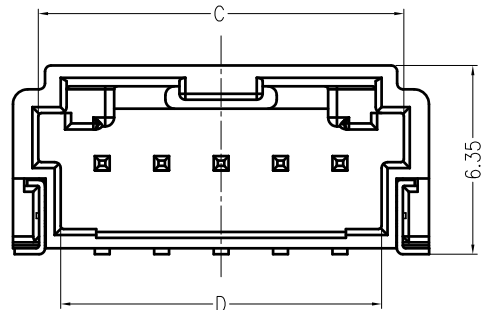
Plating: Matte-tin plated over nickel

Mate with KR2017 series housing

Ordering Code:

C2017RS *** ** M0101RA

No.of Circuits 11:PA9T Natural
102 : 2 ... 116,16 12:PA9T Black



Recommended P.C.B. Layout
General tolerance:±0.05mm

 A05	16	36.00	30.00	34.30	32.80
 A05	15	34.00	28.00	32.30	30.80
 A05	14	32.00	26.00	30.30	28.80
 A05	13	30.00	24.00	28.30	26.80
	12	28.00	22.00	26.30	24.80
	11	26.00	20.00	24.30	22.80
	10	24.00	18.00	22.30	20.80
	9	22.00	16.00	20.30	18.80
	8	20.00	14.00	18.30	16.80
	7	18.00	12.00	16.30	14.80
	6	16.00	10.00	14.30	12.80
	5	14.00	8.00	12.30	10.80
	4	12.00	6.00	10.30	8.80
	3	10.00	4.00	8.30	6.80
	2	8.00	2.00	6.30	4.80
	Circuits	A	B	C	D

F	 A06	Add specification	ZSZ	2023.5.15	TOLERANCE X.X ±0.30 X.XX ±0.20 X.XXX ±0.10 Angle ±2°	TITLE: MX2.0 Inner buckle SMT 90° Wafer	DRAWN: <i>ZZN 2023.4.19</i>	KONNRA 东莞市康瑞电子有限公司 DongGuan Konnra Electronics Co.,Ltd.			
	 A05	Add 14P.15P.16P	ZZN	2023.4.19							CHECKED: <i>ZZN 2023.4.19</i>
	 A04	Add Dimensions	Arvin	2022.11.04							APPROVED:
MARK	REVISION DESCRIPTION	SIGNATURE	DATE	UNIT:mm	SCALE:N/A	SHEET:1/1	PROJECTION	REV.:A06	DRAWING NO.:2017WRS101-A-S		