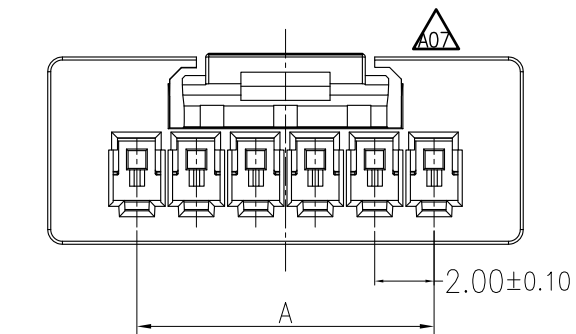
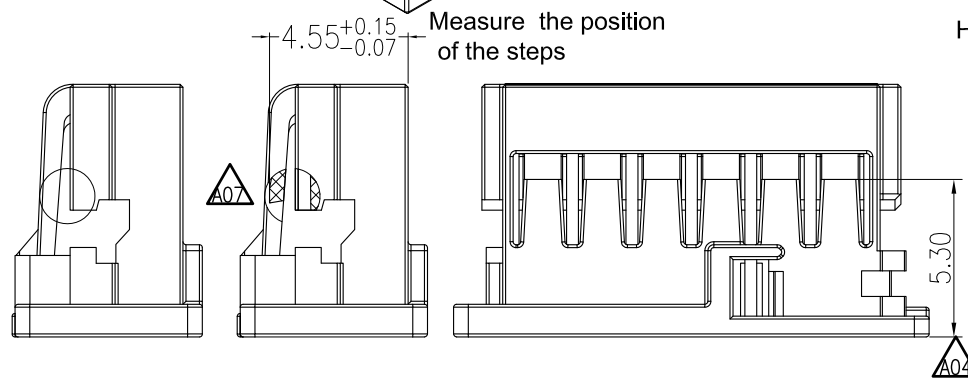
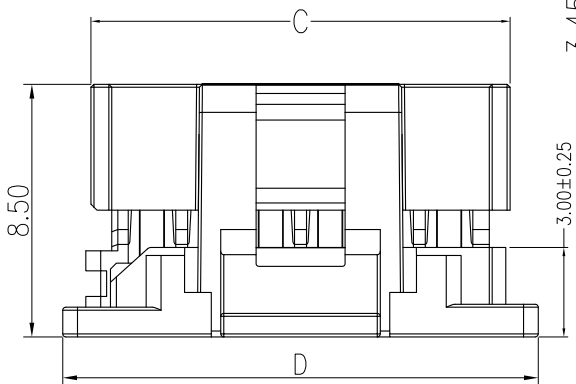
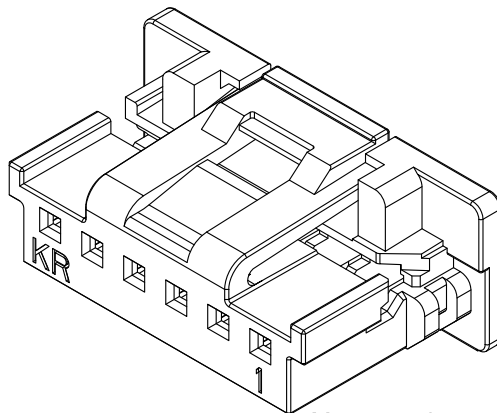
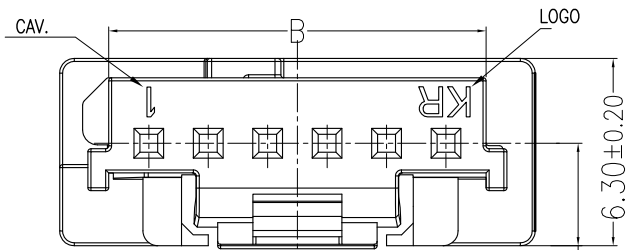


**RoHS**  
COMPLIANT



**SPECIFICATIONS**

1. Current rating: 3A AC, DC
2. Voltage rating: 125V AC,DC
3. Temperature range: -40°C ~ +125°C
4. Insulation resistance:1000mΩ Min.
5. Withstanding voltage: 500V AC/ minute.
6. Contact resistance: 10mΩ Max.

Material:PBT UL94V-0  
Suitable KR2017 Series terminal and lock  
Mate with KR2017 Series wafer

**Ordering Code:**

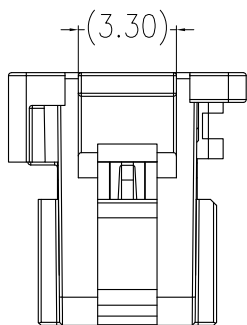
H20170 \*\*\* \*\* A

05:PBT Black  $\triangle A06$   
24:PBT Natural  
No. of Circuits  
102 : 2 ... 116,16

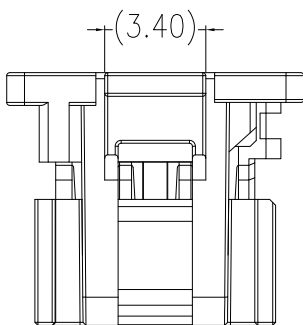
14	26.00	28.70	30.10	32.00
13	24.00	26.70	28.10	30.00
12	22.00	24.70	26.10	28.00
11	20.00	22.70	24.10	26.00
10	18.00	20.70	22.10	24.00
9	16.00	18.70	20.10	22.00
8	14.00	16.70	18.10	20.00
7	12.00	14.70	16.10	18.00
6	10.00	12.70	14.10	16.00
5	8.00	10.70	12.10	14.00
4	6.00	8.70	10.10	12.00
3	4.00	6.70	8.10	10.00
2	/	4.70	6.00	8.00
Circuits	A	B	C	D

$\triangle A08$				TOLERANCE	TITLE:	DRAWN: <i>ZSZ 2023.4.19</i>	KONNRA 东莞市康瑞电子有限公司		
$\triangle A07$	Modify Size	Arvin	2023.09.13	X.X ±0.30	MX2.0 Inner buckle	CHECKED:	DongGuan Konnra Electronics Co.,Ltd.		
$\triangle A06$	Add specification	ZSZ	2023.06.05	X.XX ±0.20	Housing	APPROVED:	PART NO.:H20170*****A		
MARK	REVISION DESCRIPTION	SIGNATURE	DATE	X.XXX ±0.10	UNIT:mm	SHEET:1/2	PROJECTION	REV.:A07	DRAWING NO.:2017H101-A-S
				Angle ±2°	SCALE:1/1				

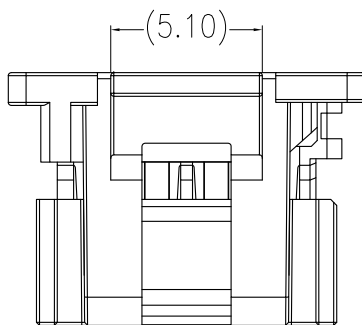
**RoHS**  
COMPLIANT



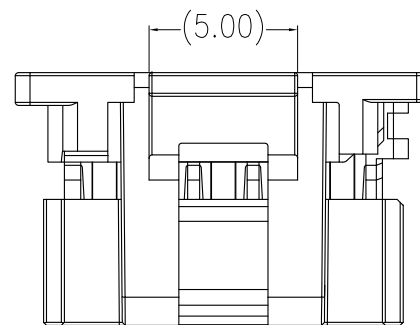
2P VIEW



3P VIEW



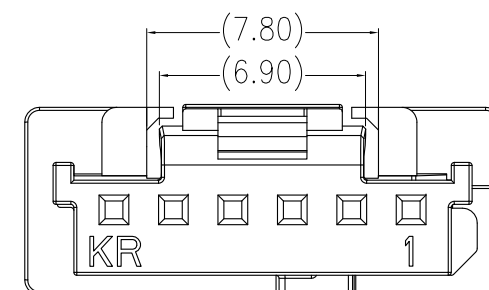
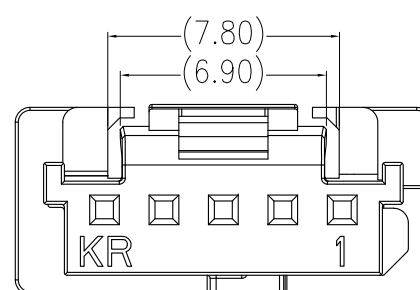
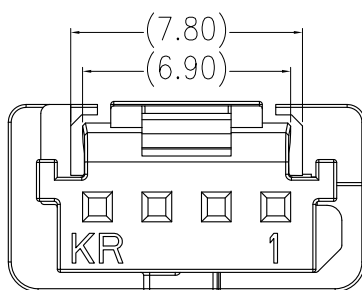
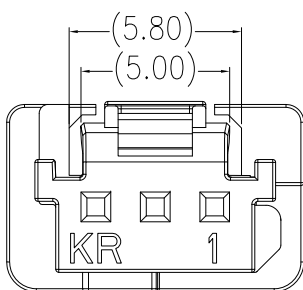
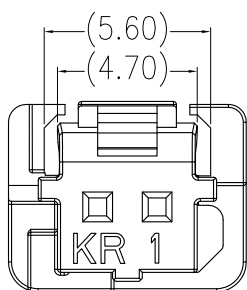
4P VIEW



5P VIEW



6~14P VIEW



Modify Size

Arvin

2023.09.13



Add specification

ZSZ

2023.06.05



MARK

REVISION DESCRIPTION

SIGNATURE

DATE

TOLERANCE

X.X ±0.30

X.XX ±0.20

X.XXX ±0.10

Angle ±2°

TITLE:  
MX2.0 Inner buckle  
Housing

UNIT:mm

SCALE:1/1

DRAWN: ZSZ 2023.4.19

CHECKED:

APPROVED:

SHEET:2/2 PROJECTION

**KONNRA** 东莞市康瑞电子有限公司  
DongGuan Konnra Electronics Co.,Ltd.

PART NO.:H20170\*\*\*\*\*A

REV.:A07 DRAWING NO.:2017H101-A-S

1

2

3

4

5

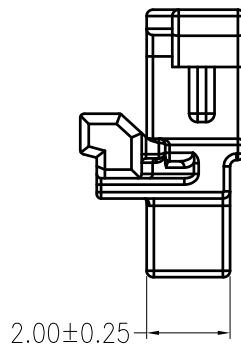
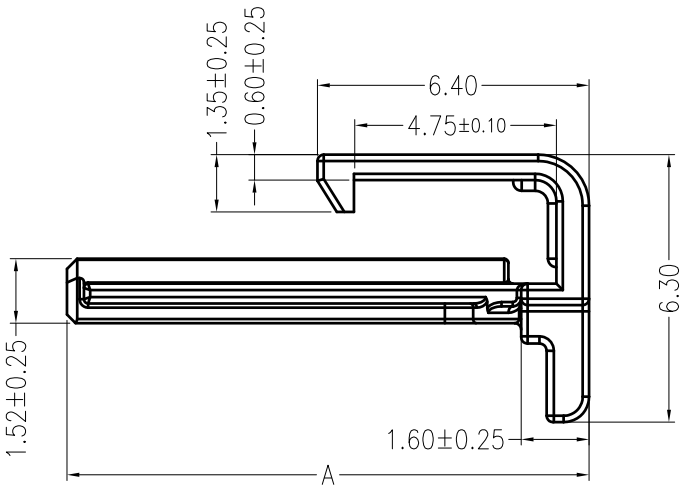
6

7

8

9

**RoHS**  
COMPLIANT



**SPECIFICATIONS**

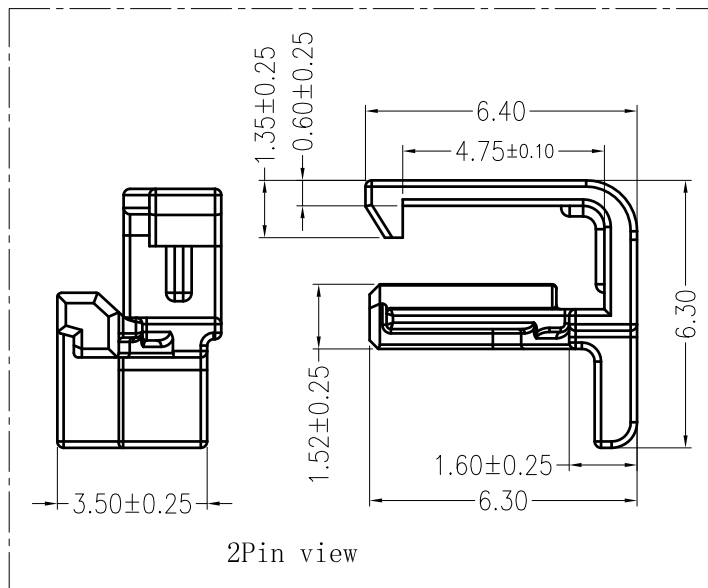
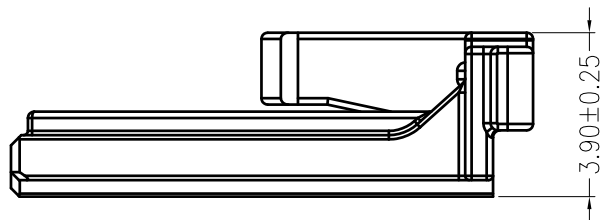
1. Current rating: 3A AC, DC
2. Voltage rating: 125V AC,DC
3. Temperature range: -40°C ~ +125°C
4. Insulation resistance:1000 MΩ Min.
5. Withstanding voltage: 500V AC/ minute.
6. Contact resistance: 10mΩ Max.

Material:PBT UL94 V-0  
Suitable KR2017 Series housing

Ordering Code:

H20170 xxx xx 11A

102 : 2P  
103 : 3P  
104 : 4P...  
Color:  
05 : PBT Black



14	30.30
13	28.30
12	26.30
11	24.30
10	22.30
9	20.30
8	18.30
7	16.30
6	14.30
5	12.30
4	10.30
3	8.30
2	6.30
Circuits	A

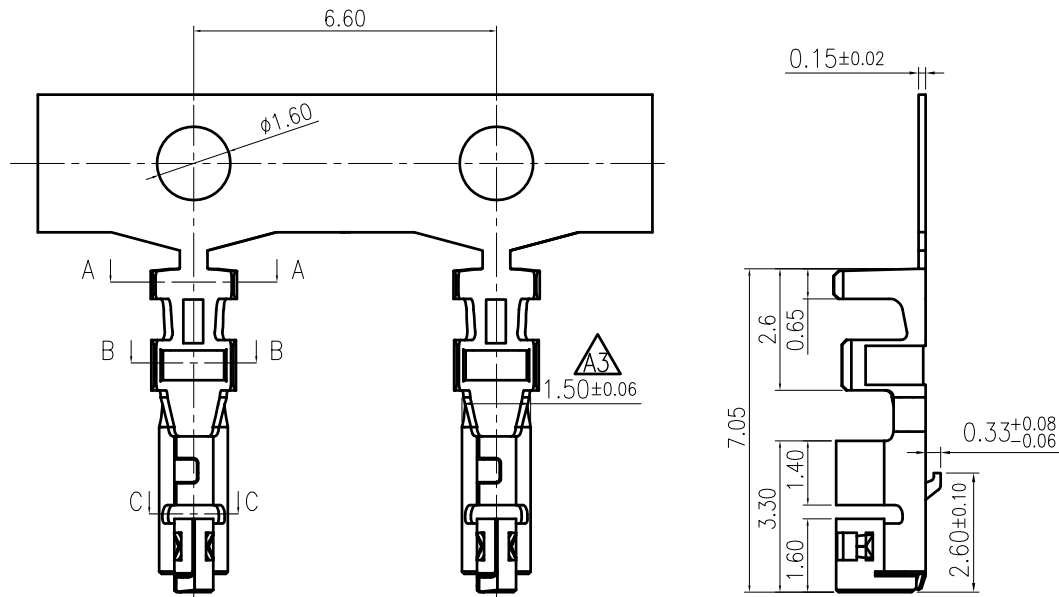
	Add 13&14P spec	Arvin	2022.09.27
	Uniformly arrange the drawings	ZSZ	2021.09.17
MARK	REVISION DESCRIPTION	SIGNATURE	DATE
1	2	3	4

TOLERANCE	TITLE:
X.X ±0.30	MX2.0 Inner buckle
X.XX ±0.20	Housing
X.XXX ±0.10	
Angle ±2°	
UNIT:mm	SCALE:N/A

DRAWN:	Arvin 2020.12.25
CHECKED:	ZSZ 2021.09.17
APPROVED:	
SHEET: 1/1	PROJECTION

<b>KONNRA</b> 东莞市康瑞电子有限公司	
DongGuan Konnra Electronics Co.,Ltd.	
PART NO.:H20170***0511A	
REV.:A3	DRAWING NO.:2017H102-A-S
7	8


**RoHS**  
COMPLIANT



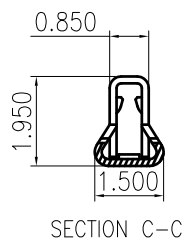
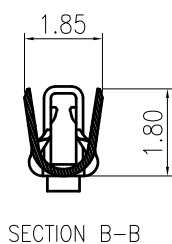
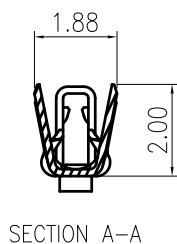
**SPECIFICATIONS**






1. Current rating: 3A(22AWG,0.35mm<sup>2</sup>) AC, DC
2. Voltage rating: 125V AC,DC
3. Temperature range: -40°C ~ +125°C
4. Insulation resistance:1000 MΩ Min.
5. Withstanding voltage: 500V AC/ minute.
6. Contact resistance: 10mΩ Max.

**Applicable Wires:**

AWG#22,0.35mm<sup>2</sup>   
Insulation O.D. : 1.40mm MAX

Material: Phosphor Bronze  
Plating: Tin plated over nickel  
Suitable KR2017 Series housing  
Q'ty/Reel: 10,000 PCS



F		Updated riveted wire specifications	ZSZ	2023.05.05	TOLERANCE X.X ±0.30 X.XX ±0.20 X.XXX ±0.10 Angle ±2°	TITLE: MX2.0 Inner buckle Terminal	DRAWN: <i>Arvin 2020.12.25</i>	 东莞市康瑞电子有限公司 DongGuan Konnra Electronics Co.,Ltd.	
		Add Dimensions	Arvin	2021.12.30			CHECKED:		
		Uniformly arrange the drawings	ZSZ	2021.09.17			APPROVED:		PART NO.: T20170PT0101A
MARK	REVISION DESCRIPTION	SIGNATURE	DATE	UNIT:mm	SCALE:N/A	SHEET:1/1	PROJECTION 	REV.:A4	DRAWING NO.:2017T101-A-S

**RoHS**  
COMPLIANT

**SPECIFICATIONS**

1. Current rating: 3A AC, DC
2. Voltage rating: 125V AC,DC
3. Temperature range: -40°C ~ +125°C
4. Insulation resistance:1000 MΩ Min.
5. Withstanding voltage: 500V AC/ minute.
6. Contact resistance: 10m Ω Max.

**Material:**

Insulator: PA9T UL 94V-0

Contact: Phosphor bronze

Solder tabs: Brass

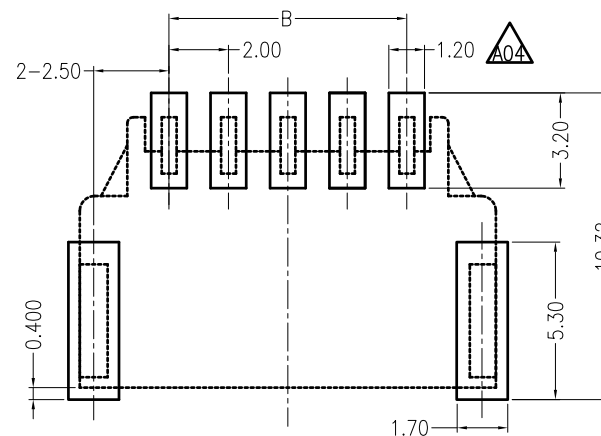
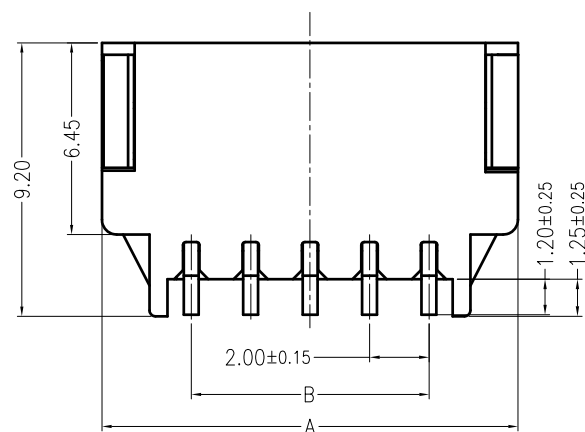
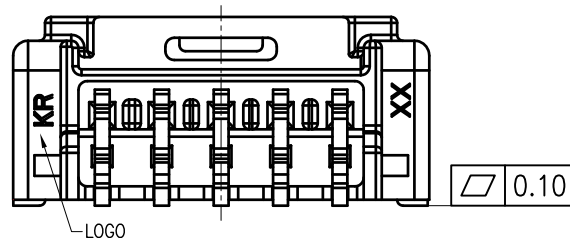
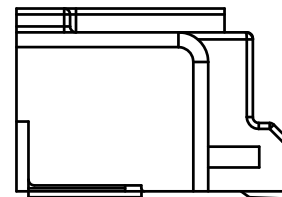
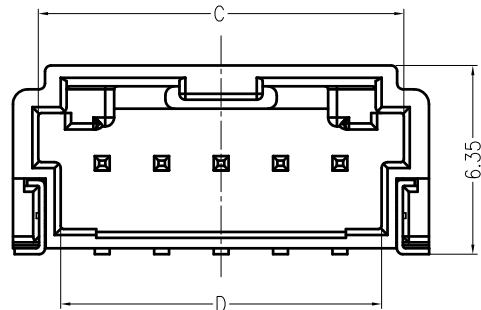
Plating: Matte-tin plated over nickel

Mate with KR2017 series housing

Ordering Code:

C2017RS \*\*\* \*\* M0101RA

No.of Circuits  11:PA9T Natural  12:PA9T Black



Recommended P.C.B. Layout  
General tolerance:±0.05mm

<input type="checkbox"/> A05	16	36.00	30.00	34.30	32.80
<input type="checkbox"/> A05	15	34.00	28.00	32.30	30.80
<input type="checkbox"/> A05	14	32.00	26.00	30.30	28.80
<input type="checkbox"/> A05	13	30.00	24.00	28.30	26.80
	12	28.00	22.00	26.30	24.80
	11	26.00	20.00	24.30	22.80
	10	24.00	18.00	22.30	20.80
	9	22.00	16.00	20.30	18.80
	8	20.00	14.00	18.30	16.80
	7	18.00	12.00	16.30	14.80
	6	16.00	10.00	14.30	12.80
	5	14.00	8.00	12.30	10.80
	4	12.00	6.00	10.30	8.80
	3	10.00	4.00	8.30	6.80
	2	8.00	2.00	6.30	4.80
	Circuits	A	B	C	D

<input type="checkbox"/> A06	Add specification	ZSZ	2023.5.15	TOLERANCE X.X ±0.30 X.XX ±0.20 X.XXX ±0.10 Angle ±2°	TITLE: MX2.0 Inner buckle SMT 90° Wafer	DRAWN: <i>ZZN 2023.4.19</i>	KONNRA 东莞市康瑞电子有限公司 DongGuan Konnra Electronics Co.,Ltd.		
<input type="checkbox"/> A05	Add 14P.15P.16P	ZZN	2023.4.19			CHECKED: <i>ZZN 2023.4.19</i>			
<input type="checkbox"/> A04	Add Dimensions	Arvin	2022.11.04			APPROVED:			
MARK	REVISION DESCRIPTION	SIGNATURE	DATE	UNIT:mm	SCALE:N/A	SHEET:1/1	PROJECTION	REV.:A06	DRAWING NO.:2017WRS101-A-S

**RoHS**  
COMPLIANT

**SPECIFICATIONS**



1. Current rating: 3A AC, DC
2. Voltage rating: 125V AC,DC
3. Temperature range: -40°C ~ +125°C
4. Insulation resistance:1000 MΩ Min.
5. Withstanding voltage: 500V AC/ minute.
6. Contact resistance: 10m Ω Max.

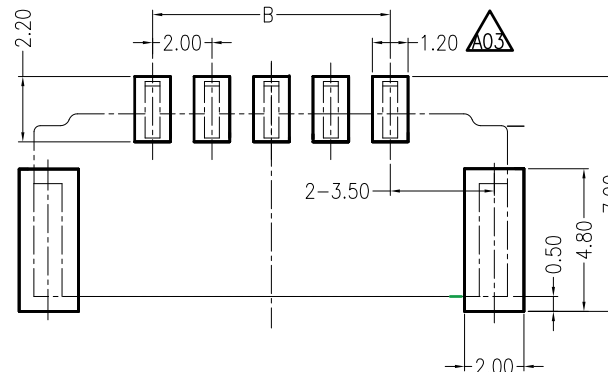
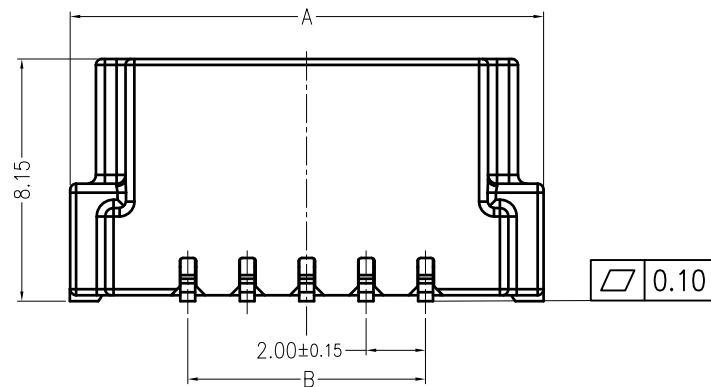
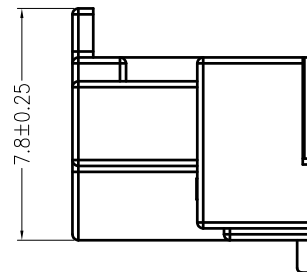
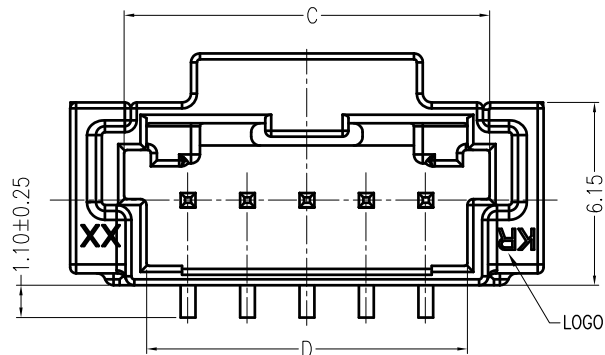
**Material:**

Insulator: PA9T UL 94V-0  
 Contact: Phosphor bronze  
 Solder tabs: Brass  
 Plating: Matte-tin plated over nickel  
 Mate with KR2017 series housing




**Ordering Code:**




C2017VS \*\*\* \*\* M0101RA

└─ 11:PA9T Natural   
 └─ 12:PA9T Black   
 No.of Circuits  
 102 : 2 ... 116,16



Recommended P.C.B. Layout  
 General tolerance:±0.05mm

	16	37.90	30.00	34.30	32.80
	15	35.90	28.00	32.30	30.80
	14	33.90	26.00	30.30	28.80
	13	31.90	24.00	28.30	26.80
	12	29.90	22.00	26.30	24.80
	11	27.90	20.00	24.30	22.80
	10	25.90	18.00	22.30	20.80
	9	23.90	16.00	20.30	18.80
	8	21.90	14.00	18.30	16.80
	7	19.90	12.00	16.30	14.80
	6	17.90	10.00	14.30	12.80
	5	15.90	8.00	12.30	10.80
	4	13.90	6.00	10.30	8.80
	3	11.90	4.00	8.30	6.80
	2	9.90	2.00	6.30	4.80
	Circuits	A	B	C	D

	Add specification	ZSZ	2023.6.5	TOLERANCE X.X ±0.30 X.XX ±0.20 X.XXX ±0.10 Angle ±2°	TITLE: MX2.0 Inner buckle SMT 180° Wafer	DRAWN: <i>ZZN</i> 2023.4.19		KONNRA 东莞市康瑞电子有限公司 DongGuan Konnra Electronics Co.,Ltd.	
	Add 13P 15P 16P	ZZN	2023.4.19			CHECKED: <i>ZZN</i> 2023.4.19			
	Uniformly arrange the drawings	ZSZ	2021.09.17			APPROVED:		PART NO.:C2017VS*****M0101RA	
MARK	REVISION DESCRIPTION	SIGNATURE	DATE			UNIT:mm	SCALE:N/A	SHEET:1/1	PROJECTION 