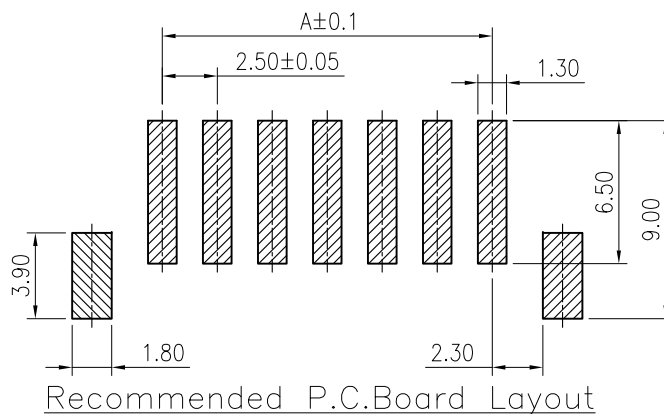
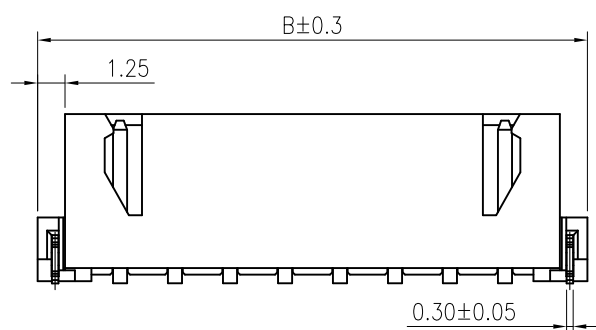
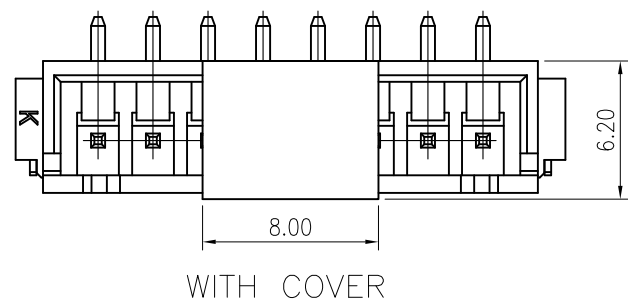
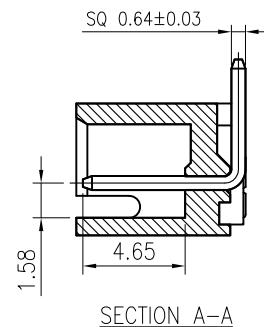
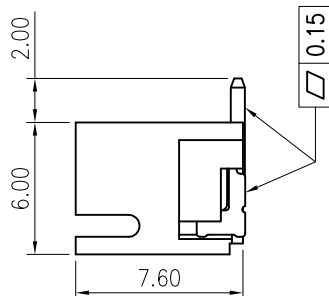
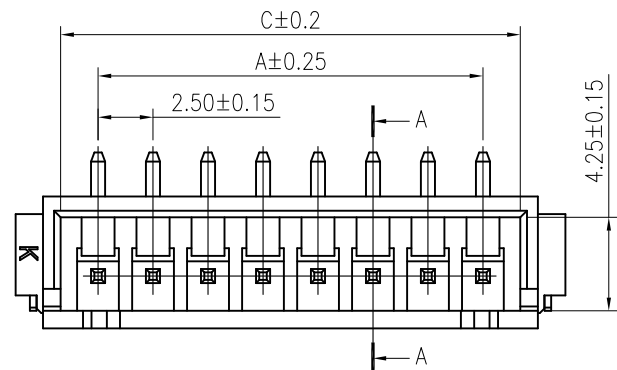


RoHS  
COMPLIANT



- ◆ SPECIFICATIONS
- Current rating: 3A AC, DC
  - Voltage rating: 250V AC, DC
  - Temperature range: -40°C ~ +105°C
  - Insulation resistance: 1000MΩ Min.
  - Withstanding voltage: 1000V AC/ minute.
  - Contact resistance: 20m Ω Max.

Material:  
 Insulator: Nylon 9T/LCP UL 94V-0  
 Contact: Brass  
 Solder Nail: Brass  
 Plating: Tin plated over Nickel  
 Circuits: 2~16  
 Mates: KR2501 series Housing

Ordering code:  
 C2501VS1\*\*11M0101RA  
 102:2P  
 116:16P  
 11=PA9T Natural

CKT.	Dimension		
	A	B	C
02	2.50	10.00	5.90
03	5.00	12.50	8.40
04	7.50	15.00	10.90
05	10.00	17.50	13.40
06	12.50	20.00	15.90
07	15.00	22.50	18.40
08	17.50	25.00	20.90
09	20.00	27.50	23.40
10	22.50	30.00	25.90
11	25.00	32.50	28.40
12	27.50	35.00	30.90
13	30.00	37.50	33.40
14	32.50	40.00	35.90
15	35.00	42.50	38.40
16	37.50	45.00	40.90

F				TOLERANCE	TITLE:	DRAWN:	<b>KONNRA</b> 东莞市康瑞电子有限公司 DongGuan Konnra Electronics Co.,Ltd. PART NO.: C2501VS1**11M0101RA VER.: A2 DRAWING NO.: 2501WVS101-A-S
		Uniformly arrange the drawings	ZSZ	2021.09.22	XH2.5 SMT 180° WF	CHECKED:	
		Change the part number and frame format	Arvin	2020.01.16		APPROVED:	
	LTR	REVISION DESCRIPTION	SIGNATURE	DATE	Angle ±2°	UNIT:mm SCALE:N/A	