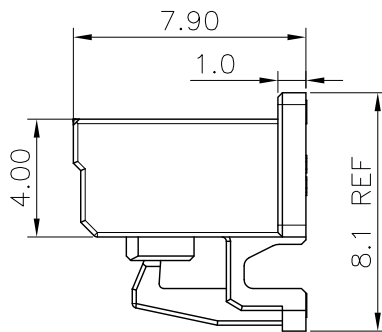
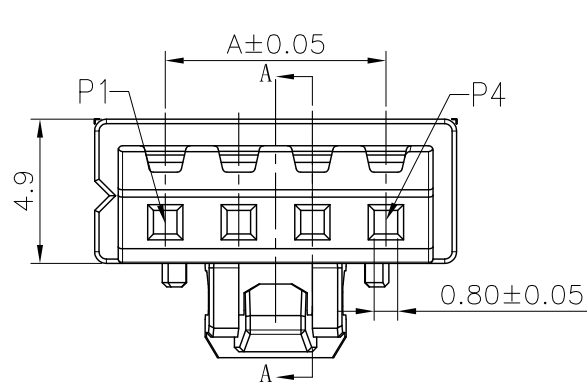


RoHS
COMPLIANT



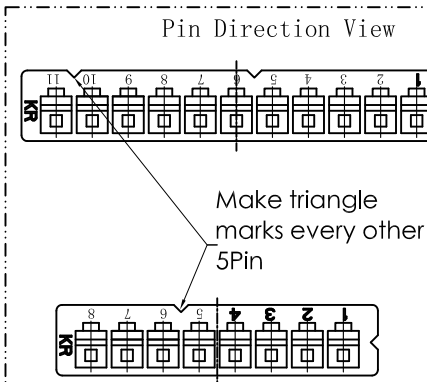
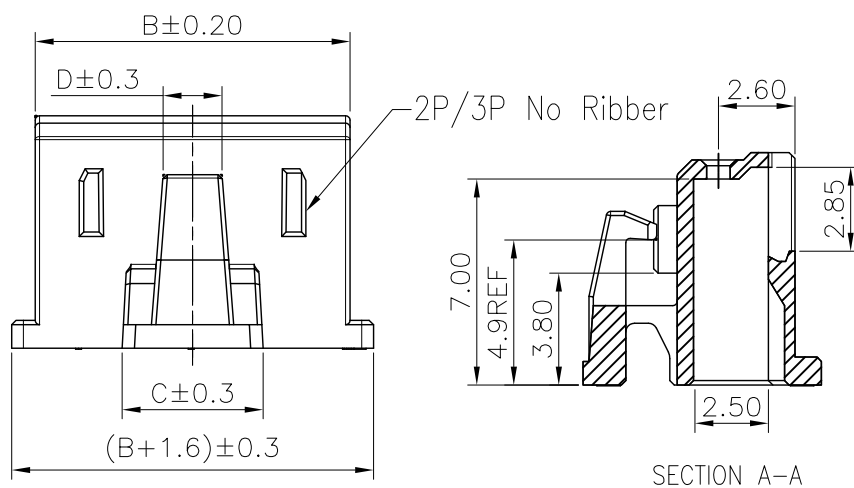
◆ SPECIFICATIONS

- Current rating: 3A AC, DC
- Voltage rating: 250V AC, DC
- Temperature range: -40°C ~ +105°C
- Insulation resistance: 1000MΩ Min.
- Withstanding voltage: 1000V AC/ minute.
- Contact resistance: 20mΩ Max.

Material: Nylon 66 UL 94V-0

Circuits: 2~16

Suitable: KR2501 series Terminal



Pin No.	Dimensions			
	A	B	C	D
002	2.50	5.70	3.50	1.45
003	5.00	8.20	4.00	1.95
004	7.50	10.70	4.80	2.00
005	10.00	13.20	7.30	4.50
006	12.50	15.70	9.80	7.00
007	15.00	18.20	9.80	7.00
008	17.50	20.70	9.80	7.00
009	20.00	23.20	9.80	7.00
010	22.50	25.70	9.80	7.00
011	25.00	28.20	9.80	7.00
012	27.50	30.70	9.80	7.00
013	30.00	33.20	9.80	7.00
014	32.50	35.70	9.80	7.00
015	35.00	38.20	9.80	7.00
016	37.50	40.70	9.80	7.00

F		Modify Size 2P 3.00 to 3.50(ECN20230107)	ZSZ	2023.3.16	TOLERANCE X.X ±0.30 X.XX ±0.20 X.XXX ±0.10 Angle ±2°	TITLE: XH 2.5 Have Buckle Housing	DRAWN: Shen 2021.10.27		KONNRA 东莞市康瑞电子有限公司 DongGuan Konnra Electronics CO.,LTD PART NO.: H250201**0101C		
		Add 2P/3P No Ribber Remark	ZZN	2021.10.27			CHECKED:				
		Uniformly arrange the drawings	Shen	2021.07.19			APPROVED:				
MARK	REVISION DESCRIPTION	SIGNATURE	DATE	UNIT:mm	SCALE:1:1	SHEET:1/1	PROJECTION	VER.:A5	DRAWING NO.:2502H01-C-S		