

**RoHS**  
COMPLIANT

**SPECIFICATIONS**

1. Current rating: 3A AC, DC
2. Voltage rating: 250V AC,DC
3. Temperature range: -40°C ~ +105°C
4. Insulation resistance: 1000MΩ/ min.
5. Withstanding voltage: 1000V AC/ minute.
6. Contact resistance: 10mΩ/ max.

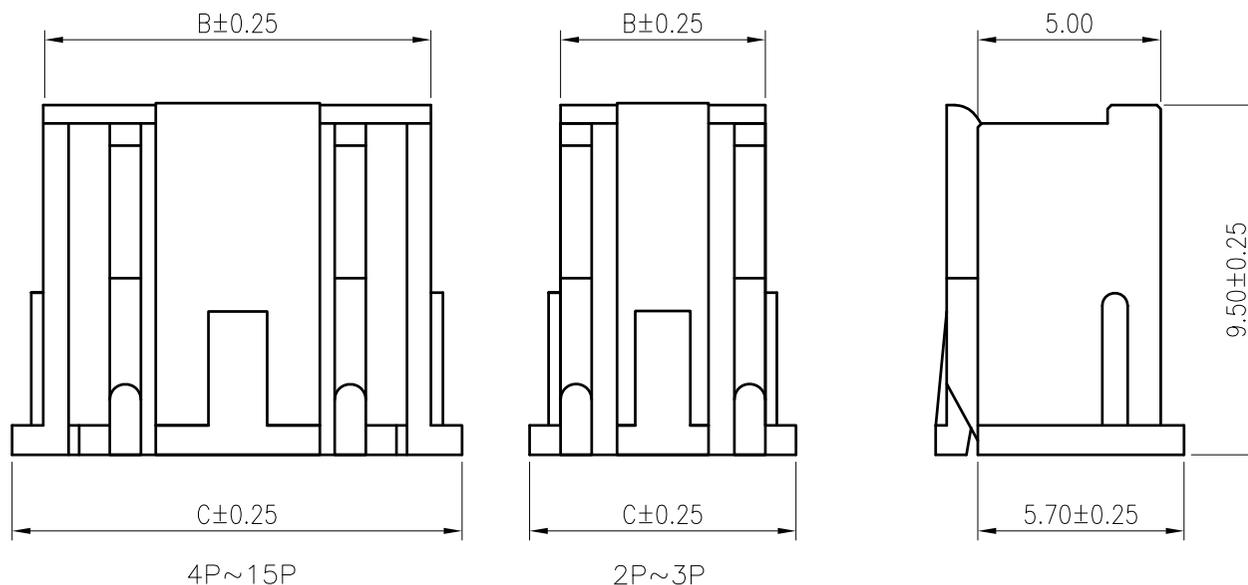
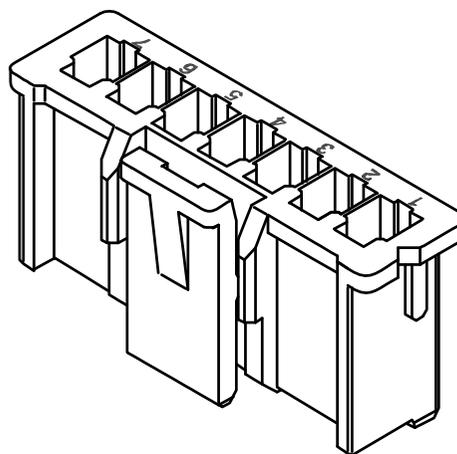
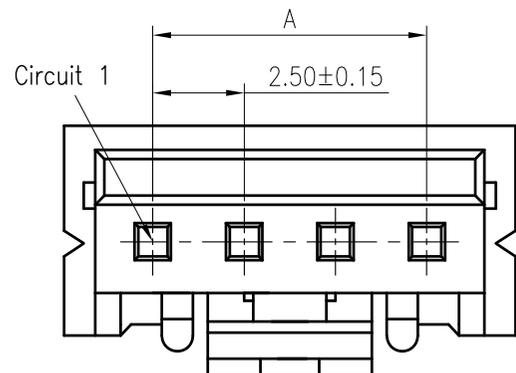
Material: PA 66 UL94 V-0  
Suitable KR2516 series terminal  
Mate With KR2516 series wafer

Ordering Code:

H2516 0 102 01 01A

No. of Circuits  
102:2,115:15

Insulator Material  
01:PA66 White V0



Circuits	Dimension		
	A	B	C
2	2.50	5.64	7.30
3	5.00	8.14	9.80
4	7.50	10.64	12.30
5	10.00	13.14	14.80
6	12.50	15.64	17.30
7	15.00	18.14	19.80
8	17.50	20.64	22.30
9	20.00	23.14	24.80
10	22.50	25.64	27.30
11	25.00	28.14	29.80
12	27.50	30.64	32.30
13	30.00	33.14	34.80
14	32.50	35.64	37.30
15	35.00	38.14	39.80



MARK

Uniformly arrange the drawings Arvin 2020.05.29

TOLERANCE  
X.X ±0.30  
X.XX ±0.20  
X.XXX ±0.10  
Angle ±2°

TITLE:  
XA2.5 Housing

DRAWN: Arvin 2020.05.29

CHECKED:

APPROVED:

UNIT:mm SCALE:N/A

SHEET:1/1

PROJECTION

**KONNRA** 东莞市康瑞电子有限公司  
DongGuan Konnra Electronics Co.,Ltd.

PART NO.:H25160\*\*\*0101A

REV.:A2 DRAWING NO.:2516H101-A-S