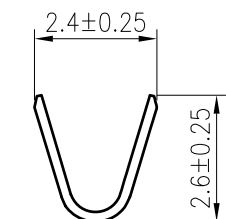
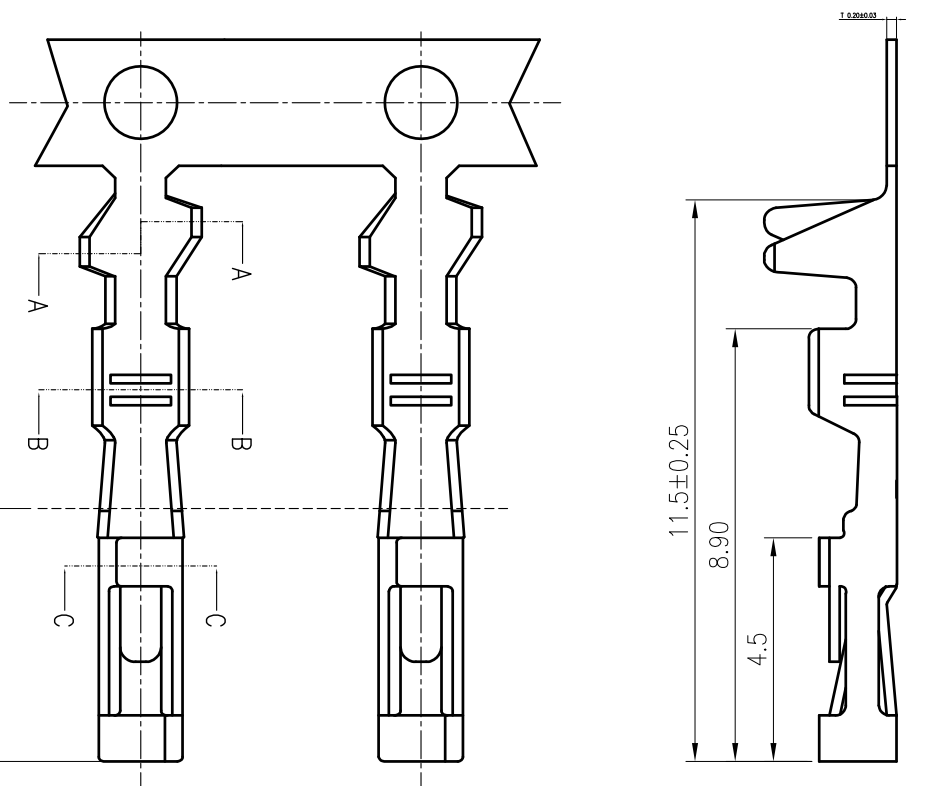
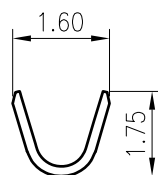


**RoHS**  
COMPLIANT

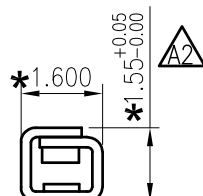
Selective gold plated Area



SECTION A-A



SECTION B-B



SECTION C-C

**SPECIFICATIONS**

1. Current rating: 3A AC, DC
2. Voltage rating: 250V AC, DC
3. Temperature range: -40°C ~ +105°C
4. Insulation resistance: 1000MΩ/ min.
5. Withstanding voltage: 1500V AC/ minute.
6. Contact resistance: 20mΩ/ max.

Material: Brass

Plating: Tin plated or Selective gold flash over Nickel

Applicable wires:

AWG #28~#22

Insulation O.D.: 1.70mm Max.

Suitable KR2542 series housing

Qty/reel: 10,000PCS

"\*" 为重点检验尺寸

Ordering Code:

T2542FB T01 01D

Plating

T01: Tin plated

B01: Selective gold flash



MARK

Uniformly arrange the drawings

Arvin

2020.06.12

TOLERANCE  
X.X ±0.30  
X.XX ±0.20  
X.XXX ±0.10  
Angle ±2°

TITLE:  
DP2.54 Female  
Terminal

UNIT: mm

SCALE: N/A

DRAWN: Arvin 2020.06.12

CHECKED:

APPROVED:

SHEET: 1/1

PROJECTION

**KONNRA** 东莞市康瑞电子有限公司

DongGuan Konnra Electronics Co., Ltd.

PART NO.: T2542FB\*\*\*01D

REV.: A1

DRAWING NO.: 2542TF101-D-S

1

2

3

4

5

6

7

8

9