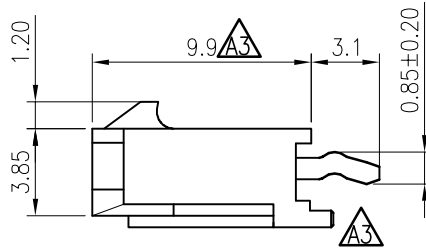
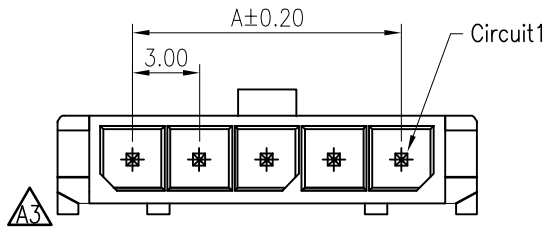


RoHS  
COMPLIANT



**SPECIFICATIONS**

1. Current rating: 5A AC, DC
2. Voltage rating: 250V AC, DC
3. Temperature range: -40°C ~ +105°C
4. Insulation resistance: 1000MΩ Min.
5. Withstanding voltage: 1500V AC/ minute.
6. Contact resistance: 10mΩ Max.

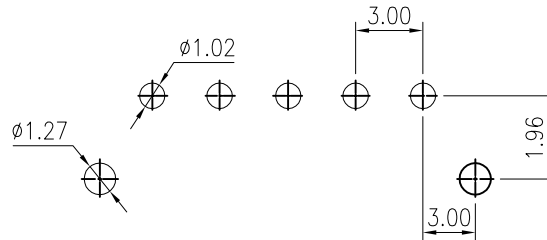
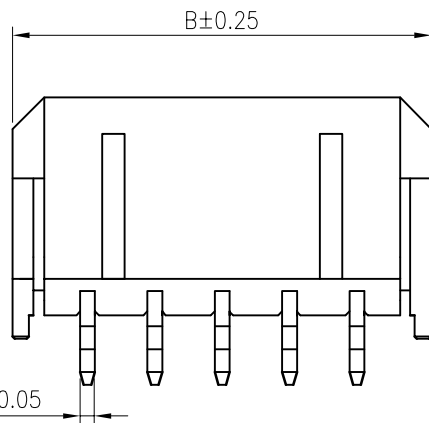
**Material:**

Insulator: PA9T UL 94V-0  
 Contact: Brass  
 Plating: Tin plated over nickel  
 Circuits: 2~12  
 Mate with KR3000 series single row housing

**Ordering Code:**

**A3** C3000VD \*\*\* 12 T0101 R A

No. of Circuits: 102:2P, 103:3P.....  
 Insulator Material: 12:PA9T Black  
 Packing: R: Reel Tape, P: Bag



**Recommended P.C.B. Layout**  
 Total tolerance: ±0.05mm

PIN NO.	DIMENSIONS	
	A	B
2P	3.00	9.65
3P	6.00	12.65
4P	9.00	15.65
5P	12.00	18.65
6P	15.00	21.65
7P	18.00	24.65
8P	21.00	27.65
9P	24.00	30.65
10P	27.00	33.65
11P	30.00	36.65
12P	33.00	39.65

F	<b>A4</b>	Uniformly arrange the drawings	Arvin	2021.09.17	<b>TOLERANCE</b> X. X ±0.30 X. XX ±0.20 X. XXX ±0.10 Angle ±2°	<b>TITLE:</b> MK3.0 DIP 180° Wafer Single Row	DRAWN: ru yi 2020.03.10		KONNRA 东莞市康瑞电子有限公司 DongGuan Konnra Electronics Co., Ltd.		
	<b>A3</b>	Change the Product view	Arvin	2020.06.22			CHECKED:				
	<b>A2</b>	Change the part number and frame format	Ru yi	2020.3.10			APPROVED:		PART NO. : C3000VD***12T0101*A		
	<b>MARK</b>	<b>REVISION DESCRIPTION</b>	<b>SIGNATURE</b>	<b>DATE</b>			<b>UNIT: mm</b>	<b>SCALE: N/A</b>	<b>SHEET: 1/1</b>	<b>PROJECTION</b>	<b>REV. : A4</b>
	1	2	3	4	5	6	7	8	9		