

RoHS
COMPLIANT

SPECIFICATIONS

1. Current rating: 5A AC, DC
2. Voltage rating: 250V AC,DC
3. Temperature range: -40°C ~ +105°C
4. Insulation resistance: 1000MΩ Min.
5. Withstanding voltage: 1500V AC/ minute.
6. Contact resistance: 10mΩ Max.

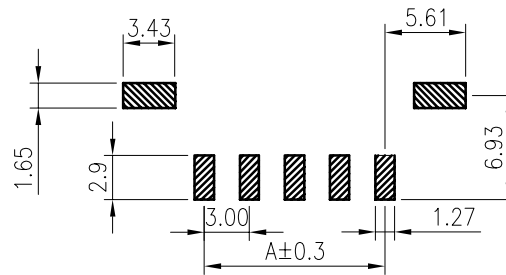
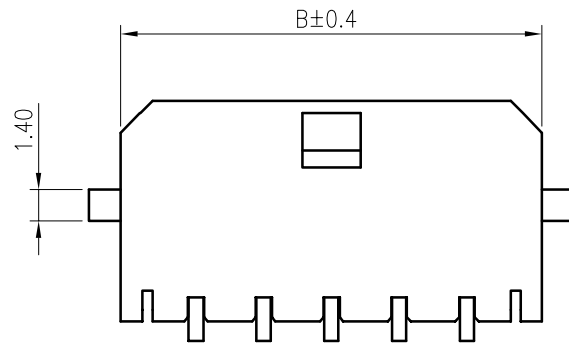
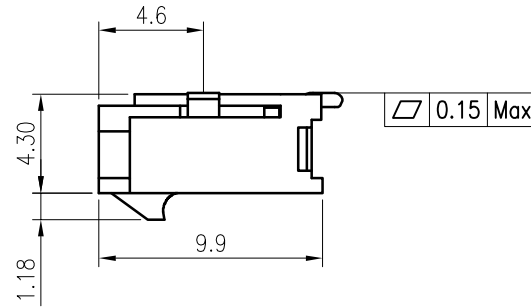
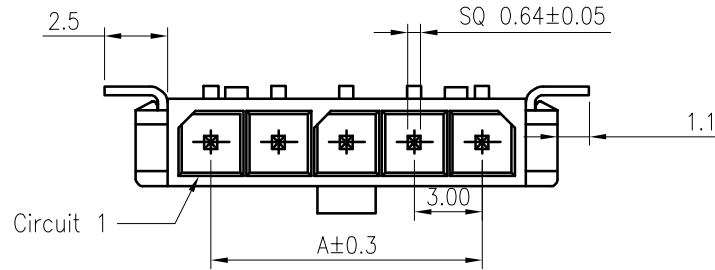
Material:

Insulator: LCP UL 94V-0
 Contact: Brass
 Plating: Tin plated over nickel
 Circuits: 2~12
 Mate with KR3000 series single row housing

Ordering Code:

AA C3000RS *** 14M0101 R A

No. of Circuits: 102:2P, 103:3P..... Packing: R: Reel Tape, P: Bag
 Insulator Material: 14:LCP Black



Recommended P.C.B. Layout
Total tolerance:±0.05mm

| PIN NO. | DIMENSIONS | |
|---------|------------|-------|
| | A | B |
| 2P | 3.00 | 9.65 |
| 3P | 6.00 | 12.65 |
| 4P | 9.00 | 15.65 |
| 5P | 12.00 | 18.65 |
| 6P | 15.00 | 21.65 |
| 7P | 18.00 | 24.65 |
| 8P | 21.00 | 27.65 |
| 9P | 24.00 | 30.65 |
| 10P | 27.00 | 33.65 |
| 11P | 30.00 | 36.65 |
| 12P | 33.00 | 39.65 |

| MARK | REVISION | DESCRIPTION | SIGNATURE | DATE | TOLERANCE | TITLE: | DRAWN: | CHECKED: | APPROVED: | REV. : | DRAWING NO. : |
|-----------|----------|---|-----------|------------|---------------|--|------------------|------------|------------|--------|----------------|
| AA | | | | | X. X ± 0.30 | MK3.0 SMT 90° Wafer With Solder Tab Single Row | ru yi 2020.03.10 | | | A3 | 3000WRS101-A-S |
| A3 | 1 | Uniformly arrange the drawings | Arvin | 2021.09.22 | X. XX ± 0.20 | | | | | | |
| A2 | 2 | Change the part number and frame format | Ru yi | 2020.3.10 | X. XXX ± 0.10 | | | | | | |
| | 1 | | | | Angle ± 2° | UNIT: mm | SCALE: N/A | SHEET: 1/1 | PROJECTION | | |

KONNRA 东莞市康瑞电子有限公司
DongGuan Konnra Electronics Co., Ltd.

PART NO. : C3000RS***14M0101RA

REV. : A3 DRAWING NO. : 3000WRS101-A-S