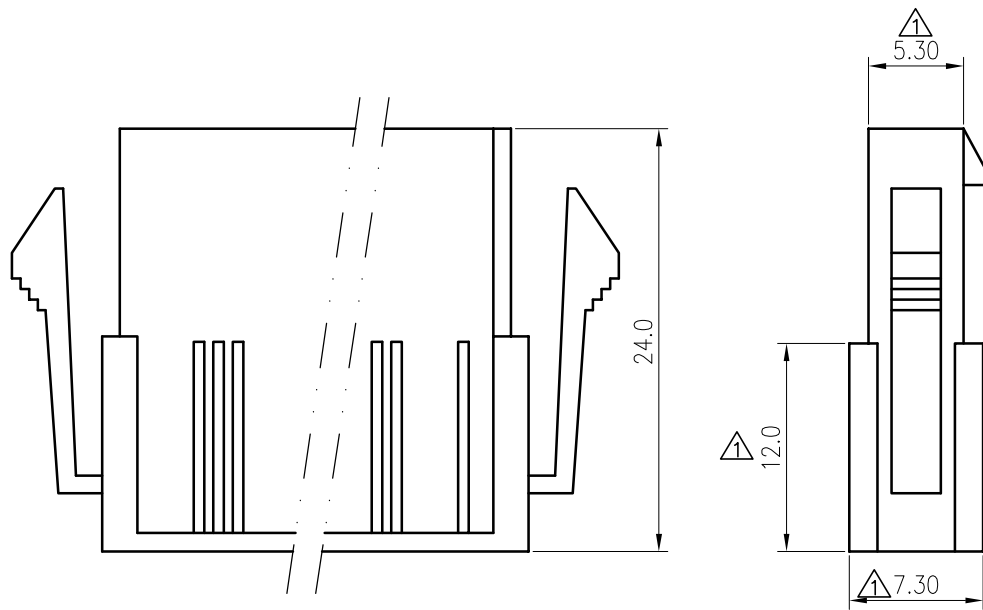
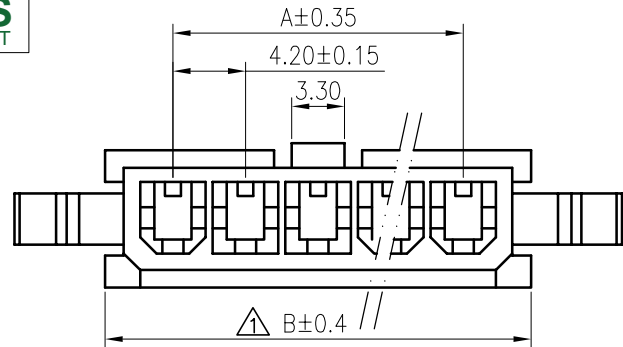


RoHS
COMPLIANT



SPECIFICATIONS

1. Current rating: 9A AC, DC
2. Voltage rating: 600V AC,DC
3. Temperature range: -40°C ~ +105°C
4. Insulation resistance: 1000MΩ Min.
5. Withstanding voltage: 1500V AC/ minute.
6. Contact resistance: 10mΩ Max.

Material: PA 66 UL 94V-2
Suitable KR4200 series terminal
Mate with KR4200 series wafer

Ordering Code:

H4200F *** 16 01A

No. of Circuits 102:2,106:6
Insulator Material 16:PA66 Transparent V2

Circuits	Dimensions	
	A	B
2	4.20	11.70
3	8.40	15.90
4	12.60	20.10
5	16.80	24.30
6	21.00	28.50

F					TOLERANCE X. X ±0.30 X. XX ±0.20 X. XXX ±0.10 Angle ±2°	TITLE: MK4.2 Single Row Female Housing	DRAWN: Liujingtian 2020.5.22		KONNRA 东莞市康瑞电子有限公司 DongGuan Konnra Electronics Co., Ltd.		
		Uniformly arrange the drawings	ZSZ	2022.01.16			CHECKED:				
		Change the part number and frame format	LJT	2020.05.22			APPROVED:		PART NO. : H4200F***1601A		
	MARK	REVISION DESCRIPTION	SIGNATURE	DATE			UNIT: mm	SCALE: N/A	SHEET: 1/1	PROJECTION	REV. : A3
	1	2	3	4	5	6	7	8	9		