

RoHS
COMPLIANT

SPECIFICATIONS

1. Current rating: 9A(2P AWG#16) AC, DC
2. Voltage rating:600V AC,DC
3. Temperature range: -40°C ~ +105°C
4. Insulation resistance: 1000MΩ/ min.
5. Withstanding voltage: 1500V AC/ minute.
6. Contact resistance: 10mΩ/ max.

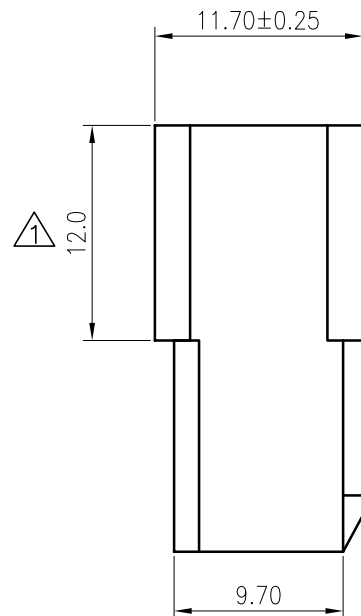
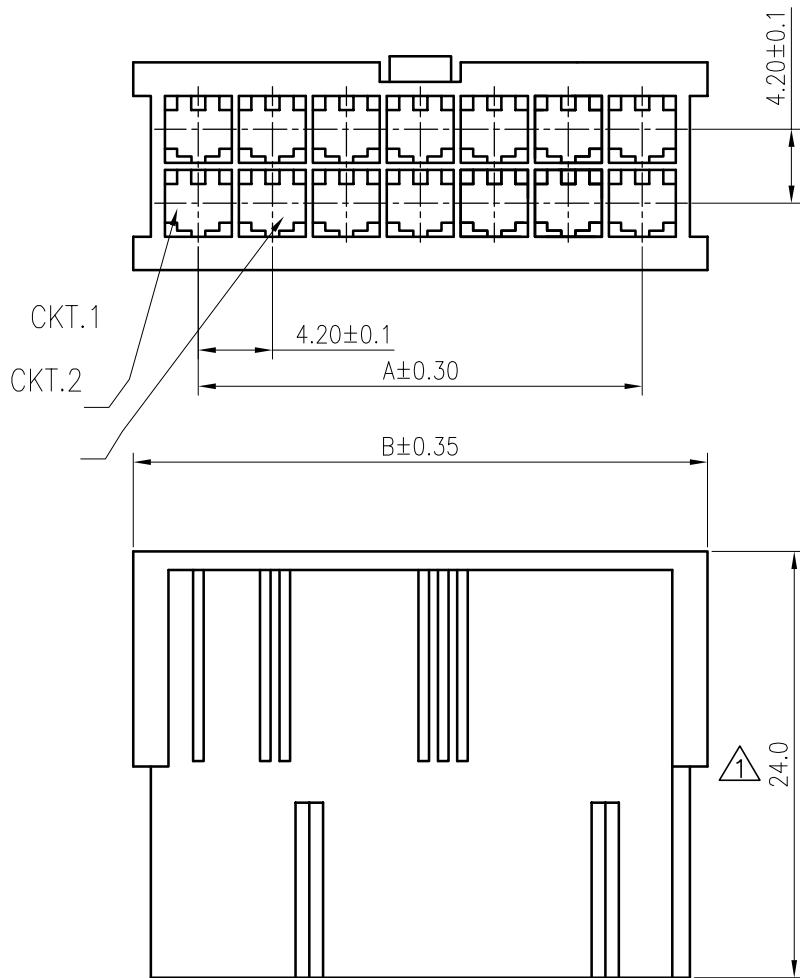
Material: Nylon 66 UL94 V-2 or V-0
 Suitable KR4200 series female terminal
 Mate with KR4200 series double row male housing

Ordering Code:

H4200F *** ** 02A

No. of Circuits
 201:2x1,212:2x12
 Insulator Material
 01:PA66 White V0
 02:PA66 Black V0
 04:PA66 Black V2
 16:PA66 Transparent V2
 38:PA66 Blue V2
 39:PA66 Green V2

Circuits	Dimensions		Circuits	Dimensions	
	A	B		A	B
2x1	/	7.50	2x7	25.20	32.70
2x2	4.20	11.70	2x8	29.40	36.90
2x3	8.40	15.90	2x9	33.60	41.10
2x4	12.60	20.10	2x10	37.80	45.30
2x5	16.80	24.30	2x11	42.00	49.50
2x6	21.00	28.50	2x12	46.20	53.70



F					TOLERANCE X. X ±0.30 X. XX ±0.20 X. XXX ±0.10 Angle ±2°	TITLE: MK4.2 Double Row Female Housing Without wings	DRAWN: Liujingian 2020.5.22		KONNRA 东莞市康瑞电子有限公司	
		Uniformly arrange the drawings	ZSZ	2022.01.16			CHECKED:		DongGuan Konnra Electronics Co., Ltd.	
		Change the part number and frame format	LJT	2020.03.25			APPROVED:		PART NO.: H4200F xxx xx02A	
	MARK	REVISION DESCRIPTION	SIGNATURE	DATE			UNIT: mm	SCALE: N/A	SHEET: 1/1	PROJECTION
	1	2	3	4	5	6	7	8	9	