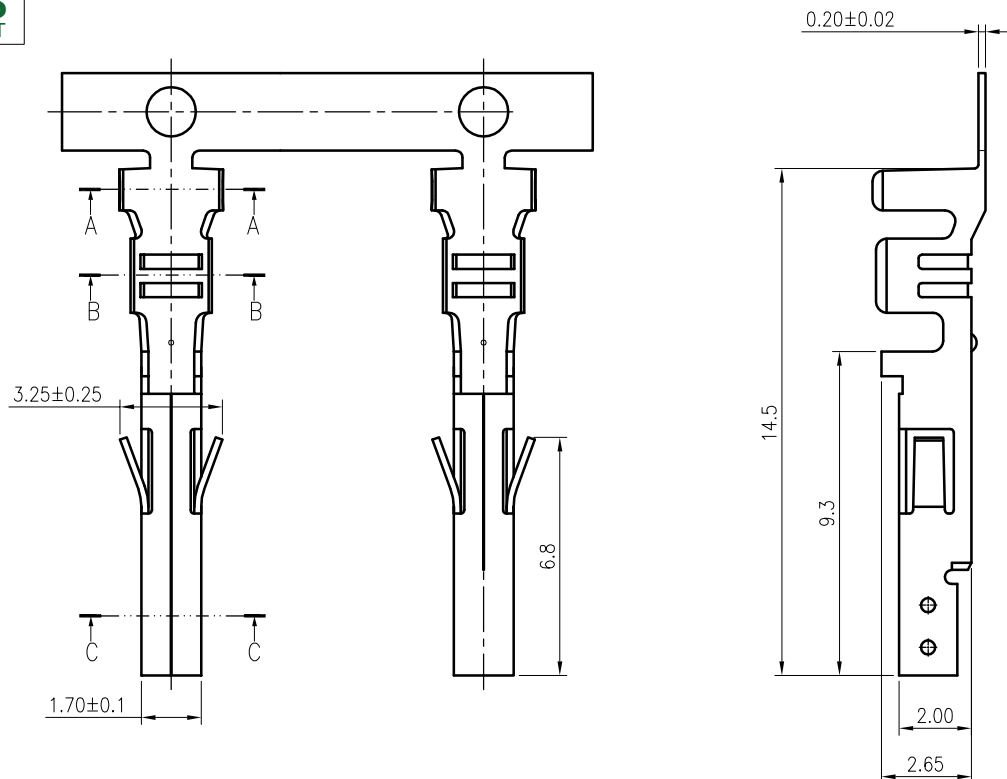


RoHS
COMPLIANT



SPECIFICATIONS

1. Current rating: 9A AC, DC(AWG#16,2 Circuit)
2. Voltage rating:600V AC,DC
3. Temperature range: -40°C ~ +105°C
4. Insulation resistance: 1000MΩ/ min.
5. Withstanding voltage: 1500V AC/ minute.
6. Contact resistance: 10mΩ/ max.

Material: Brass

Plating: Tin plated over Nickel

Applicable wire:

Conductor size: AWG#18~#22

Insulation O.D.: 2.50mm Max.

Q'ty/reel: 4,500pcs

Suitable KR4200 series male housing

Ordering Code:

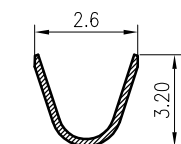
T4200FB T01 03B

Plating

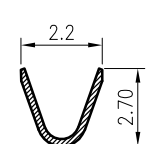
T01: Tin plated

G01: Gold plated 0.8u"

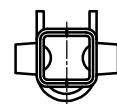
B01: Selective gold plated 0.8u"



SECTION A-A



SECTION B-B



SECTION C-C

F					TOLERANCE X. X ± 0.30 X. XX ± 0.20 X. XXX ± 0.10 Angle ± 2°	TITLE: MX4.2 Female Terminal medium length foot	DRAWN: Arvin 2020.04.22		KONNRA 东莞市康瑞电子有限公司		
		Uniformly arrange the drawings	ZSZ	2022.01.16			CHECKED:		DongGuan Konnra Electronics Co., Ltd.		
		Change the part number and frame format	Arvin	2020.04.22			APPROVED:		PART NO. : T4200FB***03B		
	MARK	REVISION DESCRIPTION	SIGNATURE	DATE			UNIT: mm	SCALE: N/A	SHEET: 1/1	PROJECTION	VER. : A3
	1	2	3	4	5	6	7	8	9		