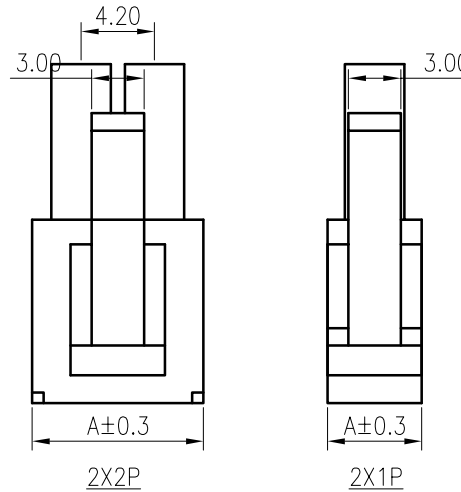
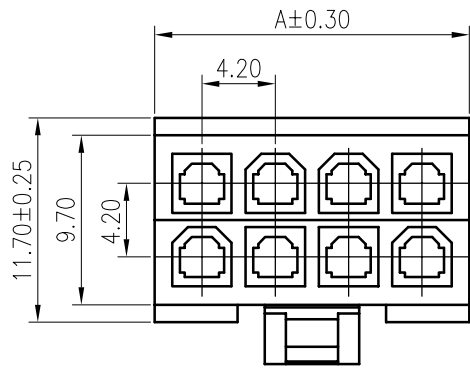


**RoHS**  
COMPLIANT



**SPECIFICATIONS**

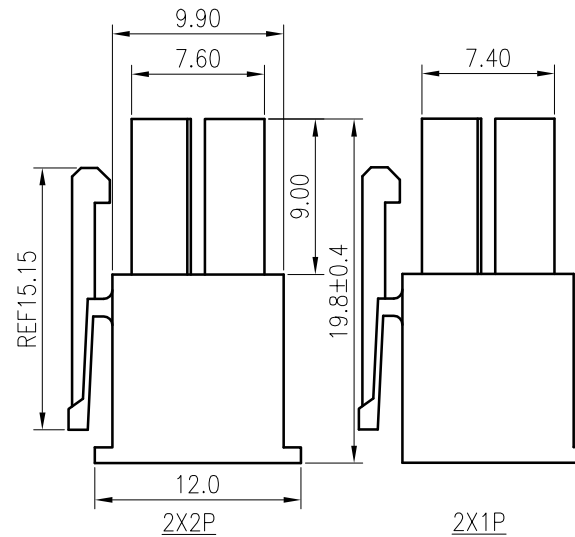
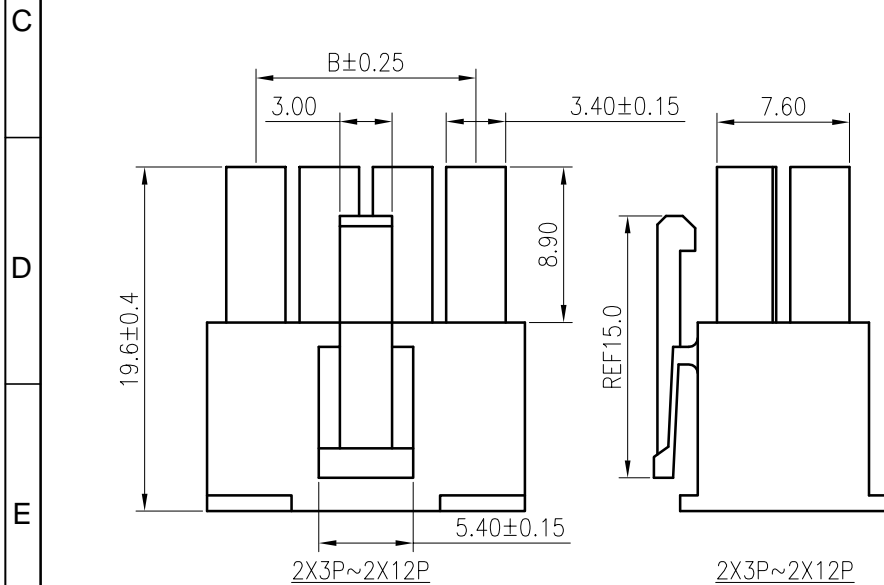
1. Current rating: 9A(2P AWG#16) AC, DC
2. Voltage rating:600V AC,DC
3. Temperature range: -40°C ~ +105°C
4. Insulation resistance: 1000MΩ/ min.
5. Withstanding voltage: 1500V AC/ minute.
6. Contact resistance: 10mΩ/ max.

Material: Nylon 66 UL94 V-2 or V-0  
Suitable KR4200 series female terminal  
Mate with KR4200 series double row female housing or wafer

Ordering Code:

H4200M \*\*\* \*\* 01A

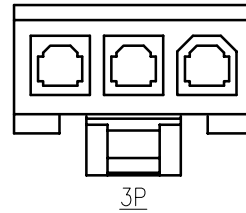
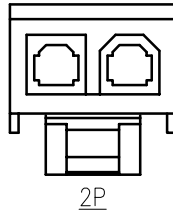
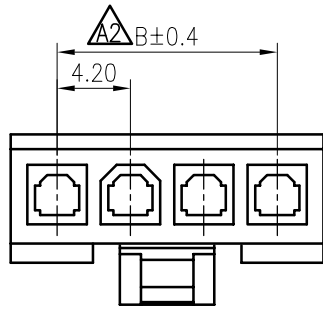
No. of Circuits  
201:2x1,212:2x12  
Insulator Material  
01:PA66 White V0  
02:PA66 Black V0  
04:PA66 Black V2  
16:PA66 Transparent V2  
38:PA66 Blue V2  
39:PA66 Green V2



Circuits	Dimensions		Circuits	Dimensions	
	A	B		A	B
2x1	5.50		2x7	30.70	25.20
2x2	9.70	4.20	2x8	34.90	29.40
2x3	13.90	8.40	2x9	39.10	33.60
2x4	18.10	12.60	2x10	43.30	37.80
2x5	22.30	16.80	2x11	47.50	42.00
2x6	26.50	21.00	2x12	51.70	46.20

F					<b>TOLERANCE</b> X.X ±0.30 X.XX ±0.20 X.XXX ±0.10 Angle ±2°	<b>TITLE:</b> MK4.2 Double Row Male Housing	DRAWN: Arvin 2020.03.25		<b>KONNRA</b> 东莞市康瑞电子有限公司 DongGuan Konnra Electronics Co., Ltd.	
							CHECKED:			
		Uniformly arrange the drawings	ZSZ	2022.01.16			APPROVED:		PART NO. : H4200M xxx xx01A	
	<b>MARK</b>	<b>REVISION DESCRIPTION</b>	<b>SIGNATURE</b>	<b>DATE</b>			<b>UNIT: mm</b>	<b>SCALE: N/A</b>	<b>SHEET: 1/1</b>	<b>PROJECTION</b>
	1	2	3	4	5	6	7	8	9	

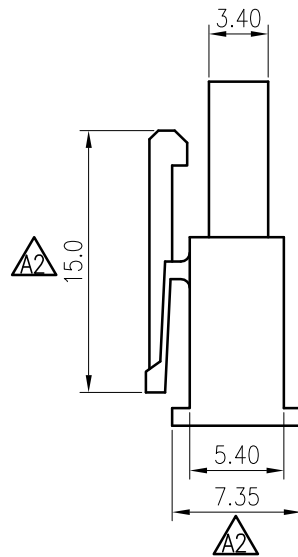
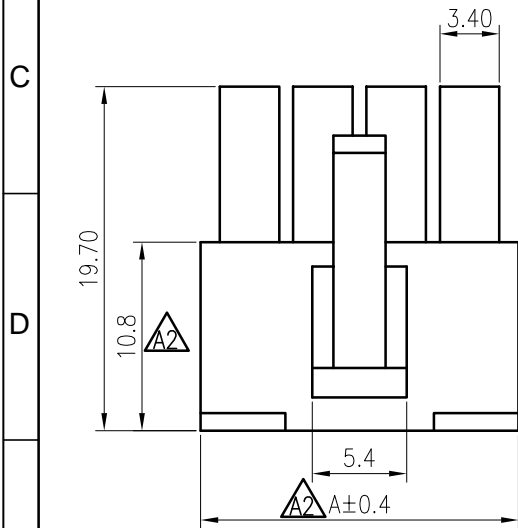
RoHS  
COMPLIANT



**SPECIFICATIONS**

1. Current rating: 9A(2P AWG#16) AC, DC
2. Voltage rating:600V AC,DC
3. Temperature range: -40°C ~ +105°C
4. Insulation resistance: 1000MΩ/ min.
5. Withstanding voltage: 1500V AC/ minute.
6. Contact resistance: 10mΩ/ max.

Material: Nylon 66 UL94 V-2 or V-0  
Suitable KR4200 series female terminal  
Mate with KR4200 series single row female housing or wafer



**Ordering Code:**

H4200M \*\*\* \*\* 01A

No. of Circuits  
102:2,106:6

Insulator Material

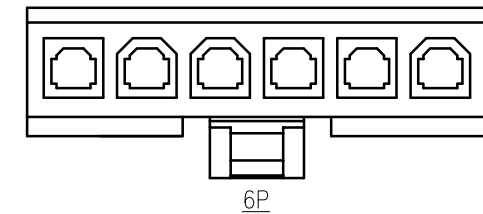
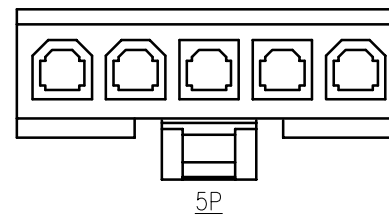
01:PA66 White V0

02:PA66 Black V0

04:PA66 Black V2

16:PA66 Transparent V2

Circuits	Dimensions	
	A	B
2	9.55	4.20
3	13.75	8.40
4	17.90	12.60
5	22.25	16.80
6	26.60	21.00



A5

A4

A3

MARK

Uniformly arrange the drawings  
Change the part number and frame format

ZSZ  
Arvin

2022.01.16  
2020.04.20

TOLERANCE  
X.X ±0.30  
X.XX ±0.20  
X.XXX ±0.10  
Angle ±2°

TITLE:  
MK4.2 Single Row  
Male Housing

UNIT: mm SCALE: N/A

DRAWN: Arvin 2020.04.20

CHECKED:

APPROVED:

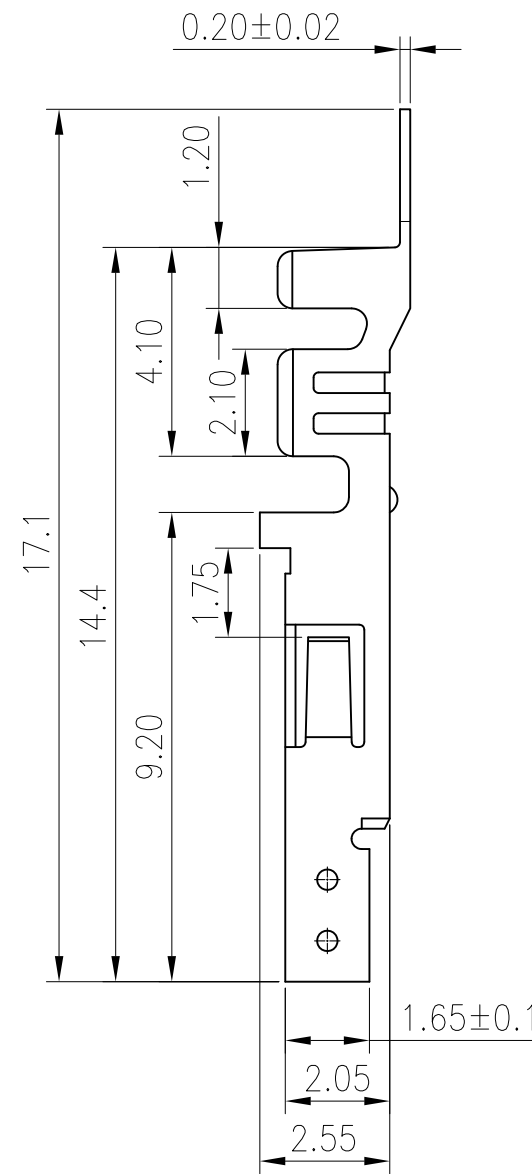
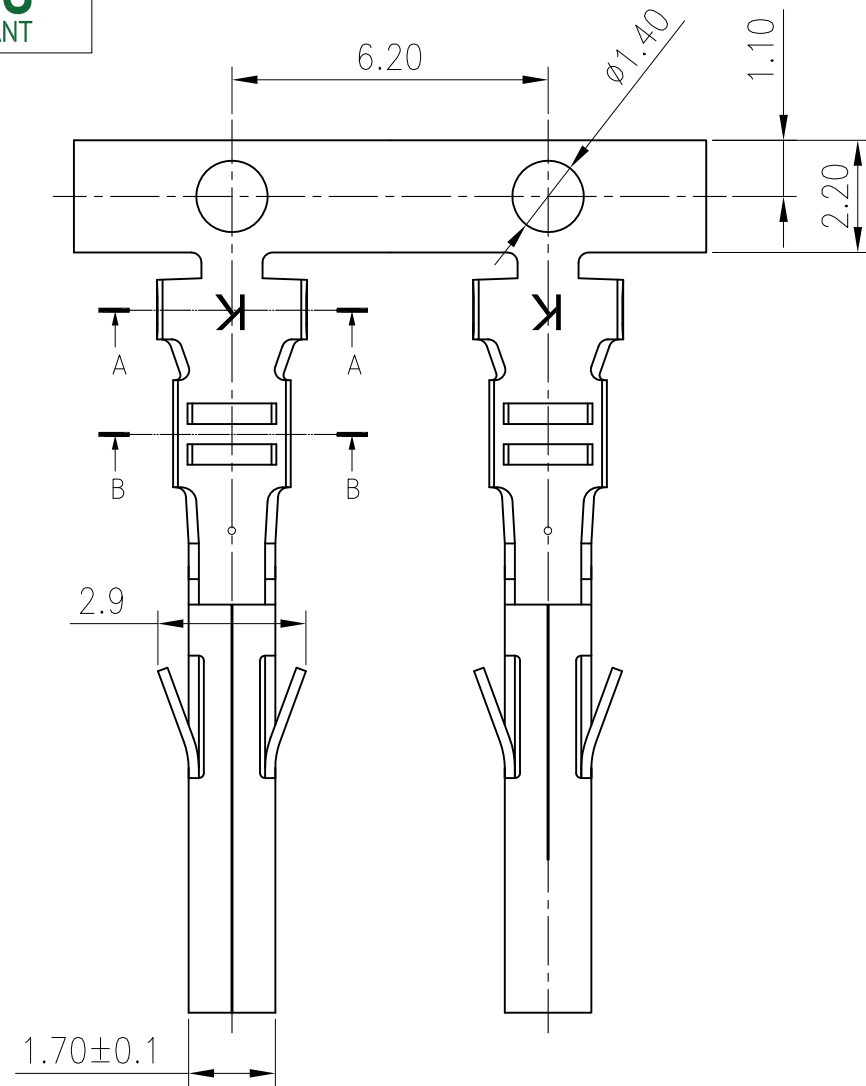
SHEET: 1/1 PROJECTION

KONNRA 东莞市康瑞电子有限公司  
DongGuan Konnra Electronics Co., Ltd.

PART NO. : H4200M xxx xx01A

REV. : A4 DRAWING NO. : 4200HM01-A-S

**RoHS**  
COMPLIANT



◆ SPECIFICATIONS

- Current rating: 9A AC, DC(AWG#16,2 Circuit)
- Voltage rating: 600V AC,DC
- Temperature range: -40°C ~ +105°C
- Insulation resistance: 1000MΩ Min.
- Withstanding voltage: 1500V AC/ minute.
- Contact resistance: 10mΩ Max.

Material: Brass or Phosphor Bronze

Plating: Tin plated over Nickel

Applicable wire:

Conductor size: AWG#20~#24

Insulation O.D.: 1.10mm~1.80mm

Q'ty/reel: 10,000pcs

Ordering Code:

T4200F\*\*\*\*02A

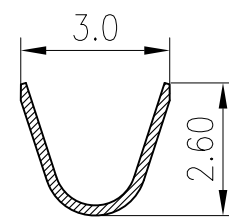
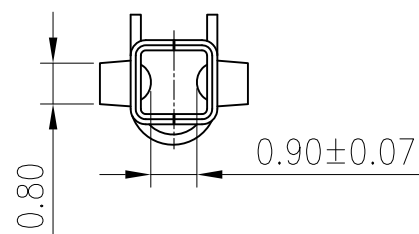
B:BRASS

S00:Material

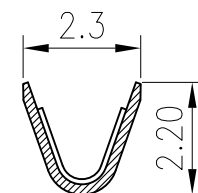
P:Phosphorus

T01: Tin Plated

copper



SECTION A-A



SECTION B-B



MARK

MARK	REVISION DESCRIPTION	SIGNATURE	DATE
A4			
A3	Uniformly arrange the drawings	Shen	2021.09.22
A2	Change the part number and frame format	TLX	2020.05.14

TOLERANCE

X.X ±0.3

X.XX ±0.2

X.XXX ±0.1

Angle ±1°

TITLE:  
MX4.2 Male Terminal  
short foot

UNIT:mm

SCALE:1/1

DRAWN: Shen 2021.09.22

CHECKED:

APPROVED:

SHEET:1/1

PROJECTION

**KONNRA** 东莞市康瑞电子有限公司

DongGuan Konnra Electronics Co.,Ltd.

PART NO.:T4200F\*\*\*\*02A

REV.:A3

DRAWING NO.:4200TF01-A-S

1

2

3

4

5

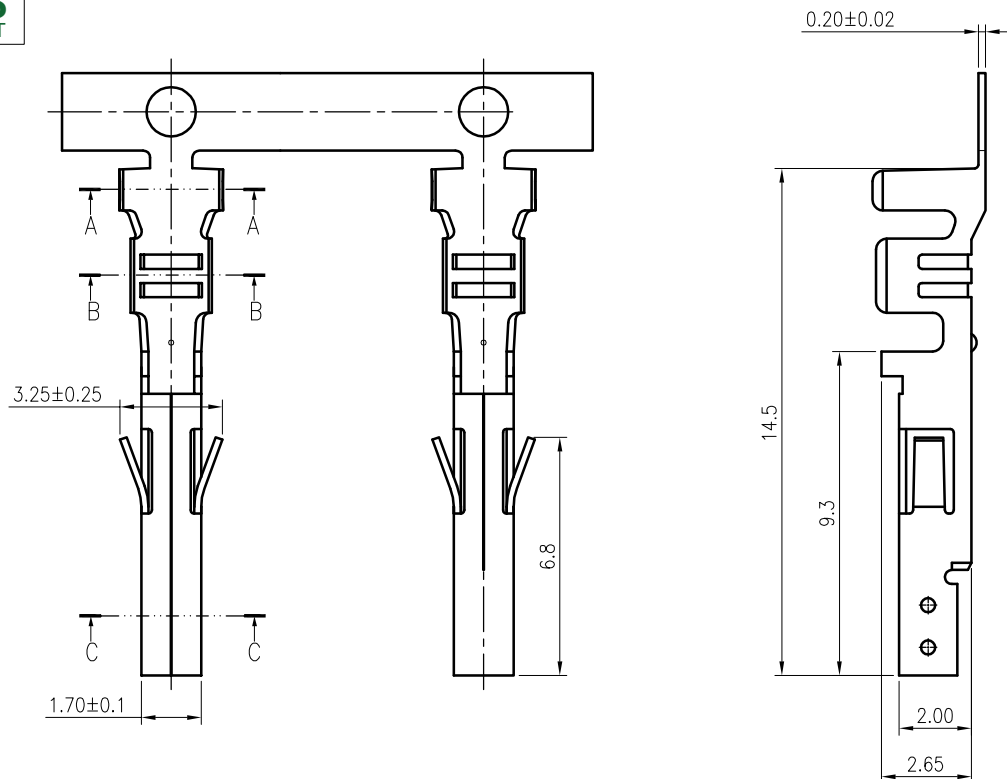
6

7

8

9

**RoHS**  
COMPLIANT



**SPECIFICATIONS**

1. Current rating: 9A AC, DC(AWG#16,2 Circuit)
2. Voltage rating:600V AC,DC
3. Temperature range: -40°C ~ +105°C
4. Insulation resistance: 1000MΩ/ min.
5. Withstanding voltage: 1500V AC/ minute.
6. Contact resistance: 10mΩ/ max.

Material: Brass

Plating: Tin plated over Nickel

Applicable wire:

Conductor size: AWG#18~#22

Insulation O.D.: 2.50mm Max.

Q'ty/reel: 4,500pcs

Suitable KR4200 series male housing

Ordering Code:

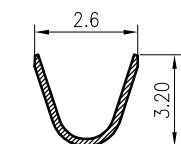
T4200FB T01 03B

Plating

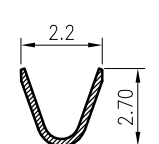
T01: Tin plated

G01: Gold plated 0.8u"

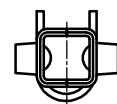
B01: Selective gold plated 0.8u"



SECTION A-A



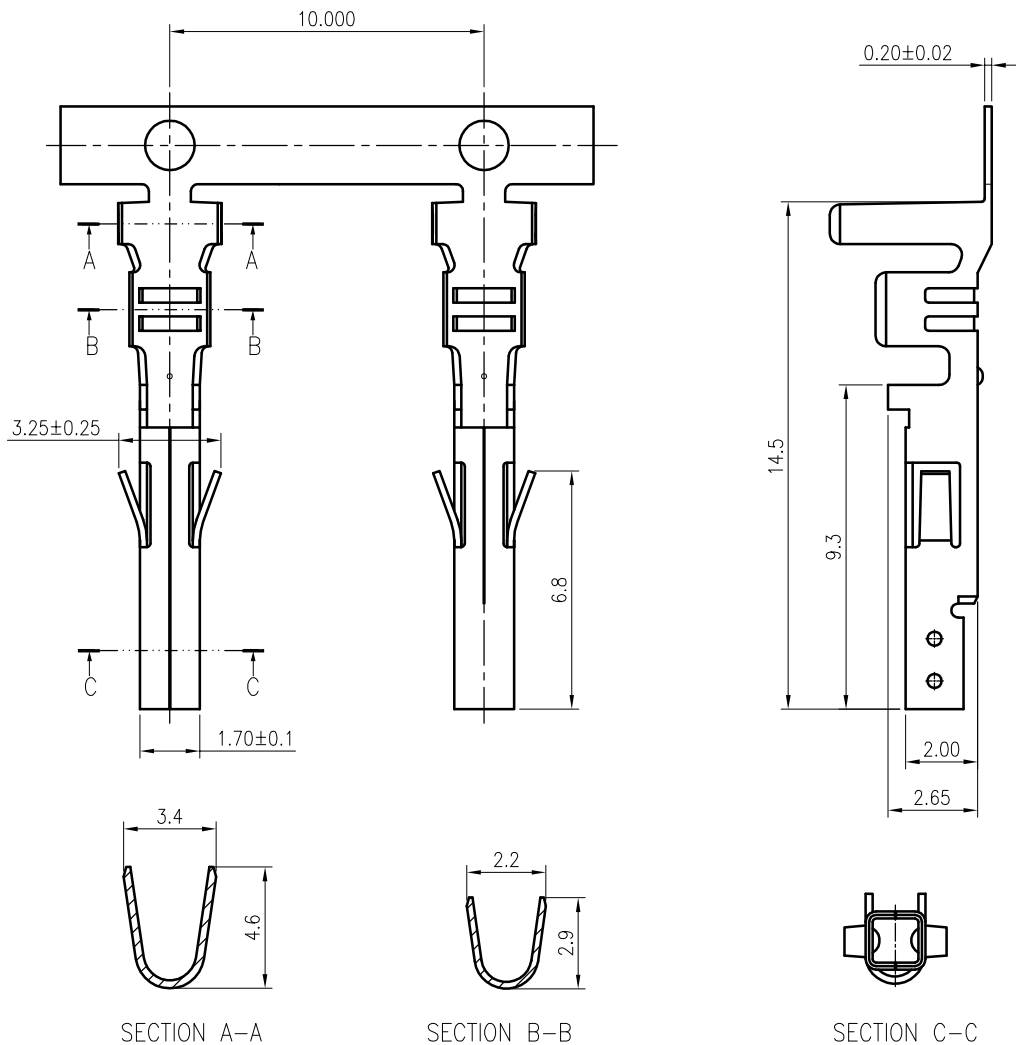
SECTION B-B



SECTION C-C

F					<b>TOLERANCE</b> X. X ± 0.30 X. XX ± 0.20 X. XXX ± 0.10 Angle ± 2°	<b>TITLE:</b> MX4.2 Female Terminal medium length foot	DRAWN: Arvin 2020.04.22		KONNRA 东莞市康瑞电子有限公司		
		Uniformly arrange the drawings	ZSZ	2022.01.16			CHECKED:		DongGuan Konnra Electronics Co., Ltd.		
		Change the part number and frame format	Arvin	2020.04.22			APPROVED:		PART NO. : T4200FB***03B		
	<b>MARK</b>	<b>REVISION DESCRIPTION</b>	<b>SIGNATURE</b>	<b>DATE</b>			<b>UNIT: mm</b>	<b>SCALE: N/A</b>	<b>SHEET: 1/1</b>	<b>PROJECTION</b>	<b>VER. : A3</b>
	1	2	3	4	5	6	7	8	9		

**RoHS**  
COMPLIANT



**SPECIFICATIONS**

1. Current rating: 9A AC, DC(AWG#16,2 Circuit)
2. Voltage rating:600V AC,DC
3. Temperature range: -40°C ~ +105°C
4. Insulation resistance: 1000MΩ/ min.
5. Withstanding voltage: 1500V AC/ minute.
6. Contact resistance: 10mΩ/ max.

Material: Brass or phosphor bronze

Plating: Tin plated over Nickel

Applicable wire:

Conductor size: AWG#16~#20

Insulation O.D.: 3.10mm Max.

Q'ty/reel: 4,500pcs

Suitable KR4200 series male housing

Ordering Code:

T4200F B T01 01 B

Material:

B: Brass

P: Phosphor

Bronze

Plating

T01: Tin plated

G01: Gold plated 0.8u"

B01: Selective gold plated 0.8u"

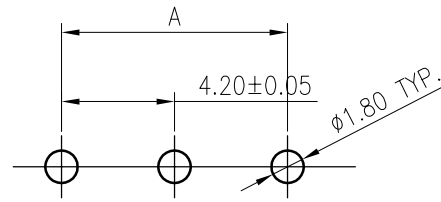
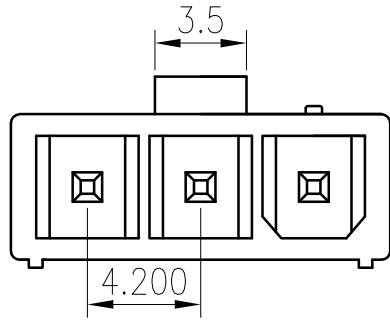
Type

01: Stamping after plating  
High foot

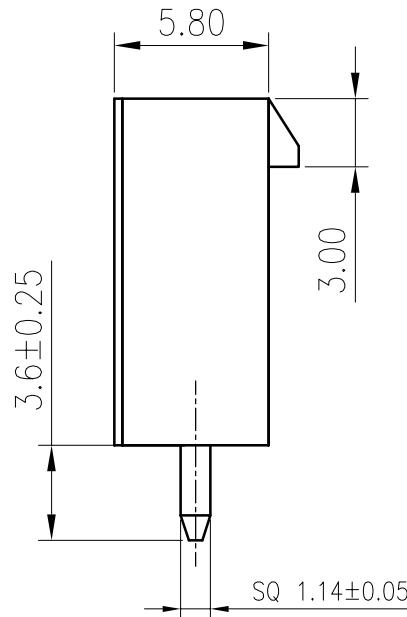
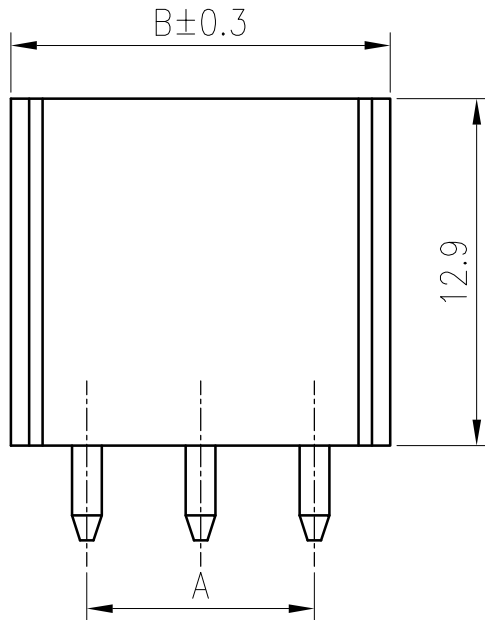
04: Stamping before plating  
High foot

F		Uniformly arrange the drawings	ZSZ	2022.01.16	<b>TOLERANCE</b> X. X ± 0.30 X. XX ± 0.20 X. XXX ± 0.10 Angle ± 2°	<b>TITLE:</b> MX4.2 Female Terminal High foot	DRAWN: Arvin 2020.05.18		KONNRA 东莞市康瑞电子有限公司	
		Change part number description	Arvin	2020.05.18			CHECKED:		DongGuan Konnra Electronics Co., Ltd.	
		Change the part number and frame format	Arvin	2020.04.22			APPROVED:		PART NO. : T4200F*****B	
	MARK	REVISION DESCRIPTION	SIGNATURE	DATE			UNIT: mm	SCALE: N/A	SHEET: 1/1	PROJECTION
	1	2	3	4	5	6	7	8	9	

RoHS  
COMPLIANT



Recommended P.C.Board Layout



**SPECIFICATIONS**

1. Current rating: 9A(2P AWG#16) AC, DC
2. Voltage rating:600V AC,DC
3. Temperature range: -40°C ~ +105°C
4. Insulation resistance: 1000MΩ/ min.
5. Withstanding voltage: 1500V AC/ minute.
6. Contact resistance: 10mΩ/ max.

**Material:**

Insulator: Nylon 66 UL 94V-2

Contact: Brass

Plating: Tin plated over Nickel

Mate with KR4200 series double row male housing

**Ordering Code:**

C4200VD \*\*\* 16 T0101PC

No. of Circuits  
102:2,106:6

Insulator Material  
16:PA66 Transparent V2

Circuits	Dimensions	
	A	B
2	4.20	9.60
3	8.40	13.80
4	12.60	18.00
5	16.80	22.20
6	21.00	26.40

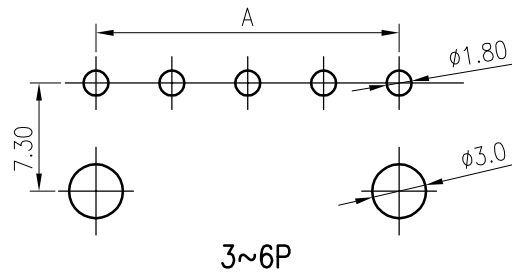
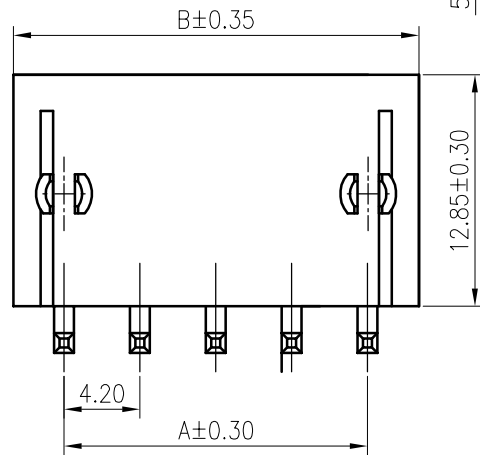
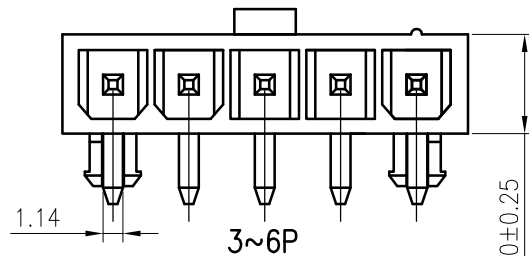
MARK	REVISION	DESCRIPTION	SIGNATURE	DATE
A4				
A3		Uniformly arrange the drawings	ZSZ	2022.01.16
A2		Change the part number and frame format	LJT	2020.05.23

TOLERANCE		TITLE: MX4.2 DIP Single Row 180° Wafer Solid needle without post
X. X	±0.30	
X. XX	±0.20	
X. XXX	±0.10	
Angle ±2°		

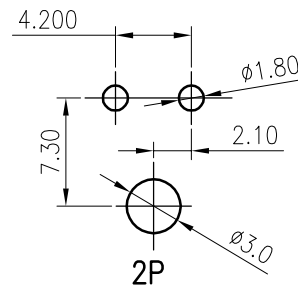
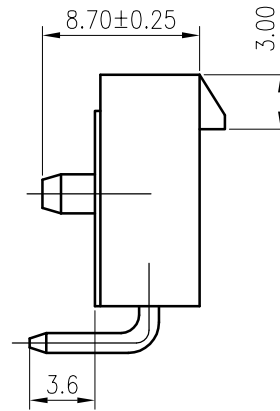
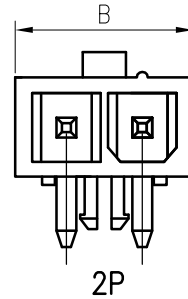
DRAWN: Liujingtian 2020.5.22	
CHECKED:	
APPROVED:	
UNIT: mm	SCALE: N/A
SHEET: 1/1	PROJECTION

KONNRA 东莞市康瑞电子有限公司	
DongGuan Konnra Electronics Co., Ltd.	
PART NO. : C4200VD***16T0101PC	
REV. : A3	DRAWING NO. : 4200WD101-C-S

RoHS  
COMPLIANT



Recommended P.C.B. Layout  
Total tolerance:±0.05mm



Recommended P.C.B. Layout  
Total tolerance:±0.05mm

**SPECIFICATIONS**

1. Current rating: 9A(2P AWG#16) AC, DC
2. Voltage rating:600V AC,DC
3. Temperature range: -40°C ~ +105°C
4. Insulation resistance: 1000MΩ/ min.
5. Withstanding voltage: 1500V AC/ minute.
6. Contact resistance: 10mΩ/ max.

**Material:**

Insulator: Nylon 66 UL94 V-2 or V-0  
Contact: Brass  
Plating: Tin plated over Nickel  
Mate with KR4200 series single row female housing

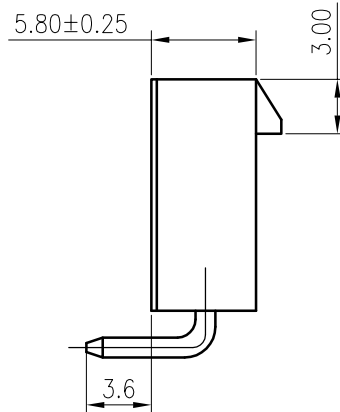
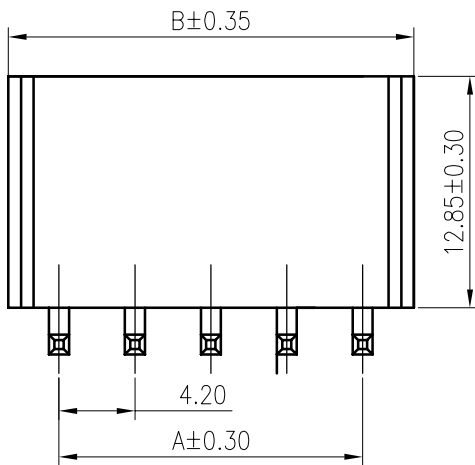
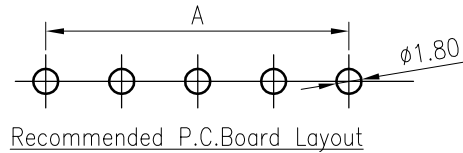
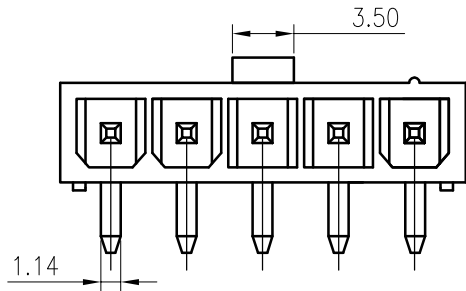
**Ordering Code:**

C4200RD \*\*\* \*\* T0102 \* C  
No. of Circuits } } Packing  
102:2,106:6 } } P:Bag  
Insulator Material } } B:Box  
01:PA66 White V0  
02:PA66 Black V0  
16:PA66 Transparent V2

Circuits	Dimensions	
	A	B
2	4.20	9.60
3	8.40	13.80
4	12.60	18.00
5	16.80	22.20
6	21.00	26.40

F					<b>TOLERANCE</b> X. X ± 0.30 X. XX ± 0.20 X. XXX ± 0.10 Angle ± 2°	<b>TITLE:</b> MX4.2 Single Row 90°Wafer solid needle with post	DRAWN: Arvin 2020.04.27		<b>KONNRA</b> 东莞市康瑞电子有限公司 DongGuan Konnra Electronics Co., Ltd.		
		Uniformly arrange the drawings	ZSZ	2022.01.16			CHECKED:				
		Change the part number and frame format	Arvin	2020.04.27			APPROVED:		PART NO. : C4200RD***16T0102*C		
	<b>MARK</b>	<b>REVISION DESCRIPTION</b>	<b>SIGNATURE</b>	<b>DATE</b>			<b>UNIT: mm</b>	<b>SCALE: N/A</b>	<b>SHEET: 1/1</b>	<b>PROJECTION</b>	<b>REV. : A3</b>
	1	2	3	4	5	6	7	8	9		

RoHS  
COMPLIANT



**SPECIFICATIONS**

1. Current rating: 9A(2P AWG#16) AC, DC
2. Voltage rating:600V AC,DC
3. Temperature range: -40°C ~ +105°C
4. Insulation resistance: 1000M $\Omega$ / min.
5. Withstanding voltage: 1500V AC/ minute.
6. Contact resistance: 10m $\Omega$ / max.

**Material:**

Insulator: Nylon 66 UL 94V-2

Contact: Brass

Plating: Tin plated over Nickel

Mate with KR4200 series double row male housing

**Ordering Code:**

C4200RD \*\*\* 16 T0101 \* C

No. of Circuits  
102:2,106:6

Packing  
P:Bag  
B:Box

Insulator Material

16:PA66 Transparent V2

Circuits	Dimensions	
	A	B
2	4.20	9.60
3	8.40	13.80
4	12.60	18.00
5	16.80	22.20
6	21.00	26.40



MARK

REVISION	DESCRIPTION	SIGNATURE	DATE
A4			
A3	Uniformly arrange the drawings	ZSZ	2022.01.16
A2	Change the part number and frame format	LJT	2020.05.23

**TOLERANCE**

X. X  $\pm 0.30$   
 X. XX  $\pm 0.20$   
 X. XXX  $\pm 0.10$   
 Angle  $\pm 2^\circ$

**TITLE:**  
 MX4.2 DIP Single  
 Row 90° Wafer Solid  
 needle without post

UNIT: mm SCALE: N/A

**DRAWN:** Liujingtian 2020.5.22

**CHECKED:**

**APPROVED:**

SHEET: 1/1 PROJECTION

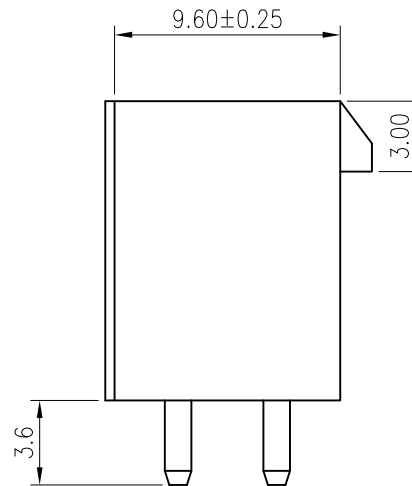
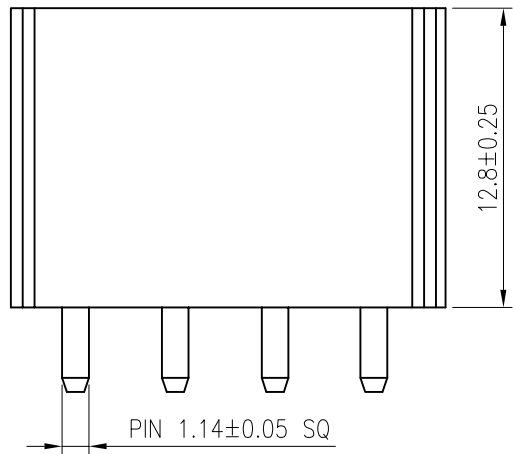
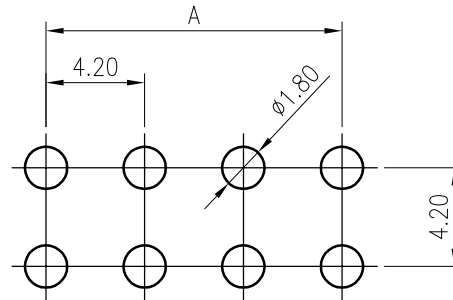
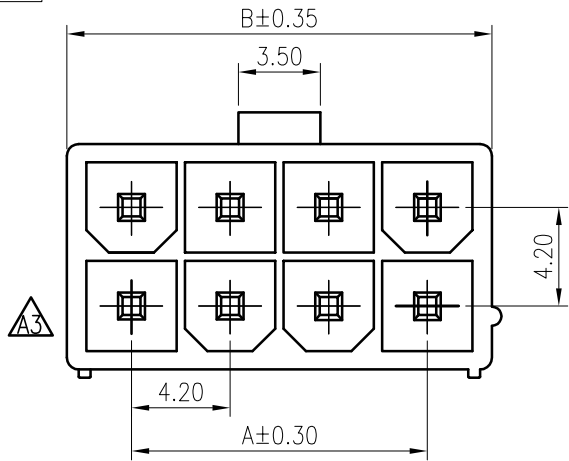
**KONNRA** 东莞市康瑞电子有限公司  
 DongGuan Konnra Electronics Co., Ltd.

PART NO. : C4200RD\*\*\*16T0101\*C

REV. : A3 DRAWING NO. : 4200WRD101-C-S



RoHS  
COMPLIANT



**SPECIFICATIONS**

1. Current rating: 9A(2P AWG#16) AC, DC
2. Voltage rating: 600V AC, DC
3. Temperature range: -40°C ~ +105°C
4. Insulation resistance: 1000MΩ/ min.
5. Withstanding voltage: 1500V AC/ minute.
6. Contact resistance: 10mΩ/ max.

**Material:**

Insulator: Nylon 66 UL 94V-2

Contact: Brass

Plating: Tin plated over Nickel

Mate with KR4200 series double row male housing

**Ordering Code:**

C4200VD \*\*\* 16 T0101PC

No. of Circuits  
207: 2\*7, 208: 2\*8

Insulator Material  
16: PA66 Transparent V2

Circuits	Dimensions		Circuits	Dimensions	
	A	B		A	B
2x1	/	5.40	2x7	25.20	30.60
2x2	4.20	9.60	2x8	29.40	34.80
2x3	8.40	13.80	2x9	33.60	39.00
2x4	12.60	18.00	2x10	37.80	43.20
2x5	16.80	22.20	2x11	42.00	47.40
2x6	21.00	26.40	2x12	46.20	51.60

**TOLERANCE**

X. X ±0.30  
X. XX ±0.20  
X. XXX ±0.10  
Angle ±2°

**TITLE:**  
MX4.2 DIP 180°  
Wafer double row  
Solid needle without  
post

**DRAWN:** Liujiangtian 2020.5.22

**CHECKED:**

**APPROVED:**

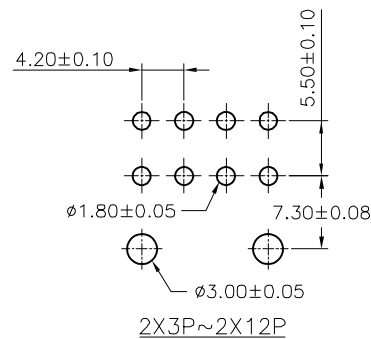
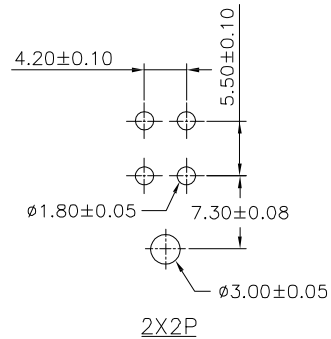
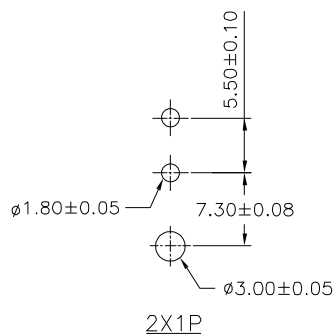
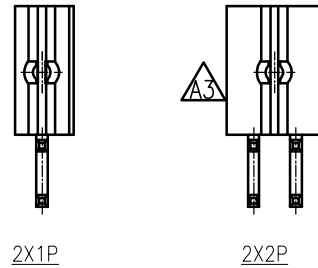
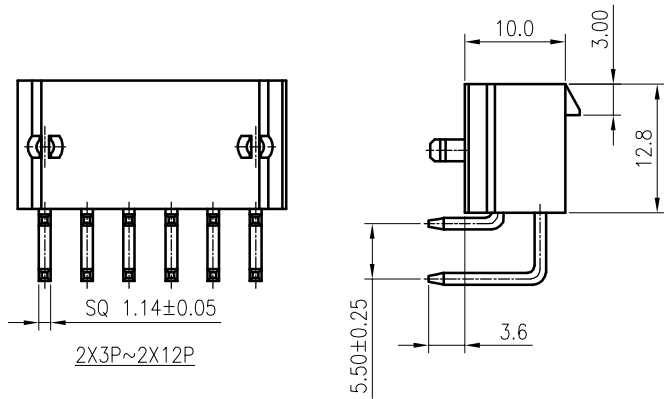
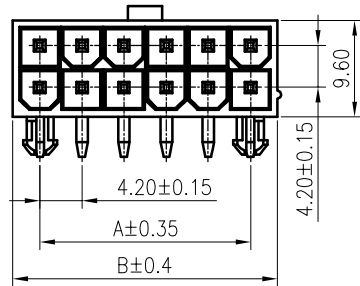
**KONNRA** 东莞市康瑞电子有限公司  
DongGuan Konnra Electronics Co., Ltd.

**PART NO. :** C4200VD\*\*\*16T0101PC

**MARK** REVISION DESCRIPTION SIGNATURE DATE UNIT: mm SCALE: N/A SHEET: 1/1 PROJECTION REV. : A4 DRAWING NO. : 4200WD201-C-S

1 2 3 4 5 6 7 8 9

**RoHS**  
COMPLIANT



Recommended P.C.Board Layout

**SPECIFICATIONS**

1. Current rating: 9A(2P AWG#16) AC, DC
2. Voltage rating:600V AC,DC
3. Temperature range: -40°C ~ +105°C
4. Insulation resistance: 1000MΩ/ min.
5. Withstanding voltage: 1500V AC/ minute.
6. Contact resistance: 10mΩ/ max.

**Material:**

Insulator: Nylon 66 UL 94V-2  
 Contact: Brass  
 Plating: Tin plated over Nickel  
 Mate with KR4200 series double row male housing

**Ordering Code:**

C4200RD \*\*\* 16 T0102 P C  
 No. of Circuits } Packing  
 201:2\*1,212:2\*12 } P:Bag  
 Insulator Material } B:Box  
 02:PA66 Black V0  
 16:PA66 Transparent V2

Circuits	Dimensions		Circuits	Dimensions	
	A	B		A	B
2x1	4.20	5.40	2x7	25.20	30.60
2x2	4.20	9.60	2x8	29.40	34.80
2x3	8.40	13.80	2x9	33.60	39.00
2x4	12.60	18.00	2x10	37.80	43.20
2x5	16.80	22.20	2x11	42.00	47.40
2x6	21.00	26.40	2x12	46.20	51.60

F					<b>TOLERANCE</b>	<b>TITLE:</b>	<b>DRAWN:</b> Liujingtian 2020.5.22	<b>KONNRA</b> 东莞市康瑞电子有限公司	
					X. X ±0.30	MX4.2 DIP double	<b>CHECKED:</b>	DongGuan Konnra Electronics Co., Ltd.	
					X. XX ±0.20	row 90° Wafer solid	<b>APPROVED:</b>	PART NO. : C4200RD***16T0102PC	
					X. XXX ±0.10	needle with post	<b>PROJECTION</b>	REV. : A4	DRAWING NO. : 4200WRD202-C-S
	<b>MARK</b>	<b>REVISION DESCRIPTION</b>	<b>SIGNATURE</b>	<b>DATE</b>	Angle ±2°	<b>UNIT:</b> mm	<b>SCALE:</b> N/A	<b>SHEET:</b> 1/1	<b>DRAWING NO. :</b> 4200WRD202-C-S
	1	2	3	4	5	6	7	8	9

RoHS  
COMPLIANT

**SPECIFICATIONS**

1. Current rating: 9A(2P AWG#16) AC, DC
2. Voltage rating:600V AC,DC
3. Temperature range: -40°C ~ +105°C
4. Insulation resistance: 1000MΩ/ min.
5. Withstanding voltage: 1500V AC/ minute.
6. Contact resistance: 10mΩ/ max.

**Material:**

Insulator: Nylon 66 UL 94V-2

Contact: Brass

Plating: Tin plated over Nickel

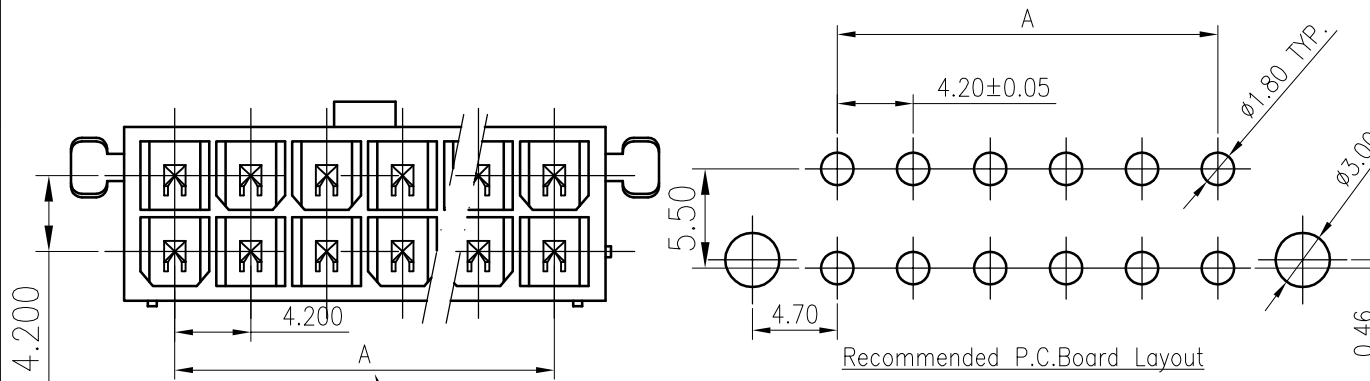
Mate with KR4200 series double row male housing

**Ordering Code:**

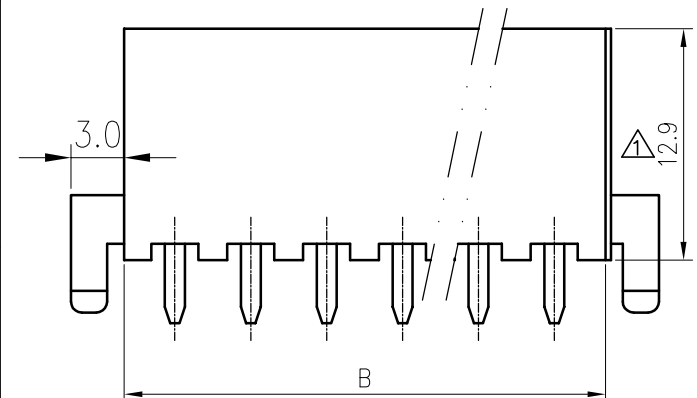
C4200VD \*\*\* 16 T0104PB

No.of Circuits  
201:2\*1,212:2\*12

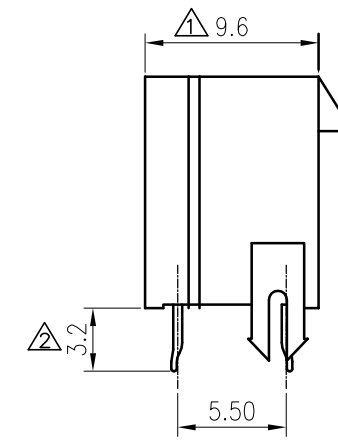
Insulator Material  
16:PA66 Transparent V2



2x1~2x5P:±0.25  
2x6~2x12p:±0.35



2x1~2x5P:±0.3  
2x6~2x12p:±0.4



Circuits	Dimensions		Circuits	Dimensions	
	A	B		A	B
2x1	/	5.60	2x7	25.20	31.00
2x2	4.20	9.60	2x8	29.40	35.20
2x3	8.40	13.80	2x9	33.60	39.40
2x4	12.60	18.30	2x10	37.80	43.60
2x5	16.80	22.60	2x11	42.00	48.10
2x6	21.00	26.60	2x12	46.20	52.30

F	△4				TOLERANCE	TITLE: MX4.2 DIP double row 180° Wafer hollow needle with column	DRAWN: Liujiangtian 2020.5.22		KONNRA 东莞市康瑞电子有限公司 DongGuan Konnra Electronics Co., Ltd.
	△3	Uniformly arrange the drawings	ZSZ	2022.01.16	X. X ±0.30		CHECKED:		
	△2	Change the part number and frame format	LJT	2020.05.23	X. XX ±0.20		APPROVED:		
	MARK	REVISION DESCRIPTION	SIGNATURE	DATE	X. XXX ±0.10				
				Angle ±2°	UNIT: mm	SCALE: N/A	SHEET: 1/1	PROJECTION	PART NO.: C4200VD***16T0104BB
	1	2	3	4					REV.: A3
									DRAWING NO.: 4200WD202-B-S

**RoHS**  
COMPLIANT

**SPECIFICATIONS**

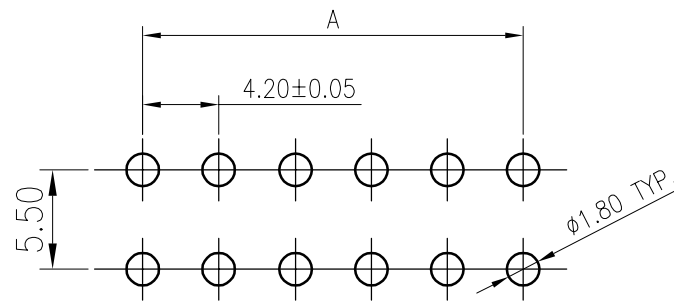
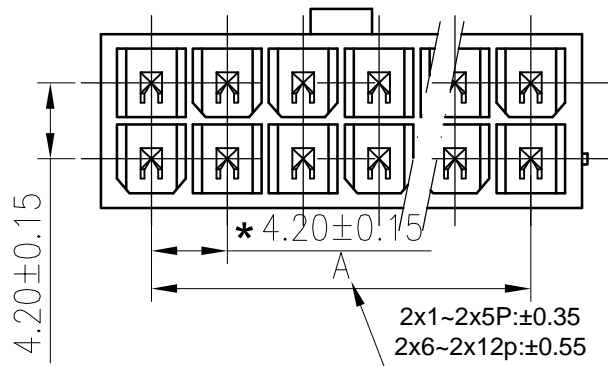
1. Current rating: 9A(2P AWG#16) AC, DC
2. Voltage rating:600V AC,DC
3. Temperature range: -40°C ~ +105°C
4. Insulation resistance: 1000MΩ/ min.
5. Withstanding voltage: 1500V AC/ minute.
6. Contact resistance: 10mΩ/ max.

**Material:**

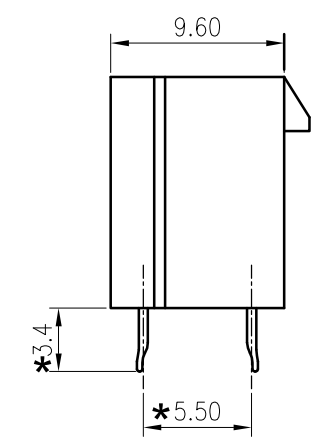
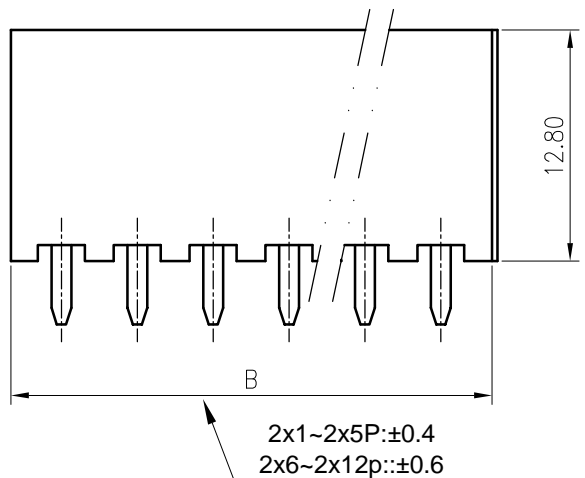
Insulator: Nylon 66 UL 94V-2  
 Contact: Brass  
 Plating: Tin plated over Nickel  
 Mate with KR4200 series double row male housing

**Ordering Code:**

C4200VD \*\*\* 16 T0103 \* B  
 No. of Circuits     Packing  
 201:2\*1,212:2\*12     P: Bag  
   B: Box  
 Insulator Material  
 16:PA66 Transparent V2



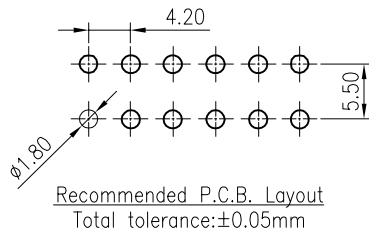
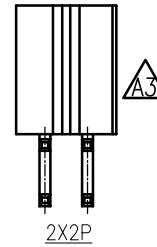
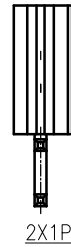
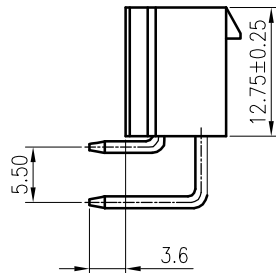
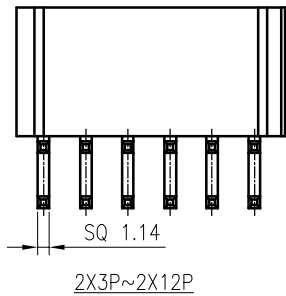
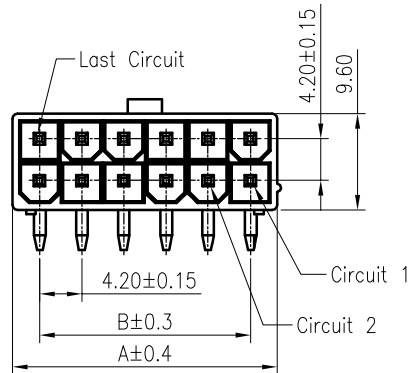
Recommended P.C.Board Layout



Circuits	Dimensions		Circuits	Dimensions	
	A	B		A	B
2x1	/	5.60	2x7	25.20	30.80
2x2	4.20	9.80	2x8	29.40	35.00
2x3	8.40	14.00	2x9	33.60	39.20
2x4	12.60	18.20	2x10	37.80	43.40
2x5	16.80	22.40	2x11	42.00	47.60
2x6	21.00	26.60	2x12	46.20	51.80

F	△4				TOLERANCE	TITLE:	DRAWN: Liujingtian 2020.5.22	KONNRA 东莞市康瑞电子有限公司 DongGuan Konnra Electronics Co., Ltd.			
	△3	Uniformly arrange the drawings	ZSZ	2022.01.16	X. X ±0.30	MX4.2 DIP 180°	CHECKED:				
	△2	Change the part number and frame format	LJT	2020.05.23	X. XX ±0.20	Wafer double	APPROVED:	PART NO. : C4200VD***16T0103*B			
	MARK	REVISION DESCRIPTION	SIGNATURE	DATE	X. XXX ±0.10	rowhollow needle without post	SHEET: 1/1	PROJECTION	REV. : A3	DRAWING NO. : 4200WD201-B-S	
	1	2	3	4	Angle ±2°	UNIT: mm	SCALE: N/A	6	7	8	9

RoHS  
COMPLIANT



**SPECIFICATIONS**

1. Current rating: 9A(2P AWG#16) AC, DC
2. Voltage rating:600V AC,DC
3. Temperature range: -40°C ~ +105°C
4. Insulation resistance: 1000MΩ/ min.
5. Withstanding voltage: 1500V AC/ minute.
6. Contact resistance: 10mΩ/ max.

**Material:**

Insulator: Nylon 66 UL94 V-2 or V-0  
 Contact: Brass  
 Plating: Tin plated over Nickel  
 Mate with KR4200 series double row male housing

**Ordering Code:**

C4200RD \*\*\* \*\* T0101 \* C  
 No. of Circuits } Packing  
 202:2x1,212:2x12 } P:Bag  
 Insulator Material } B:Box  
 01:PA66 White V0  
 02:PA66 Black V0  
 16:PA66 Transparent V2

Circuits	Dimensions		Circuits	Dimensions	
	A	B		A	B
2x1	5.40	/	2x7	30.60	25.20
2x2	9.60	4.20	2x8	34.80	29.40
2x3	13.80	8.40	2x9	39.00	33.60
2x4	18.00	12.60	2x10	43.20	37.80
2x5	22.20	16.80	2x11	47.40	42.00
2x6	26.40	21.00	2x12	51.60	46.20

**TOLERANCE**

X. X ±0.30  
 X. XX ±0.20  
 X. XXX ±0.10  
 Angle ±2°

**TITLE:**  
 MX4.2 Double Row  
 90°Wafer Solid  
 needle without post

**DRAWN:** Arvin 2020.04.30

**CHECKED:**

**APPROVED:**

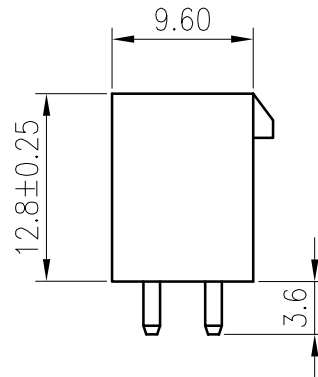
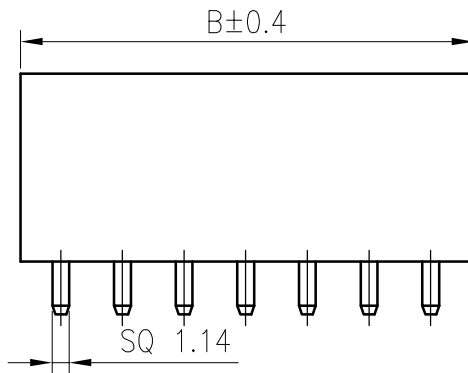
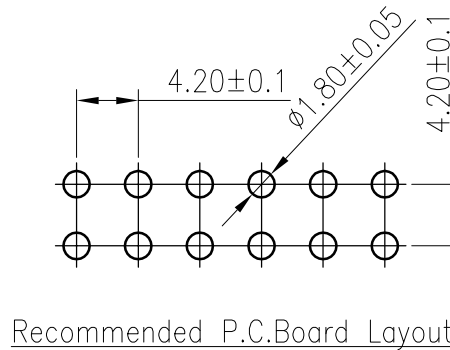
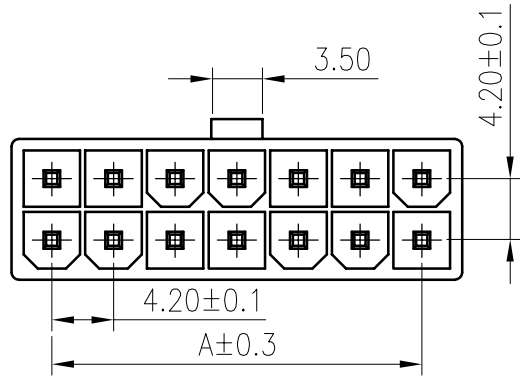
**KONNRA** 东莞市康瑞电子有限公司  
 DongGuan Konnra Electronics Co., Ltd.

**PART NO. :** C4200RD\*\*\*16T0101\*C

**MARK** REVISION DESCRIPTION SIGNATURE DATE UNIT: mm SCALE: N/A SHEET: 1/1 PROJECTION REV. : A4 DRAWING NO. : 4200WRD201-C-S

1 2 3 4 5 6 7 8 9

RoHS  
COMPLIANT



**SPECIFICATIONS**

1. Current rating: 9A(2P AWG#16) AC, DC
2. Voltage rating: 600V AC, DC
3. Temperature range: -40°C ~ +105°C
4. Insulation resistance: 1000MΩ/ min.
5. Withstanding voltage: 1500V AC/ minute.
6. Contact resistance: 10mΩ/ max.

**Material:**

Insulator: Nylon 66 UL 94V-2

Contact: Brass

Plating: Tin plated over Nickel

Mate with KR4200 series double row male housing

**Ordering Code:**

C4200VD \*\*\* 16 T0102PC

No. of Circuits  
207: 2\*7, 208: 2\*8

Insulator Material  
16: PA66 Transparent V2

Circuits	Dimensions	
	A	B
2X7	25.20	30.60
2X8	29.40	34.80

F					TOLERANCE	TITLE:	DRAWN: Liujingtian 2020.5.22	KONNRA 东莞市康瑞电子有限公司		
		Uniformly arrange the drawings	ZSZ	2022.01.16	X. X ±0.30	MX4.2 DIP double row 180°Wafer Solid needle without post	CHECKED:	DongGuan Konnra Electronics Co., Ltd.		
		Change the part number and frame format	LJT	2020.05.23	X. XX ±0.20		APPROVED:	PART NO. : C4200VD***16T0102PC		
					X. XXX ±0.10			REV. : A3 DRAWING NO. : 4200WD202-C-S		
	MARK	REVISION DESCRIPTION	SIGNATURE	DATE	Angle ±2°	UNIT: mm SCALE: N/A	SHEET: 1/1	PROJECTION		
	1	2	3	4	5	6	7	8	9	