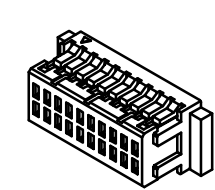
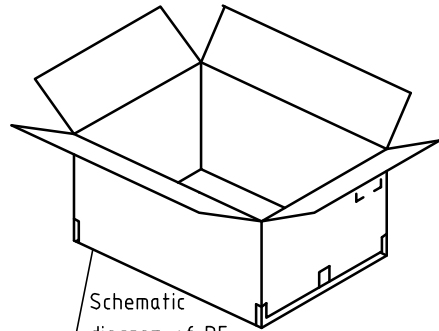


RoHS
COMPLIANT

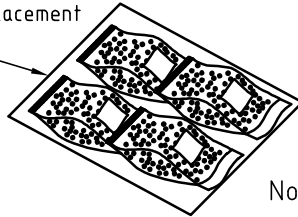
Step 1: Place Housing into PE bag and seal PE bag. Label.
将 Housing放入PE袋内，并将PE袋封好，贴上标签。



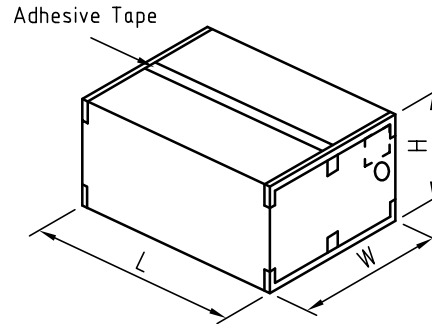
Step 2: Put PE bag packed products in cartons,
Packing detail see the table right
将装好产品的PE袋放入纸箱内，详细包装见右表



Schematic diagram of PE bag placement



Step 3: Put PE bag packed products in cartons,
Packing detail see the table right
将装好产品的PE袋放入纸箱内，详细包装见右表



	SPEC.	Remark
Carton 1	L460mm×W460mm×H510mm	Use the appropriate carton size according to the actual order quantity 根据实际订单数量使用合适的纸箱尺寸
Carton 2	L500mm×W500mm×H305mm	
Carton 3	L580mm×W580mm×H320mm	

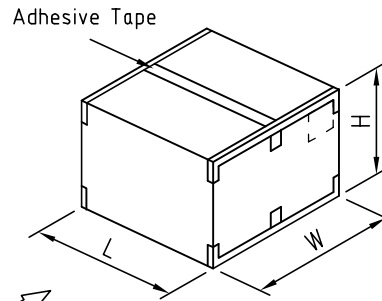
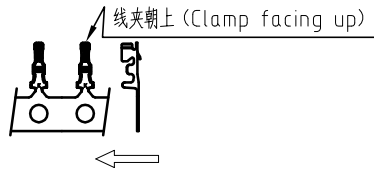
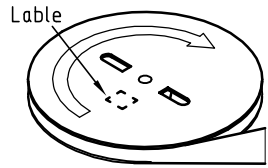
Note注解:

1. There shall be no dirt such as deformation phenomenon, Mantissa box fillers must be used
每箱不可有脏污，变形现象，尾数箱必须用填充物
2. Confirm whether the inner and outer labels are missing and the content must be consistent with the actual product
确认内外标签有无漏失，内容与实物必须一致
3. Packing quantity per carton depends on order and delivery quantity
每箱包装数量依订单及交货数量而定

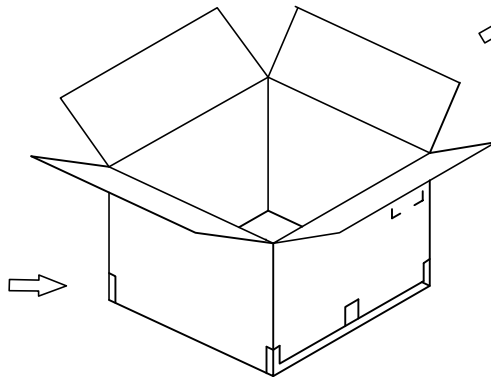
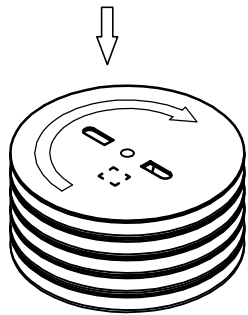
Circuits	PCS/Bag
2x4	1000
2x5	1000
2x6	1000
2x7	1000
2x8	1000
2x10	1000
2x15	1000
2x20	1000
2x25	1000

F					TOLERANCE	TITLE:	DRAWN: Arvin 2020.03.05	KONNRA 东莞市康瑞电子有限公司 DongGuan Konnra Electronics Co., Ltd.		
					X. X ±0.30	SH1.0 Housing Dual	CHECKED:			
					X. XX ±0.20	Row Package	APPROVED:	PART NO. : H100002**2401B		
	MARK	REVISION DESCRIPTION	SIGNATURE	DATE	X. XXX ±0.10	specification	UNIT: mm SCALE: N/A	SHEET: 1/1 PROJECTION	REV. : A1	DRAWING NO. : 1000H201-A-P
	1	2	3	4	Angle ±2°	5	6	7	8	9

RoHS
COMPLIANT



Package way



Note注解:

1. There shall be no dirt such as deformation phenomenon, Mantissa box fillers must be used
每箱不可有脏污，变形现象，尾数箱必须用填充物
2. Confirm whether the inner and outer labels are missing and the content must be consistent with the actual product
确认内外标签有无漏失，内容与实物必须一致
3. Quantity(数量): 20K PCS/REEL (20K PCS/盘)
Packing quantity per carton depends on order and delivery quantity
每箱包装数量依订单及交货数量而定

	SPEC.	Remark
Carton 1	L460mm×W460mm×H510mm	Use the appropriate carton size according to the actual order quantity 根据实际订单数量使用合适的纸箱尺寸
Carton 2	L500mm×W500mm×H305mm	
Carton 3	L580mm×W580mm×H320mm	



MARK

1

2

3

4

5

6

7

8

9

TOLERANCE

X. X ±0.30

X. XX ±0.20

X. XXX ±0.10

Angle ±2°

TITLE:
SH1.0 Terminal
Package
Specification

UNIT: mm SCALE: N/A

DRAWN: Arvin 2020.03.05

CHECKED:

APPROVED:

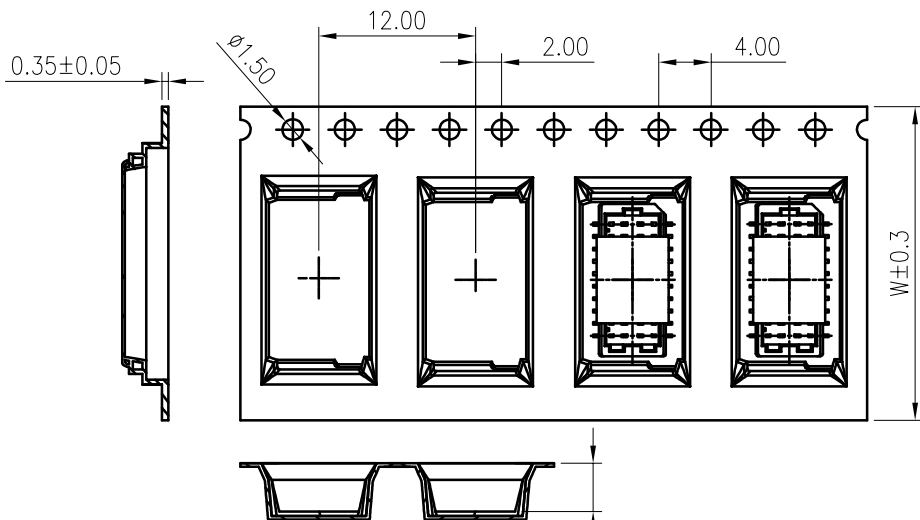
SHEET: 1/1 PROJECTION

KONNRA 东莞市康瑞电子有限公司
DongGuan Konnra Electronics Co., Ltd.

PART NO. : T10000P***01A

REV. : A1 DRAWING NO. : 1000T101-A-P

RoHS
COMPLIANT

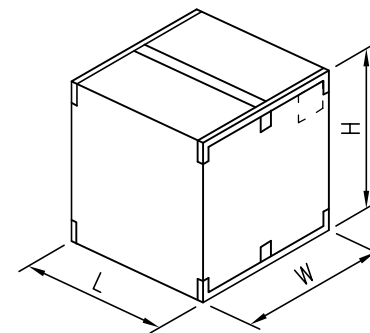
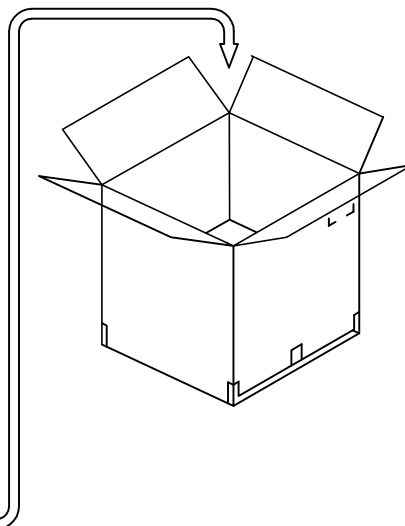
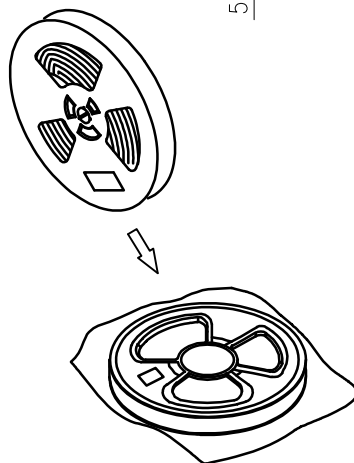
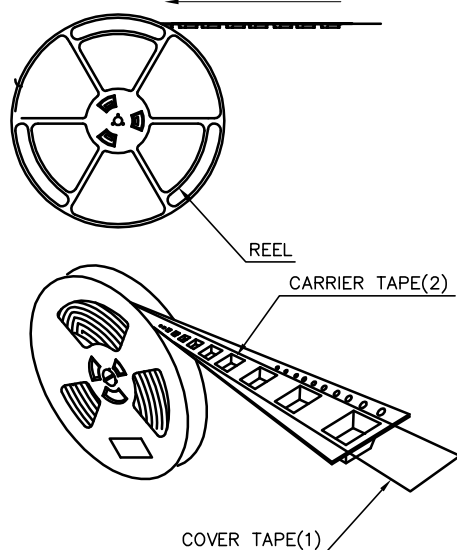


NOTES:

1. All dimensions meet EIA-481-D requirements.
2. Material: PS
3. Carrier camer not to exceed 1mm in 250mm.
4. Component load per 13" reel: 1,000 PCS

Circuits	DIM W	Q'ty/Reel	Packing Reel/Carton
2x4~2x10	24	1000 PCS	14R
2x12~2x17	32	1000 PCS	10R
2x20~2x25	44	1000 PCS	7R

封装时收料方向



TOLERANCE

X.X ±0.30
X.XX ±0.20
X.XXX ±0.10
Angle ±2°

TITLE:

SH1.0 SMT 180°
Wafer Dual Row
Packing

DRAWN: Arvin 2022.03.16

CHECKED:

APPROVED:

KONNRA 东莞市康瑞电子有限公司
DongGuan Konnra Electronics Co., Ltd.

PART NO. : C1000VS2**13G0101RC

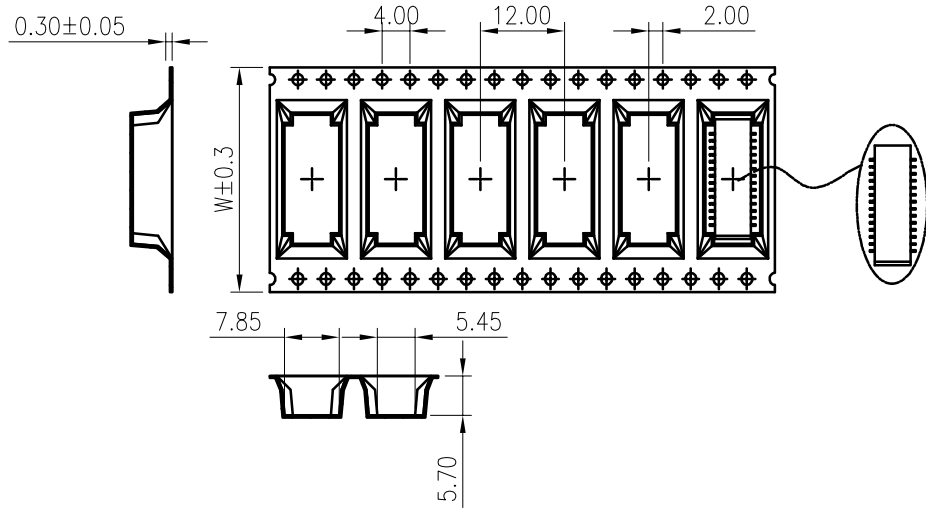
A4
A3
A2

MARK

1 2 3 4 5 6 7 8 9

REVISION DESCRIPTION SIGNATURE DATE UNIT: mm SCALE: N/A SHEET: 1/1 PROJECTION VER. : A1 DRAWING NO. : 1000WS201-C-P

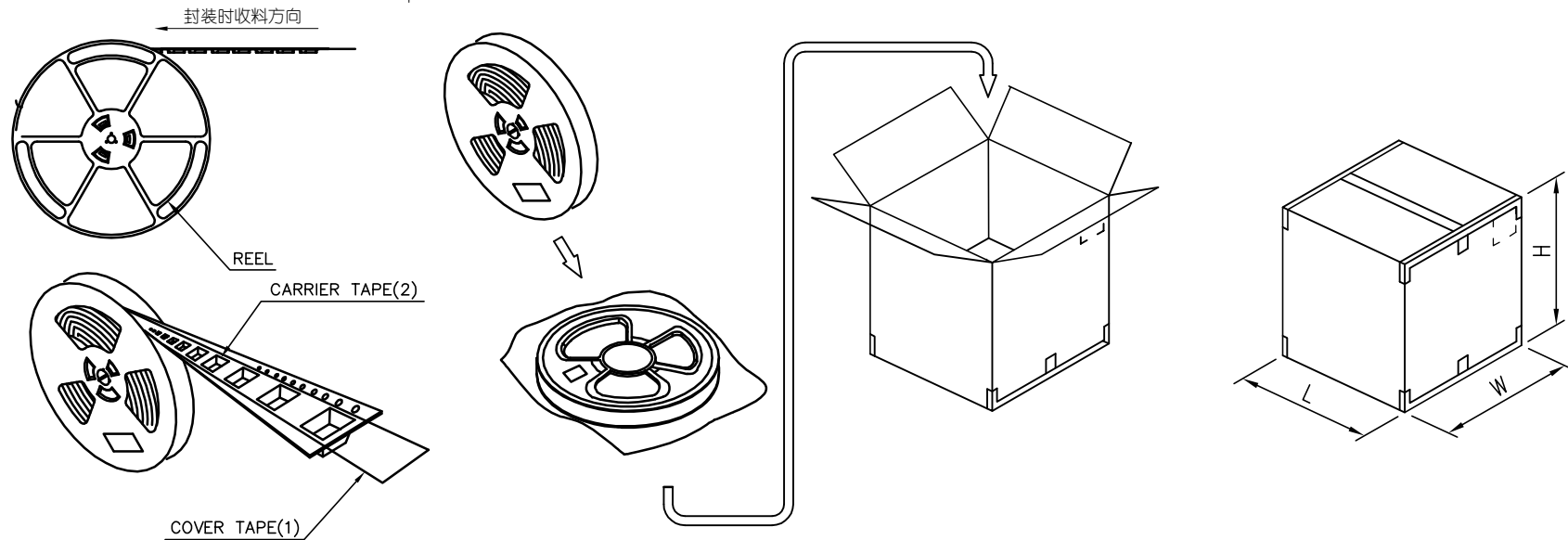
RoHS
COMPLIANT



NOTES:

1. All dimensions meet EIA-481-D requirements.
2. Material: PS
3. Carrier camer not to exceed 1mm in 250mm.
4. Component load per 13" reel: 1,000 PCS

Circuits	DIM W	Q'ty/Reel	Packing Reel/Carton
2x4	16	1000 PCS	19R
2x5~2x12	24	1000 PCS	14R
2x14~2x17	32	1000 PCS	10R
2x20~2x25	44	1000 PCS	7R



F	△4				TOLERANCE	TITLE:	DRAWN:	KONNRA 东莞市康瑞电子有限公司 DongGuan Konnra Electronics Co., Ltd.			
	△3				X.X ±0.30	SH1.0 SMT 180°	CHECKED:				
	△2				X.XX ±0.20	Wafer Dual Row	APPROVED:	PART NO. : C1000RS2**13G0101RC			
	MARK	REVISION DESCRIPTION	SIGNATURE	DATE	X.XXX ±0.10	Packing	UNIT: mm	SCALE: N/A	SHEET: 1/1	PROJECTION	VER. : A1
	1	2	3	4		5	6	7	8	9	