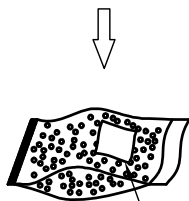
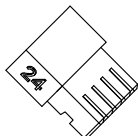
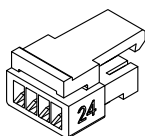


RoHS
COMPLIANT

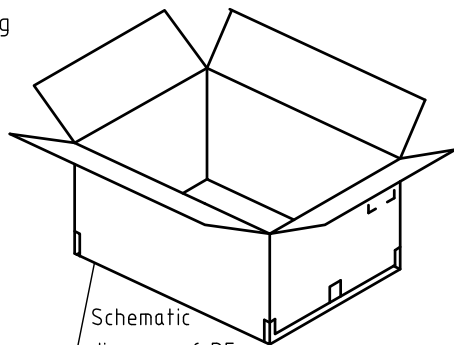
Step 1: Place Housing into PE bag and seal PE bag. Label.

将 Housing放入PE袋内, 并将PE袋封好, 贴上标签.

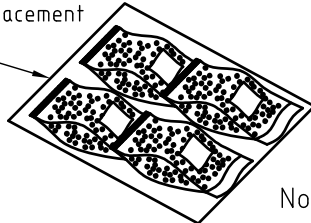
SHU1.0 Have buckle Housing / SHU1.0 No buckle Housing



Label



Schematic diagram of PE bag placement

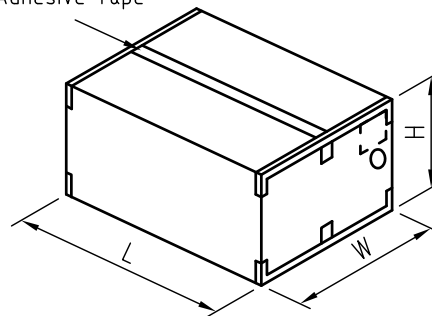


Step 3: Put PE bag packed products in cartons,

Packing detail see the table right

将装好产品的PE袋放入纸箱内, 详细包装见右表

Adhesive Tape



Step 2: Put PE bag packed products in cartons,

Packing detail see the table right

将装好产品的PE袋放入纸箱内, 详细包装见右表

Circuits	PCS/Bag
2	1000
3	1000
4	1000
5	1000
6	1000
7	1000
8	1000
9	1000
10	1000
11	1000
12	1000
13	1000
14	1000
15	1000
16	1000
17	1000
18	1000
19	1000
20	1000

Note注解:

1. There shall be no dirt such as deformation phenomenon, Mantissa box fillers must be used
每箱不可有脏污, 变形现象, 尾数箱必须用填充物
2. Confirm whether the inner and outer labels are missing and the content must be consistent with the actual product
确认内外标签有无漏失, 内容与实物必须一致
3. Packing quantity per carton depends on order and delivery quantity
每箱包装数量依订单及交货数量而定

	SPEC.	Remark
Carton 1	L460mm×W460mm×H510mm	Use the appropriate carton size according to the actual order quantity 根据实际订单数量使用合适的纸箱尺寸
Carton 2	L500mm×W500mm×H305mm	
Carton 3	L580mm×W580mm×H320mm	



MARK

1

2

3

4

5

6

7

8

9

TOLERANCE

X.X ±0.30

X.XX ±0.20

X.XXX ±0.10

Angle ±2°

TITLE:

SHU1.0 Housing

Packing

UNIT:mm

SCALE:N/A

DRAWN:

Arwin 2020.03.05

CHECKED:

APPROVED:

SHEET:1/1

PROJECTION

REV.:A1

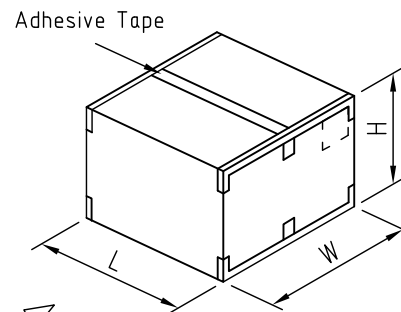
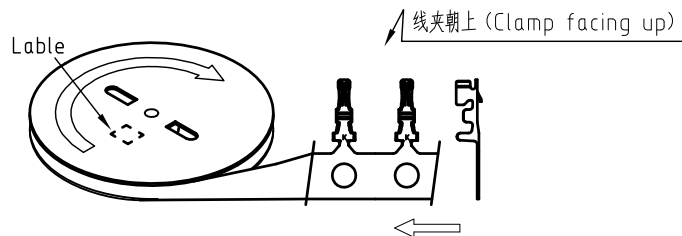
DRAWING NO.:1005H101-A-P

PART NO.:H10050****01B

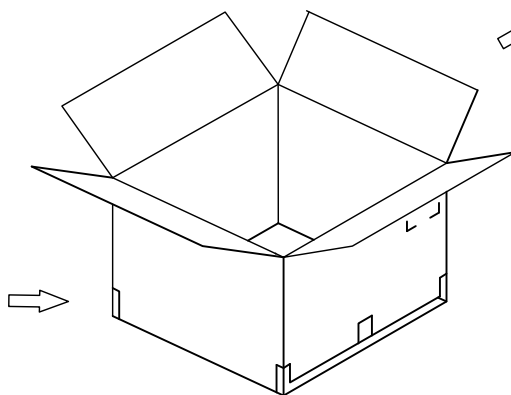
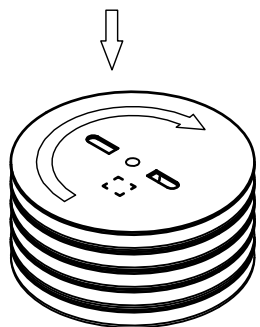
KONNRA 东莞市康瑞电子有限公司

DongGuan Konnra Electronics Co.,Ltd.

RoHS
COMPLIANT



Package way



Note注解:

1. There shall be no dirt such as deformation phenomenon, Mantissa box fillers must be used
每箱不可有脏污, 变形现象, 尾数箱必须用填充物
2. Confirm whether the inner and outer labels are missing and the content must be consistent with the actual product
确认内外标签有无漏失, 内容与实物必须一致
3. Quantity(数量): 20K PCS/REEL (20K PCS/盘)
Packing quantity per carton depends on order and delivery quantity
每箱包装数量依订单及交货数量而定

	SPEC.	Remark
Carton 1	L460mm×W460mm×H510mm	Use the appropriate carton size according to the actual order quantity 根据实际订单数量使用合适的纸箱尺寸
Carton 2	L500mm×W500mm×H305mm	
Carton 3	L580mm×W580mm×H320mm	



MARK

1

2

3

4

5

6

7

8

9

TOLERANCE

X.X ±0.30

X.XX ±0.20

X.XXX ±0.10

Angle ±2°

TITLE:
SHU1.0 Terminal
Packing

UNIT:mm

SCALE:N/A

DRAWN: Arwin 2020.03.05

CHECKED:

APPROVED:

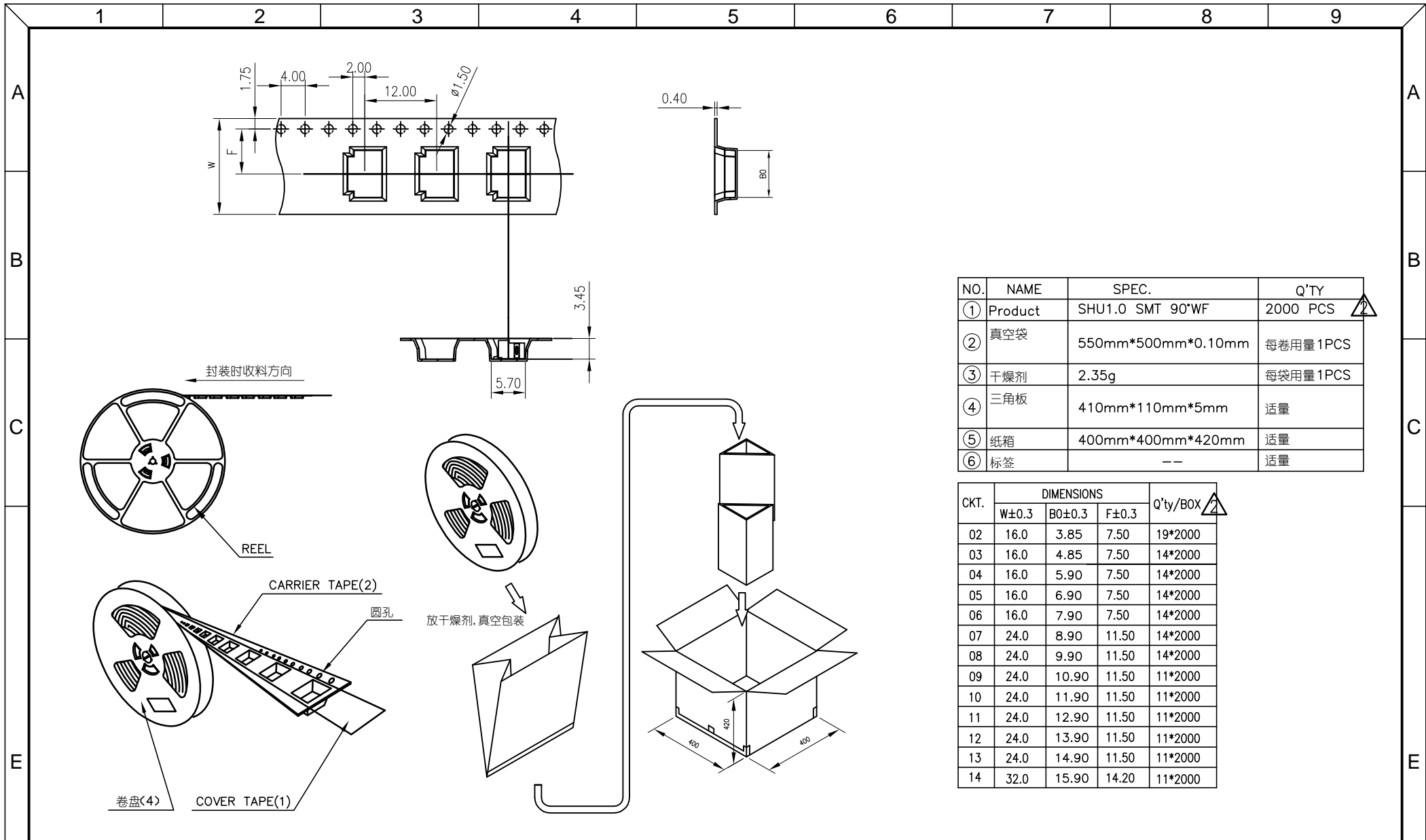
SHEET:1/1

PROJECTION

KONNRA 东莞市康瑞电子有限公司
DongGuan Konnra Electronics Co.,Ltd.

PART NO.:T10050P***01A

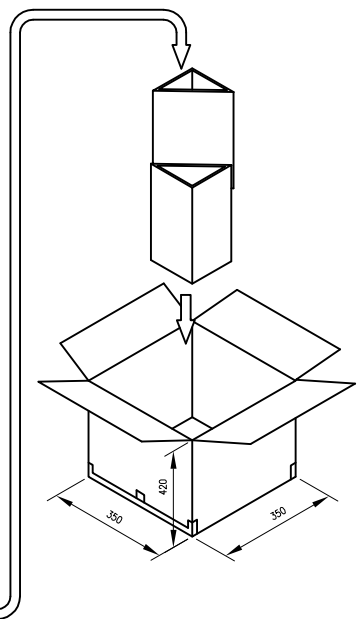
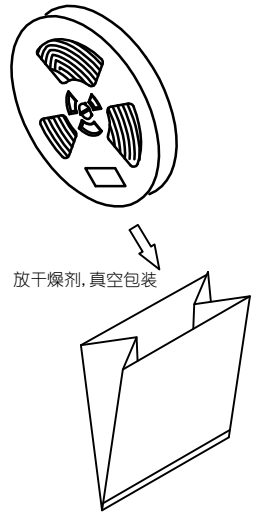
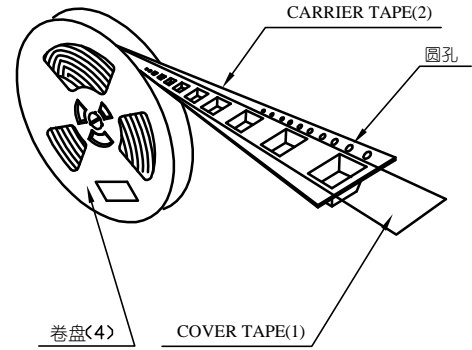
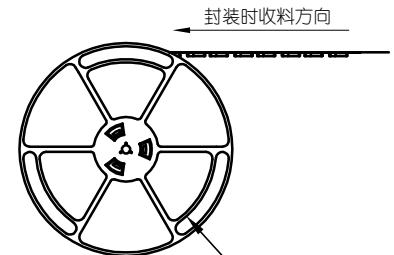
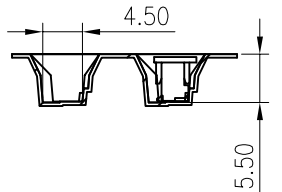
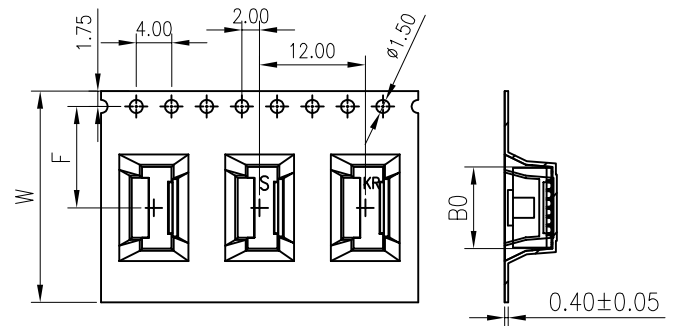
REV.:A1 DRAWING NO.:1005T101-A-P



NO.	NAME	SPEC.	Q'TY
①	Product	SHU1.0 SMT 90°WF	2000 PCS
②	真空袋	550mm*500mm*0.10mm	每卷用量1PCS
③	干燥剂	2.35g	每袋用量1PCS
④	三角板	410mm*110mm*5mm	适量
⑤	纸箱	400mm*400mm*420mm	适量
⑥	标签	--	适量

CKT.	DIMENSIONS			Q'ty/BOX
	W±0.3	B0±0.3	F±0.3	
02	16.0	3.85	7.50	19*2000
03	16.0	4.85	7.50	14*2000
04	16.0	5.90	7.50	14*2000
05	16.0	6.90	7.50	14*2000
06	16.0	7.90	7.50	14*2000
07	24.0	8.90	11.50	14*2000
08	24.0	9.90	11.50	14*2000
09	24.0	10.90	11.50	11*2000
10	24.0	11.90	11.50	11*2000
11	24.0	12.90	11.50	11*2000
12	24.0	13.90	11.50	11*2000
13	24.0	14.90	11.50	11*2000
14	32.0	15.90	14.20	11*2000

REVISION	DESCRIPTION	SIGNATURE	DATE	TOLERANCE	TITLE	DRAWN	CHECKED	APPROVED	PART NO.	VER.	DRAWING NO.
③				X. X ±0.30	SHU1.0 SMT 90° WF 系列包装图	谭亮雄2020.01.17			KONNRA 东莞市康瑞电子有限公司 DongGuan Konnra Electronics Co., Ltd.		
②	更改包装数量	Arvin	2021.01.12	X. XX ±0.20							
①	更改料号及图框格式	Arvin	2020.01.17	X. XXX ±0.10							
LTR	REVISION DESCRIPTION	SIGNATURE	DATE	Angle ±2°		UNIT: mm	SCALE: N/A	SHEET: 1/1		PROJECTION	VER. : A2



NO.	NAME	SPEC.	Q'TY
①	Product	SHU1.0 SMT 180°WF	1000 PCS
②	真空袋	500mm*440mm*0.10mm	每卷用量1PCS
③	干燥剂	2.35g	每袋用量1PCS
④	三角板	410mm*110mm*5mm	适量
⑤	纸箱	350mm*350mm*420mm	适量
⑥	标签	--	适量

CKT.	DIMENSIONS			Q'ty/BOX
	W±0.3	B0±0.3	F±0.3	
02	16.0	4.35	7.50	19*1000
03	16.0	5.35	7.50	14*1000
04	16.0	6.35	7.50	14*1000
05	16.0	7.35	7.50	14*1000
06	24.0	8.35	7.50	14*1000
07	24.0	9.30	11.50	14*1000
08	24.0	10.40	11.50	14*1000
09	24.0	11.40	11.50	11*1000
10	24.0	12.40	11.50	11*1000
11	24.0	13.40	11.50	11*1000
12	24.0	14.40	11.50	11*1000
13	32.0	15.40	14.20	8*1000
14	32.0	16.35	14.20	8*1000

F	⚠				TOLERANCE	TITLE: SHU1.0 SMT 180° WF 系列包装图	DRAWN: Arvin 2020.01.17		KONNRA 东莞市康瑞电子有限公司 DongGuan Konnra Electronics Co., Ltd.		
	⚠				X. X ±0.30		CHECKED:				
	⚠	更改料号及图框格式	Arvin	2020.01.17	X. XX ±0.20		APPROVED:		PART NO.: C1005VS1**11MD101RA		
	LTR	REVISION DESCRIPTION	SIGNATURE	DATE	X. XXX ±0.10		UNIT: mm	SCALE: N/A	SHEET: 1/1	PROJECTION	VER.: A1
	1	2	3	4		5	6	7	8	9	