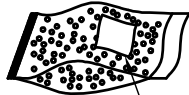
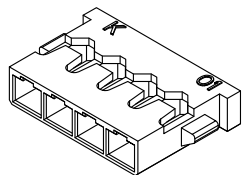


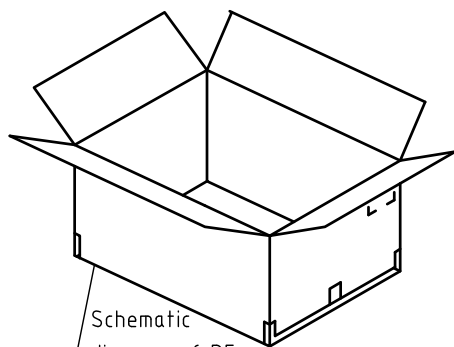
**RoHS**  
COMPLIANT

Step 1: Place Housing into PE bag and seal PE bag. Label.  
将 Housing放入PE袋内, 并将PE袋封好, 贴上标签.

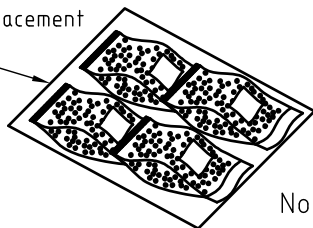


Label

Step 2: Put PE bag packed products in cartons,  
Packing detail see the table right  
将装好产品的PE袋放入纸箱内, 详细包装见右表

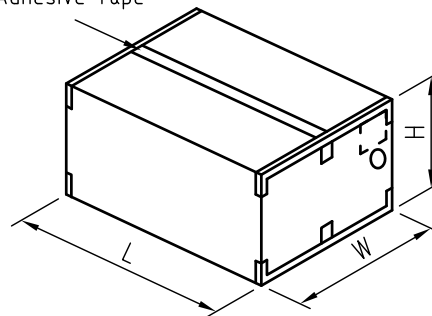


Schematic diagram of PE bag placement



Step 3: Put PE bag packed products in cartons,  
Packing detail see the table right  
将装好产品的PE袋放入纸箱内, 详细包装见右表

Adhesive Tape



Circuits	PCS/Bag
2	2000
3	2000
4	2000
5	2000
6	2000
7	2000
8	2000

Note注解:

1. There shall be no dirt such as deformation phenomenon, Mantissa box fillers must be used  
每箱不可有脏污, 变形现象, 尾数箱必须用填充物
2. Confirm whether the inner and outer labels are missing and the content must be consistent with the actual product  
确认内外标签有无漏失, 内容与实物必须一致
3. Packing quantity per carton depends on order and delivery quantity  
每箱包装数量依订单及交货数量而定

	SPEC.	Remark
Carton 1	L460mm×W460mm×H510mm	Use the appropriate carton size according to the actual order quantity 根据实际订单数量使用合适的纸箱尺寸
Carton 2	L500mm×W500mm×H305mm	
Carton 3	L580mm×W580mm×H320mm	



MARK

TOLERANCE

X.X ±0.30  
X.XX ±0.20  
X.XXX ±0.10  
Angle ±2°

TITLE:  
MX1.2 Housng  
Package  
specification

UNIT:mm SCALE:N/A

DRAWN: Arwin 2020.03.05

CHECKED:

APPROVED:

SHEET:1/1 PROJECTION

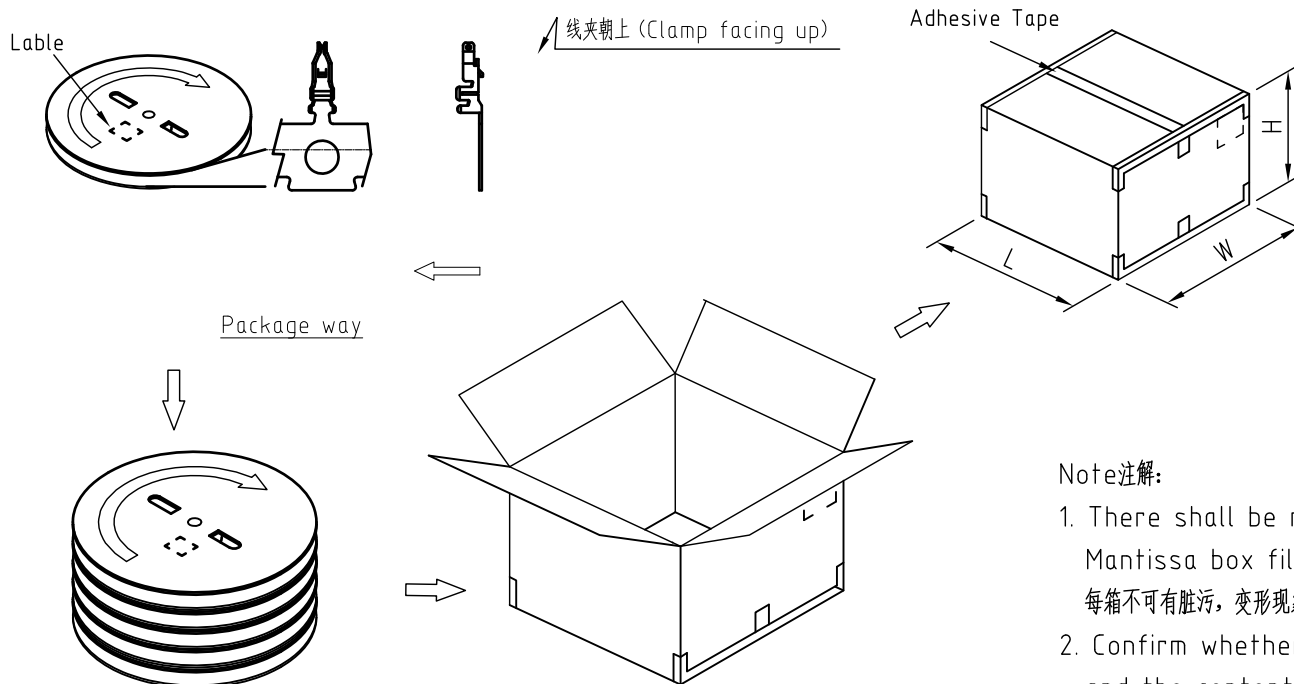
**KONNRA** 东莞市康瑞电子有限公司  
DongGuan Konnra Electronics Co.,Ltd.

PART NO.:H12000\*\*\*\*01A

REV.:A1 DRAWING NO.:1200H01-A-P

1 2 3 4 5 6 7 8 9

RoHS  
COMPLIANT



Note注解:

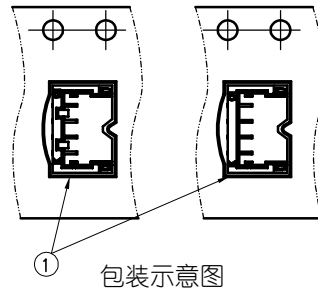
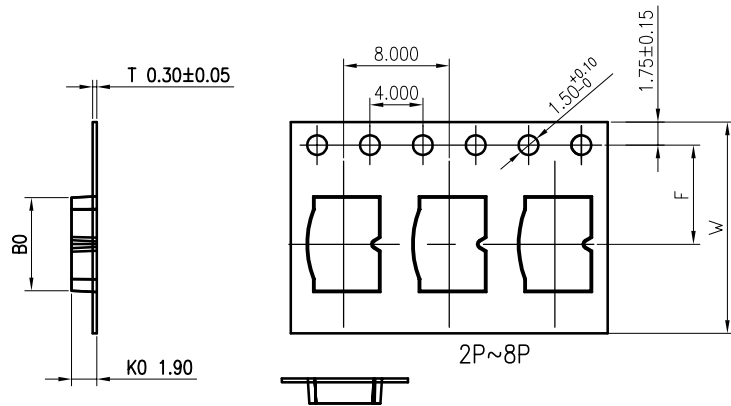
1. There shall be no dirt such as deformation phenomenon, Mantissa box fillers must be used  
每箱不可有脏污，变形现象，尾数箱必须用填充物
2. Confirm whether the inner and outer labels are missing and the content must be consistent with the actual product  
确认内外标签有无漏失，内容与实物必须一致
3. Quantity(数量): 25K PCS/REEL (25K PCS/盘)  
Packing quantity per carton depends on order and delivery quantity  
每箱包装数量依订单及交货数量而定

	SPEC.	Remark
Carton 1	L460mm×W460mm×H510mm	Use the appropriate carton size according to the actual order quantity 根据实际订单数量使用合适的纸箱尺寸
Carton 2	L500mm×W500mm×H305mm	
Carton 3	L580mm×W580mm×H320mm	

F					TOLERANCE	TITLE:	DRAWN: <i>Arwin 2020.03.05</i>	KONNRA 东莞市康瑞电子有限公司 DongGuan Konnra Electronics Co.,Ltd.		
					X.X ±0.30	MX1.2 Terminal	CHECKED:			
					X.XX ±0.20	Package	APPROVED:	PART NO.: T12000P***01A		
MARK	REVISION DESCRIPTION	SIGNATURE	DATE	X.XXX ±0.10	UNIT:mm	SCALE:N/A	SHEET:1/1	PROJECTION	REV.:A1	DRAWING NO.:1200T101-A-P
	1	2	3	4			5	6	7	8

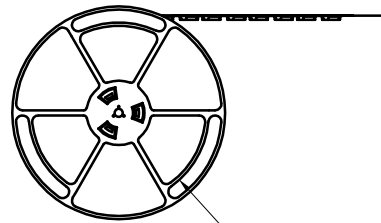
1 2 3 4 5 6 7 8 9

RoHS  
COMPLIANT



- NOTES:  
 1. All dimensions meet EIA-481-D requirements.  
 2. Material: White PS  
 3. Carrier cam not to exceed 1mm in 250mm.  
 4. A.Length:48.68m (507模)  
 5.Reel:15" 胶盘

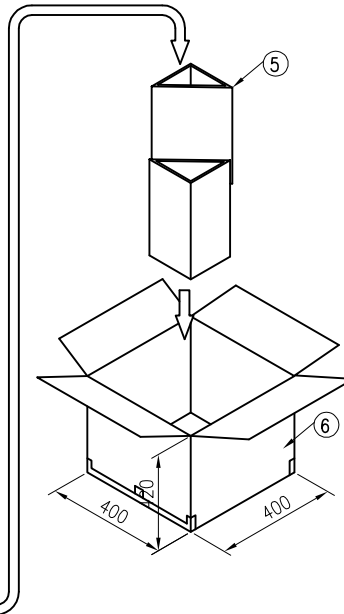
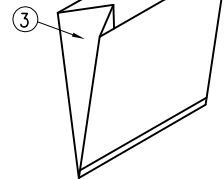
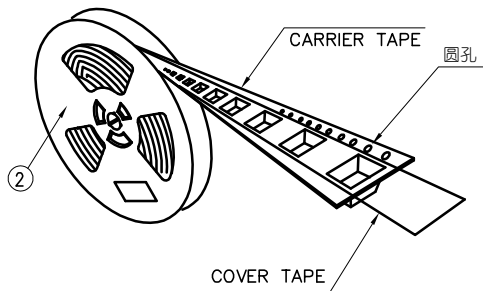
封装时收料方向



REEL



放干燥剂, 真空包装

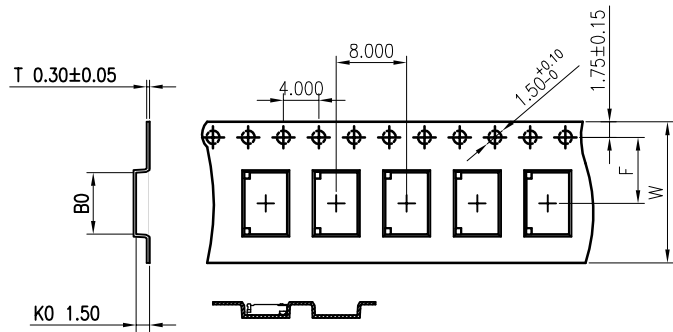


CTK.	DIMENSIONS			Q'ty/BOX
	W±0.3	F±0.15	B0	
2P	12.0	5.50	4.60	24R*6000
3P	16.0	7.50	5.60	19R*6000
4P	16.0	7.50	7.05	19R*6000
5P	16.0	7.50	8.20	19R*6000
6P	24.0	11.50	9.40	14R*6000
7P	24.0	11.50	10.60	14R*6000
8P	24.0	11.50	11.80	14R*6000

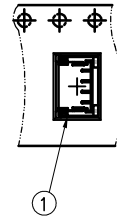
NO.	NAME	SPEC.	Q'TY
①	PRODUCT	MX1/JST1.2 SMT 90°WF系列	6000 PCS/R
②	卷盘/载带	--	1SET
③	透明真空袋	550×500×0.10mm	1PCS/Reel
④	干燥剂	--	1PCS/Reel
⑤	三角纸板	410×90×90mm	适量
⑥	纸箱	400×400×420mm	适量
⑦	标签	--	适量

△4				TOLERANCE	TITLE:	DRAWN: Arvin 2020.03.05	KONNRA 东莞市康瑞电子有限公司 DongGuan Konnra Electronics Co., Ltd.
△3				X. X ±0.30	MK/JST1.2 SMT 90°	CHECKED:	
△2	更改料号及图框格式	Arvin	2020.03.05	X. XX ±0.20	WF系列卷带包装图	APPROVED:	
MARK	REVISION DESCRIPTION	SIGNATURE	DATE	X. XXX ±0.10	UNIT: mm SCALE: N/A	SHEET: 1/1 PROJECTION	
	1	2	3	Angle ±2°			REV.: A2 DRAWING NO.: 1200WHS101-A-P

RoHS  
COMPLIANT



2P~7P

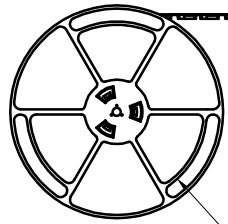


包装示意图

NOTES:

- 1.All dimensions meet EIA-481-D requirements.
- 2.Material: White PS
- 3.Carrier camer not to exceed 1mm in 250mm.
- 4.A.Length:56.64m (885 模)
- 5.Reel:15" 胶盘

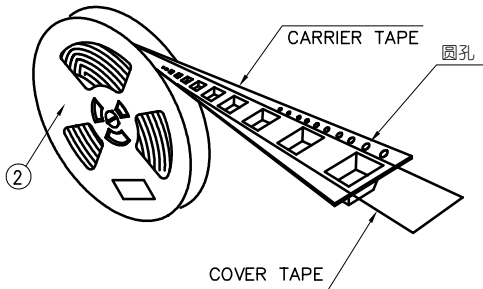
封装时收料方向



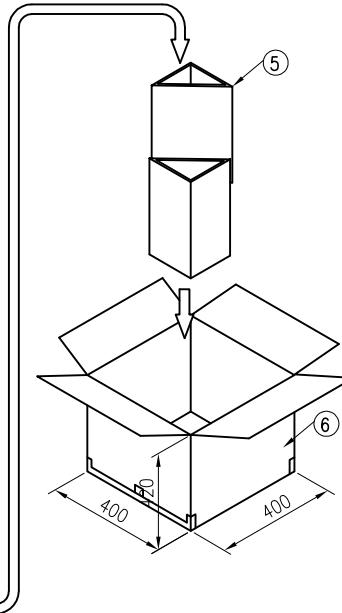
REEL



放干燥剂, 真空包装



③



CTK.	DIMENSIONS			Q'ty/BOX
	W±0.3	F±0.15	B0	
2P	16.0	7.50	4.60	19R*7000
3P	16.0	7.50	5.60	19R*7000
4P	16.0	7.50	7.05	19R*7000
5P	16.0	7.50	8.20	19R*7000
6P	24.0	11.50	9.40	14R*7000
7P	24.0	11.50	10.60	14R*7000

NO.	NAME	SPEC.	Q'TY
①	PRODUCT	MX1.2 SMT 90° WF H1.2系列	7000 PCS/R
②	卷盘/载带	--	1SET
③	透明真空袋	550×500×0.10mm	1PCS/Reel
④	干燥剂	--	1PCS/Reel
⑤	三角纸板	410×80×80mm	适量
⑥	纸箱	400×400×420mm	适量
⑦	标签	--	适量



MARK

1

2

3

4

5

6

7

8

9

TOLERANCE

- X. X ±0.30
- X. XX ±0.20
- X. XXX ±0.10
- Angle ±2°

TITLE:

MX1.2 SMT 90° WF  
H1.2系列卷带包装图

UNIT: mm

SCALE: N/A

DRAWN: Arvin 2020.12.05

CHECKED:

APPROVED:

SHEET: 1/1

PROJECTION

KONNRA 东莞市康瑞电子有限公司

DongGuan Konnra Electronics Co., Ltd.

PART NO.: C1200RS\*\*\*\*\*G02\*\*RA

REV.: A1

DRAWING NO.: 1200WHS102-A-P