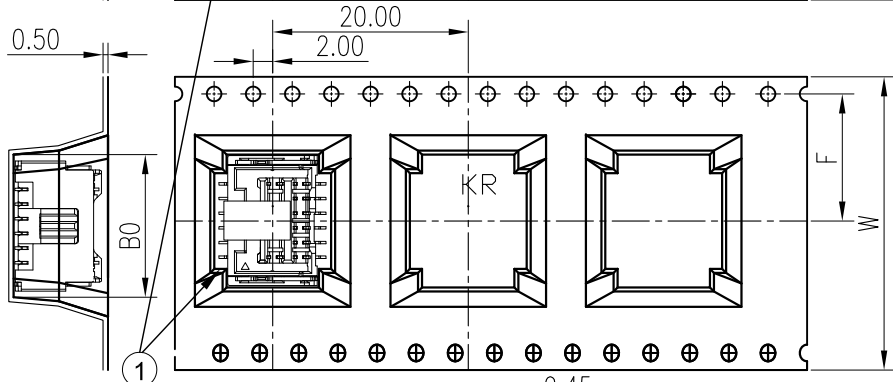
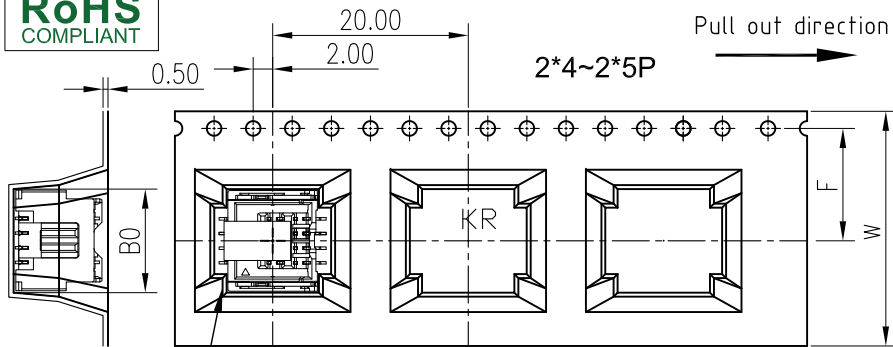
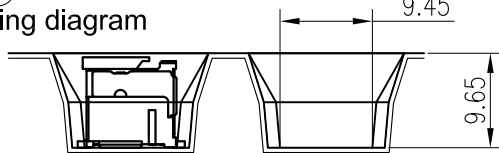


RoHS
COMPLIANT



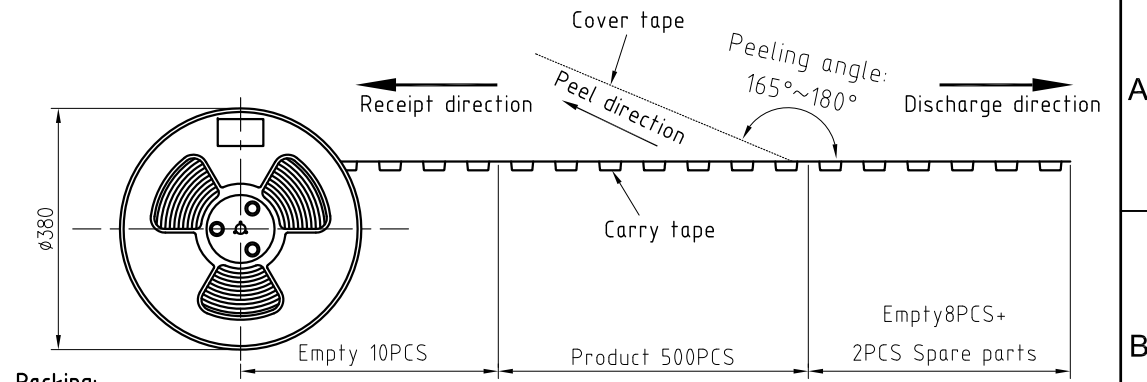
Packaging diagram



2*6~2*12P

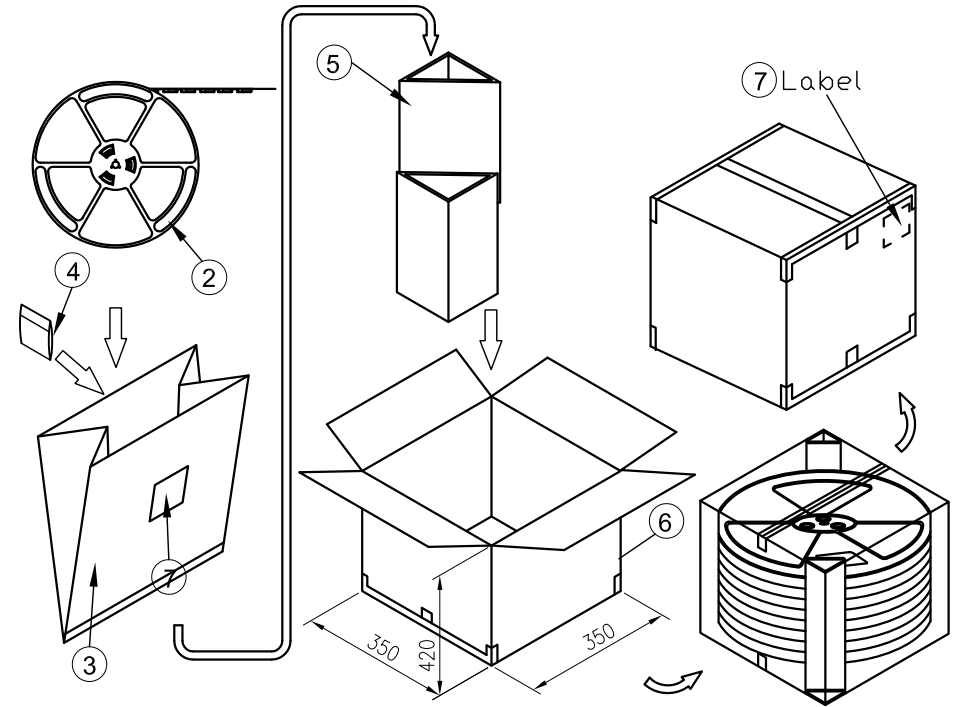
NO.	NAME	SPEC.	Q'TY
①	Product	MX1.5内扣双排 180° WF 系列	500 PCS
②	Reel/Tape	--	1SET
③	Vacuum bag	500×440×0.10mm	1PCS/Reel
④	Desiccant	--	1PCS/Reel
⑤	cardboard	410×80×80mm	2PCS
⑥	carton	350×350×420mm	1PCS
⑦	Label	--	2PCS

Pin数	w±0.3	F±0.2	Q'ty/BDX
2*4-2*5P	24	11.5	14*500
2*6-2*8P	32	14.2	11*500
2*9-2*12P	44	20.2	8*500



Packing:

The product is loaded into the carrier tape as required (see "Product Tape and Reel Packaging Table"), to be tested with the stripping force (stripping angle: 165°~180°; peel speed: 300 ± 10 mm / min); Peel force 0.1N ~ 1.3N;



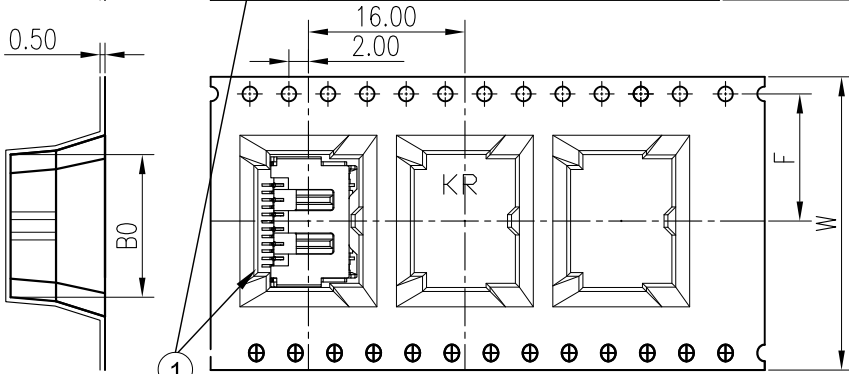
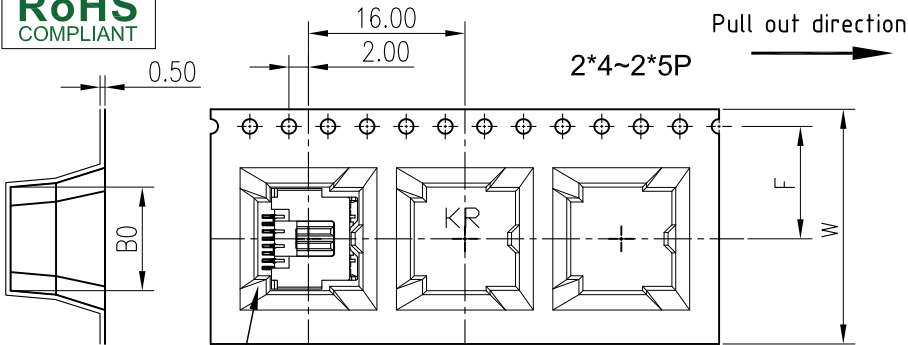
MARK	REVISION DESCRIPTION	SIGNATURE	DATE
1			
2			
3			

TOLERANCE	TITLE:
X.X ±0.30	MX1.5双排 SMT 180°
X.XX ±0.20	Wafer 系列Package
X.XXX ±0.10	Specification
Angle ±2°	

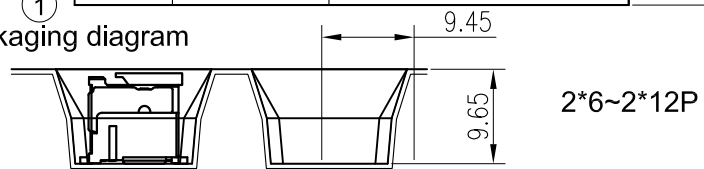
DRAWN: Shen 2022.07.18
CHECKED:
APPROVED:
SHEET: 1/1
PROJECTION

KONNRA 东莞市康瑞电子有限公司	
DongGuan Konnra Electronics Co.,Ltd.	
PART NO.: C1507VS2xx11M0101RA	
REV.: A1	DRAWING NO.: 1507WVS201-A-P

RoHS
COMPLIANT

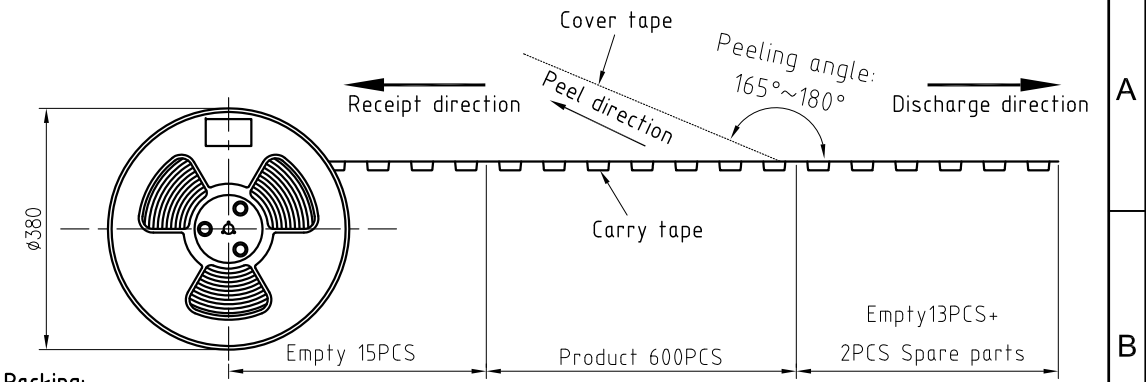


Packaging diagram

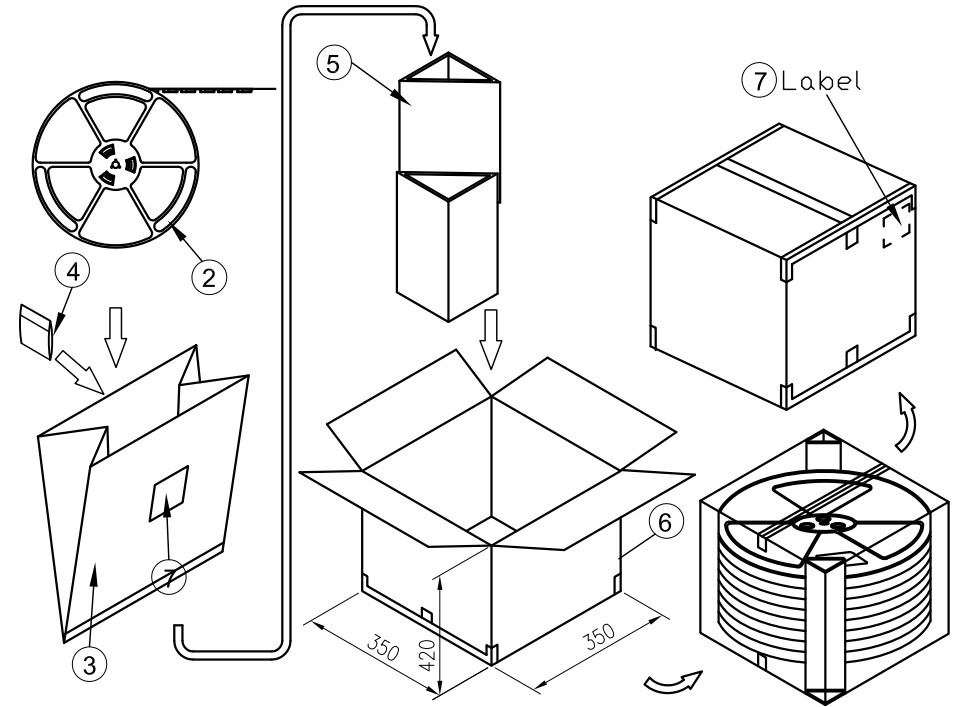


NO.	NAME	SPEC.	Q'TY
①	Product	MX1.5内扣双排 90° WF 系列	600 PCS
②	Reel/Tape	--	1SET
③	Vacuum bag	500×440×0.10mm	1PCS/Reel
④	Desiccant	--	1PCS/Reel
⑤	cardboard	410×80×80mm	2PCS
⑥	carton	400×400×420mm	1PCS
⑦	Label	--	2PCS

Pin数	W±0.3	F±0.2	Q'ty/BDX
2*4-2*5P	24	11.5	14*600
2*6-2*8P	32	14.2	11*600
2*9-2*12P	44	20.2	8*600



Packing:
The product is loaded into the carrier tape as required (see "Product Tape and Reel Packaging Table"), to be tested with the stripping force (stripping angle: $165^\circ \sim 180^\circ$; peel speed: 300 ± 10 mm / min); Peel force 0.1N ~ 1.3N;



MARK	REVISION DESCRIPTION	SIGNATURE	DATE	TOLERANCE	TITLE:	DRAWN:	CHECKED:	APPROVED:	REV.: A1	DRAWING NO.:
A4				X.X ±0.30	MX1.5双排 SMT 90°	Shen 2022.07.18				KONNRA 东莞市康瑞电子有限公司
A3				X.XX ±0.20	Wafer 系列Package					DongGuan Konnra Electronics Co.,Ltd.
A2	NEW DWG	Shen	20220718	X.XXX ±0.10	Specification					PART NO.: C1507RS2xx11M0101RA
				Angle ±2°	UNIT:mm SCALE:1/1	SHEET:1/1	PROJECTION			DRAWING NO.: 1507WRS201-A-P