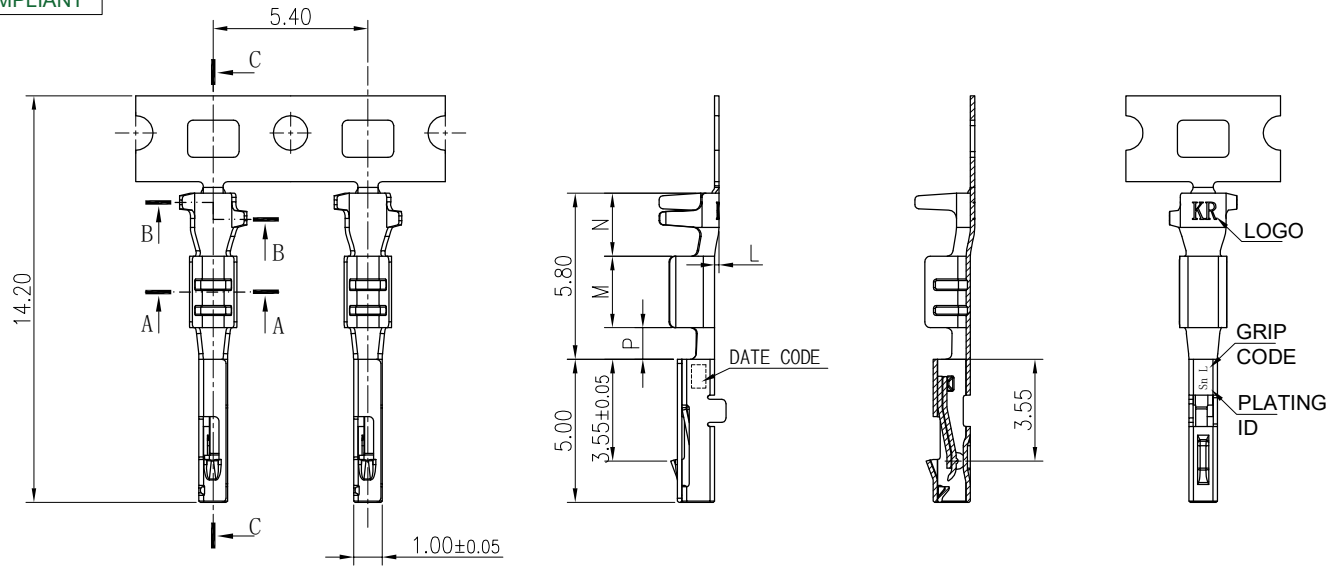
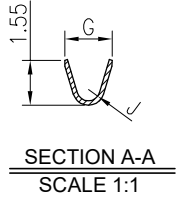
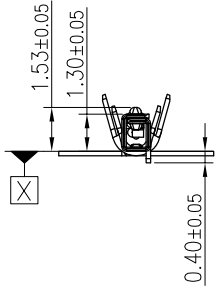


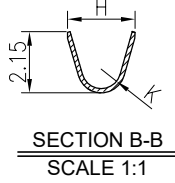
RoHS
COMPLIANT



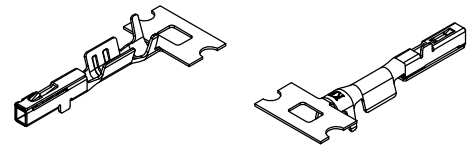
SECTION C-C
SCALE 1:1



SECTION A-A
SCALE 1:1



SECTION B-B
SCALE 1:1



- SPECIFICATIONS**
1. Current rating: 4A AC, DC(0.35mm²)
 2. Voltage rating: 250V AC,DC
 3. Temperature range: -40°C ~ +105°C
 4. Insulation resistance: 100MΩ Min.
 5. Withstanding voltage: 1000V AC/ minute.
 6. Contact resistance: 15mΩ Max.

Material: Copper Alloy
 Plating: Tin plated 80u" MIN and over Nickel
 30u"MIN
 Applicable wire:
 WIRE GAGE: See Table 1
 Insulation O.D.: 1.40mm MAX
 Suitable KR2021 series housing
 Q'ty/reel: 10,000PCS

TABLE 1

PART NO.	PLATING	GRIP CODE	WIRE GAGE mm ²	线径 MAX O.D. mm	DIM G	DIM H	DIM J	DIM K	DIM L	DIM M	DIM N	DIM p
/	Sn	M	0.22	1.05	1.65	2.25	0.45	0.47	0.00	2.00	2.40	1.40
/	Sn	S	0.13	1.05	1.32	1.90	0.24	0.41	0.00	2.50	2.20	1.10
T20210P***01A	Sn	L	0.35	1.40	1.65	2.35	0.40	0.68	0.15	2.50	2.20	1.10

F	A3				TOLERANCE	TITLE:	DRAWN: Shen 2022.12.20	KONNRA 东莞市康瑞电子有限公司 DongGuan Konnra Electronics Co.,Ltd. PART NO.: T20210CT0101A REV.: A1 DRAWING NO.: 2021T101-A-S		
	A2				X.X ±0.30	HL 30+4 Terminal	CHECKED:			
	A1	NEW DWG	Shen	2022.12.20	X.XX ±0.20		APPROVED:			
	MARK	REVISION DESCRIPTION	SIGNATURE	DATE	X.XXX ±0.10	UNIT: mm	SCALE: 1/1			
	1	2	3	4	5	6	7	8	9	