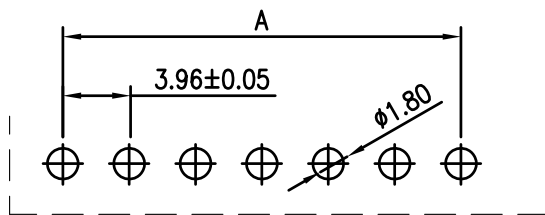
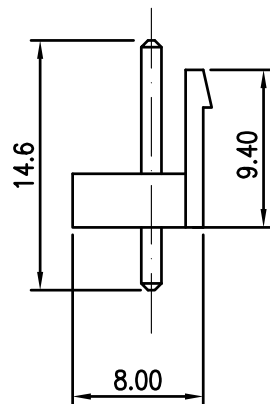
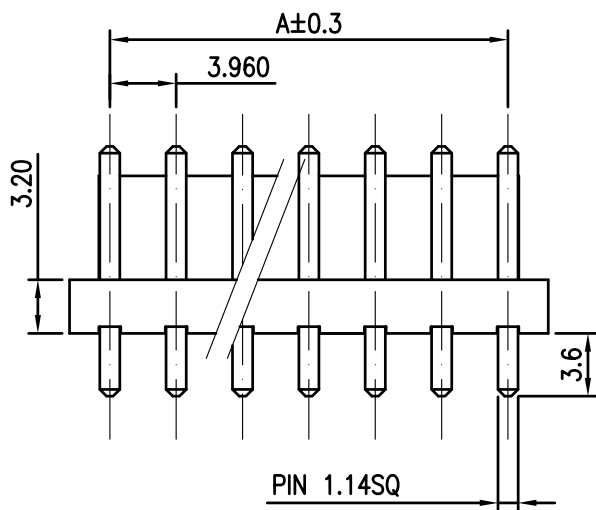
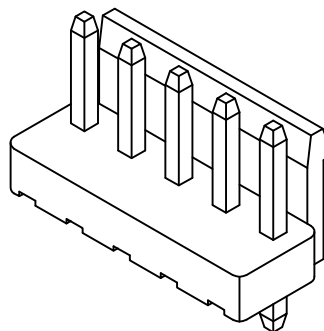
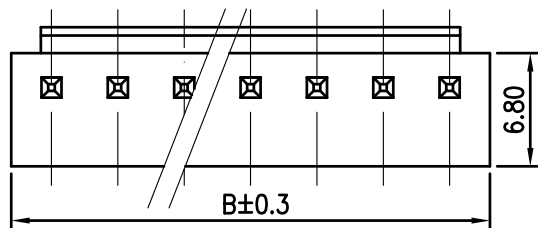


RoHS
COMPLIANT



Recommended P.C.B. Layout
Total tolerance:±0.05mm

SPECIFICATIONS

1. Current rating: 7A AC, DC
2. Voltage rating:250V AC,DC
3. Temperature range: -40°C ~ +105°C
4. Insulation resistance: 1000MΩ/ min.
5. Withstanding voltage: 1500V AC/ minute.
6. Contact resistance: 20mΩ/ max.

Material:

Insulator: PA66 UL94 V-0
Contact: Brass
Plating: Tin plated over Nickel
Mate With KR3961 Series Housing

Ordering Code:

C3961VD xxx 01 T01 01PA
No.of Circuits 102:2,116:16 Plating T01: Tin plated
Insulator Material 01:PA66 White V0

Circuits	Dimensions		Circuits	Dimensions	
	A	B		A	B
2	3.96	7.92	10	35.64	39.60
3	7.92	11.88	11	39.60	43.56
4	11.88	15.84	12	43.56	47.52
5	15.84	19.80	13	47.52	51.48
6	19.80	23.76	14	51.48	55.44
7	23.76	27.72	15	55.44	59.40
8	27.72	31.68	16	59.40	63.36
9	31.68	35.64			



Change the part number and frame format

Arvin

2020.05.08

TOLERANCE
X.X ±0.30
X.XX ±0.20
X.XXX ±0.10
Angle ±2°

TITLE:
VH3.96 DIP 180°
Wafer

DRAWN: Arvin 2020.05.08

CHECKED:

APPROVED:

KONNRA 东莞市康瑞电子有限公司
DongGuan Konnra Electronics Co.,Ltd.

PART NO.:C3961VD***01T0101PA

MARK

REVISION DESCRIPTION

SIGNATURE

DATE

UNIT:mm SCALE:N/A

SHEET:1/1

PROJECTION

REV.:A2

DRAWING NO.:3961WVD101-A-S

1

2

3

4

5

6

7

8

9