

RoHS
COMPLIANT

PIN	SIGNAL NAME	PIN	SIGNAL NAME
A1	GND	B12	GND
A2		B11	
A3		B10	
A4	VBUS	B9	VBUS
A5	CC1	B8	SBU2
A6	Dp1	B7	Dn2
A7	Dn1	B6	Dp2
A8	SBU1	B5	CC2
A9	VBUS	B4	VBUS
A10		B3	
A11		B2	
A12	GND	B1	GND

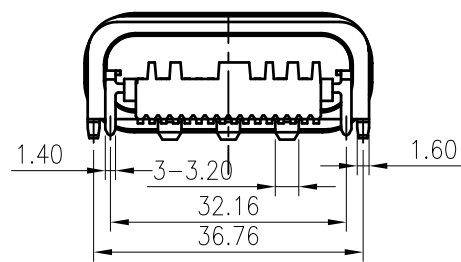
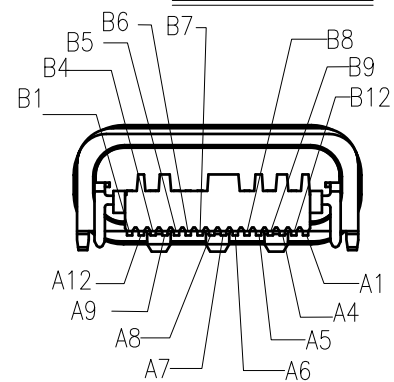
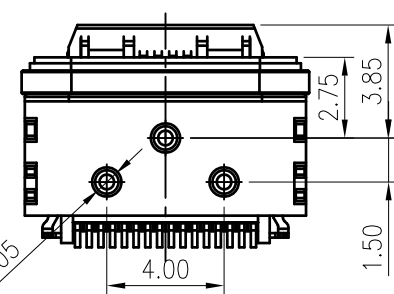
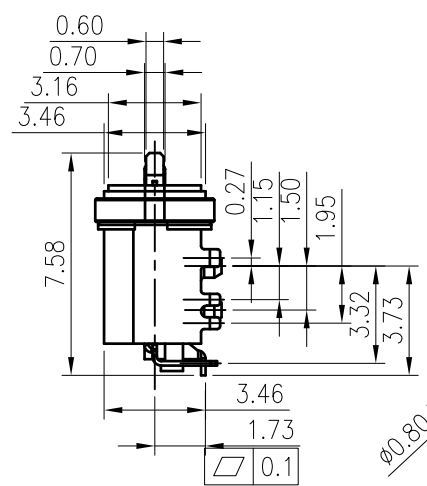
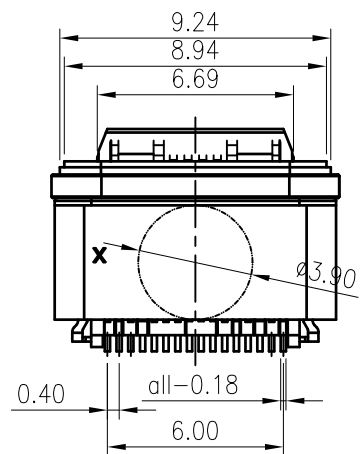
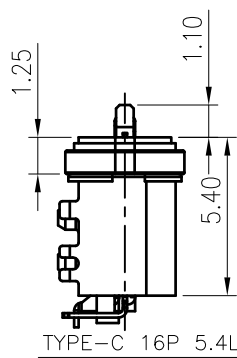
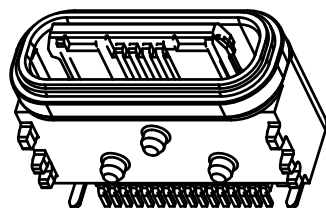
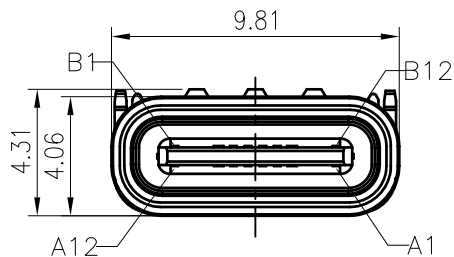
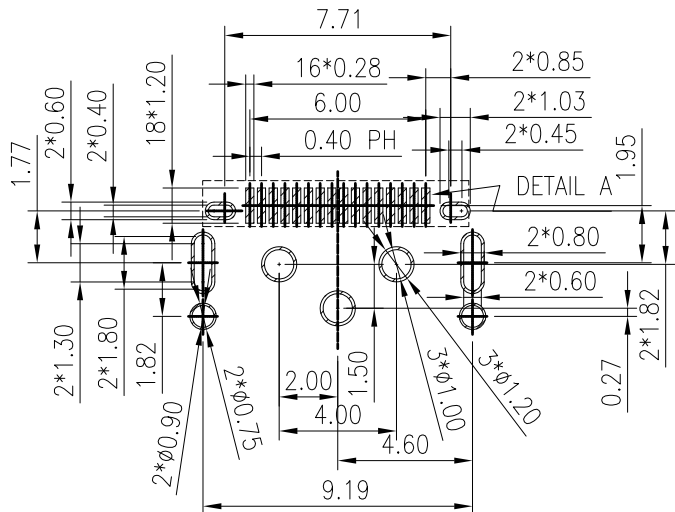


TABLE:

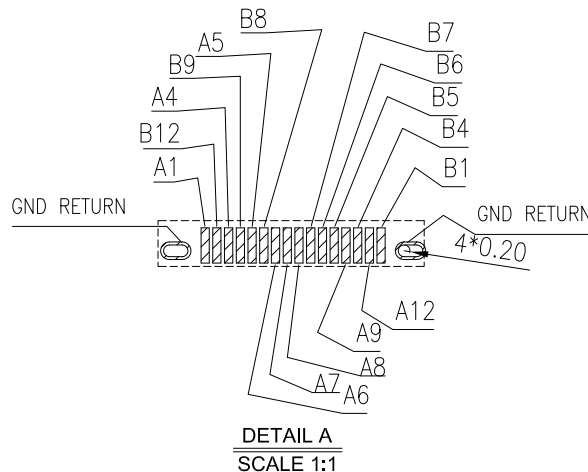
ITEM	PART NAME	QTY	MATERIAL	REMARK
1	SHELL	1PCS	STAINLESS SPCC	NICKEL PLATED 50u" MIN. OVER ALL
2	INSERT HOUSING	1PCS	Nylon PA9T	Black UL94V-0
3	Mid-PLATE	1PCS	STAINLESS SUS304	NI PLATED 50u" MIN. OVER ALL
4	TOP CONTACT	1SET	COPPER ALLOY C2680	GLOD 1u" PLATE (one side brushed with gold)
5	BOTTOM CONTACT	1SET	COPPER ALLOY C2680	
6	RUBBER RING	1PCS	SILICA GEL	BLACK

F					TOLERANCE	TITLE:	DRAWN: 7/7 2023.10.17	KONNRA 东莞市康瑞电子有限公司 DongGuan Konnra Electronics Co.,Ltd.		
					X.X ±0.30	TYPE-C 16P Waterproof	CHECKED:			
					X.XX ±0.20	female socket L=6.50	APPROVED:	PART NO.: U04S0017R		
MARK	REVISION DESCRIPTION	SIGNATURE	DATE	Angle ±2°	UNIT:mm	SCALE:N/A	SHEET: 1/3	PROJECTION	REV.: A01	DRAWING NO.: U04S0017R-S

RoHS
COMPLIANT

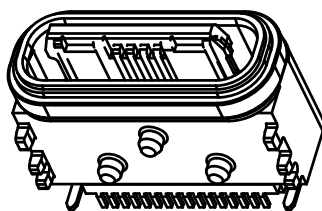
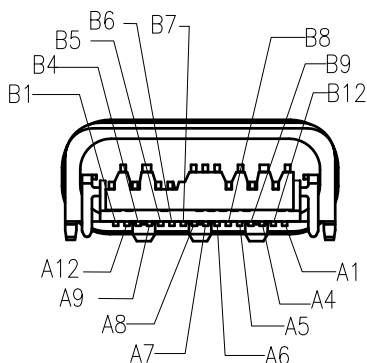


Recommended P.C.B. Layout
Total tolerance:±0.05mm



NOTES:

- 1.ELECTRICAL:
 - 1.1.CONTACT CURRENT RATING 5.0A FOR VBUS AND GND(PINS A4 A9 B4 B9)
 - 1.2. INSULATION RESISTANCE: 100 MEGAOHMS MIN. AT 250VDC.
 - 1.3.DIELECTRIC WITHSTANDING VOLTAGE: 100VAC MIN.
 - 1.4.LOW CONTACT RESISTANCE: INITIAL 40mΩ MAX. AFTER 50mΩ MAX.
2. MECHANICAL CHARACTERISTICS:
 - 2.1.INSERTION FORCE:5N~20N.
 - 2.2.EXTRACTION FORCE: 8N~20N FORM 1 TO 1000CYCLES. 6~20N FORM 1001 TO 10000CYCLES.
 - 2.3.DURABILITY:10,000 MATING CYCLES
 - 2.4.OPERATING TEMPERATURE:-55°C TO +85°C
3. COPLANARITY:0.08MAX.
- 4.INSPECTION SYMBOL: IMPORTANCE INSPECTION.
5. Waterproof Level:IPX8



MARK

REVISION DESCRIPTION

SIGNATURE

DATE

TOLERANCE

X.X ±0.30

X.XX ±0.20

X.XXX ±0.10

Angle ±2°

TITLE:

TYPE-C 16P Waterproof

female socket L=6.50

CH=1.73

Board in Terminal SMT(WP8)

UNIT:mm

SCALE:N/A

DRAWN:

7/7 2023.10.17

CHECKED:

APPROVED:

SHEET:2/3

PROJECTION

KONNRA 东莞市康瑞电子有限公司

DongGuan Konnra Electronics Co.,Ltd.

PART NO.:U04S0017R

REV.:A01

DRAWING NO.:U04S0017R-S

1

2

3

4

5

6

7

8

9