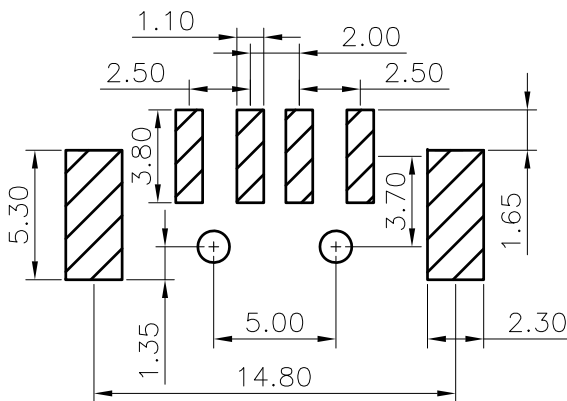
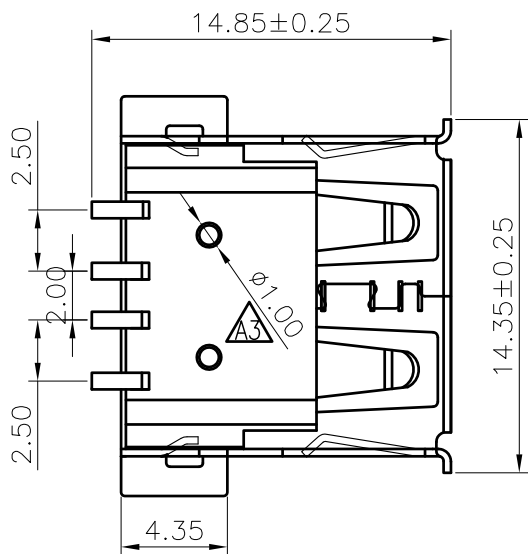
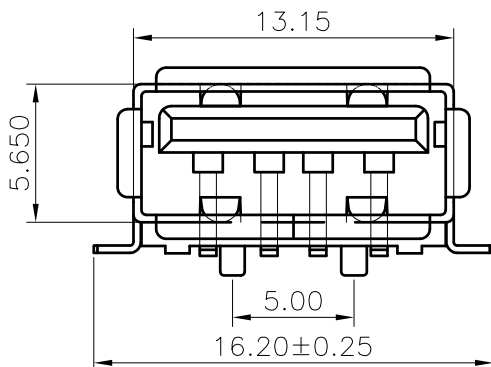
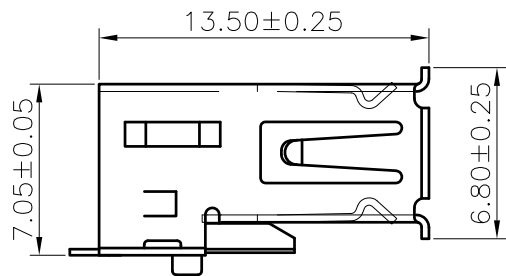


RoHS
COMPLIANT



Recommended P.C.B. Layout
Total tolerance:±0.05mm

◆SPECIFICATIONS

- Insulation resistance: 1000MΩ Min.
- Withstanding voltage: 500V AC/ minute.
- Contact resistance: 30mΩ Max.

Material:

Insulator: PBT UL 94V-0
Contact: Brass/selective gold plated
Shell: SPCC/ Nickel



MARK

MARK	REVISION DESCRIPTION	SIGNATURE	DATE
A4			
A3	定位柱由φ1.2更改为φ1.0	ZSZ	2022.10.10
A2	更改料号及图框格式	Arvin	2020.03.05

TOLERANCE
X.X ±0.30
X.XX ±0.20
X.XXX ±0.10
Angle ±2°

TITLE:
USB A/F SMT 180°
贴板 带柱

UNIT:mm SCALE:N/A

DRAWN: *Arvin 2020.03.05*
CHECKED:
APPROVED:

SHEET:1/1 PROJECTION

KONNRA 东莞市康瑞电子有限公司
DongGuan Konnra Electronics Co.,Ltd.
PART NO.:U02S0002B
REV.:A3 DRAWING NO.:U02S0002B-Q