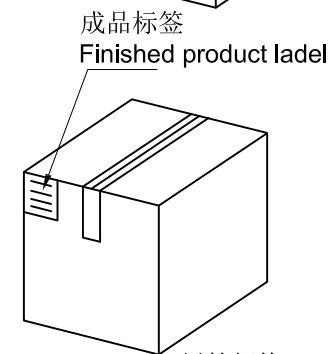
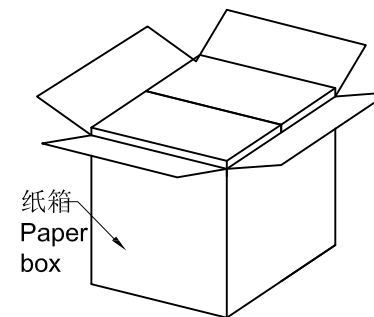
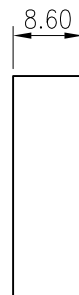
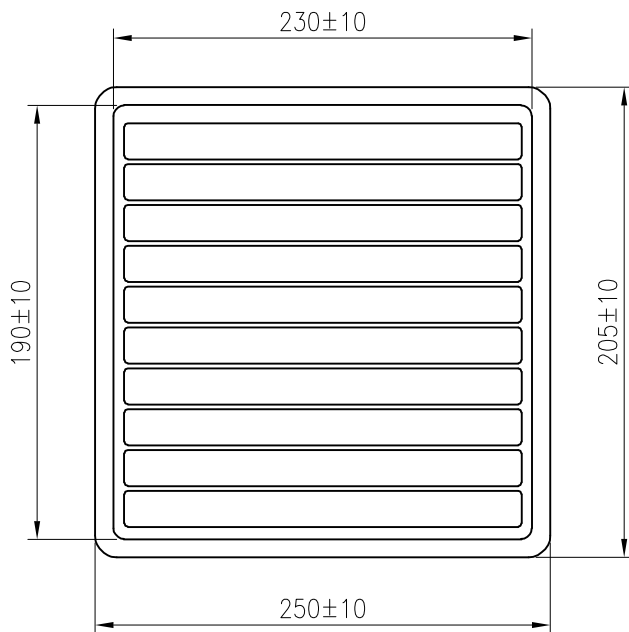


**RoHS**  
COMPLIANT



纸箱规格: 350\*210\*290  
Carton specification: 350\*210\*290

1. 包装要求:  
1. Packaging requirements:  
1.1 每盒吸塑盒包装100pcs;  
1.1 Each box is packed in blister box:100PCS;  
1.2 每20盘放一箱, 共计2000PCS;  
1.2 One box for every 20disks, totaling 2000PCS;  
1.3 纸箱外贴上标签。  
1.3 Put a label on the outside of the carton.



| MARK | REVISION DESCRIPTION | SIGNATURE | DATE | TOLERANCE   | TITLE:                       | DRAWN:         | KONNRA 东莞市康瑞电子有限公司<br>DongGuan Konnra Electronics Co.,Ltd. |            |          |                         |
|------|----------------------|-----------|------|-------------|------------------------------|----------------|--|------------|----------|-------------------------|
|      |                      |           |      | X.X ±0.30   | USB 3.0 AF 90° L=16.70       | 7/7 2023.10.17 | CHECKED:   |            |          |                         |
|      |                      |           |      | X.XX ±0.20  | H=6.96 Terminal              |                | APPROVED:  |            |          |                         |
|      |                      |           |      | X.XXX ±0.10 | gold-plated G-F,Crimped edge |                | PART NO.:U03S0005B   |            |          |                         |
|      |                      |           |      | Angle ±2°   | UNIT:mm                      | SCALE:N/A      | SHEET:2/2  | PROJECTION | REV.:A01 | DRAWING NO.:U03S0005B-S |